

2A Series

Sealed Sub-Miniature Toggle Switches



SPECIFICATIONS

CONTACT RATING: Dependent upon contact material See page 30.

MECHANICAL LIFE: 30,000 make-and-break cycles.

CONTACT RESISTANCE: 20mΩ max. initial @ 2-4VDC
100mA for both silver and gold plated contacts.

INSULATION RESISTANCE: 1,000MΩ min.

DIELECTRIC STRENGTH: 1,000 V RMS@sea level.

OPERATING TEMPERATURE: -30°C to 85°C.

MATERIALS

CASE & BUSHING - Glass filled nylon 66, flame retardant, heat stabilized (UL 94V-0)

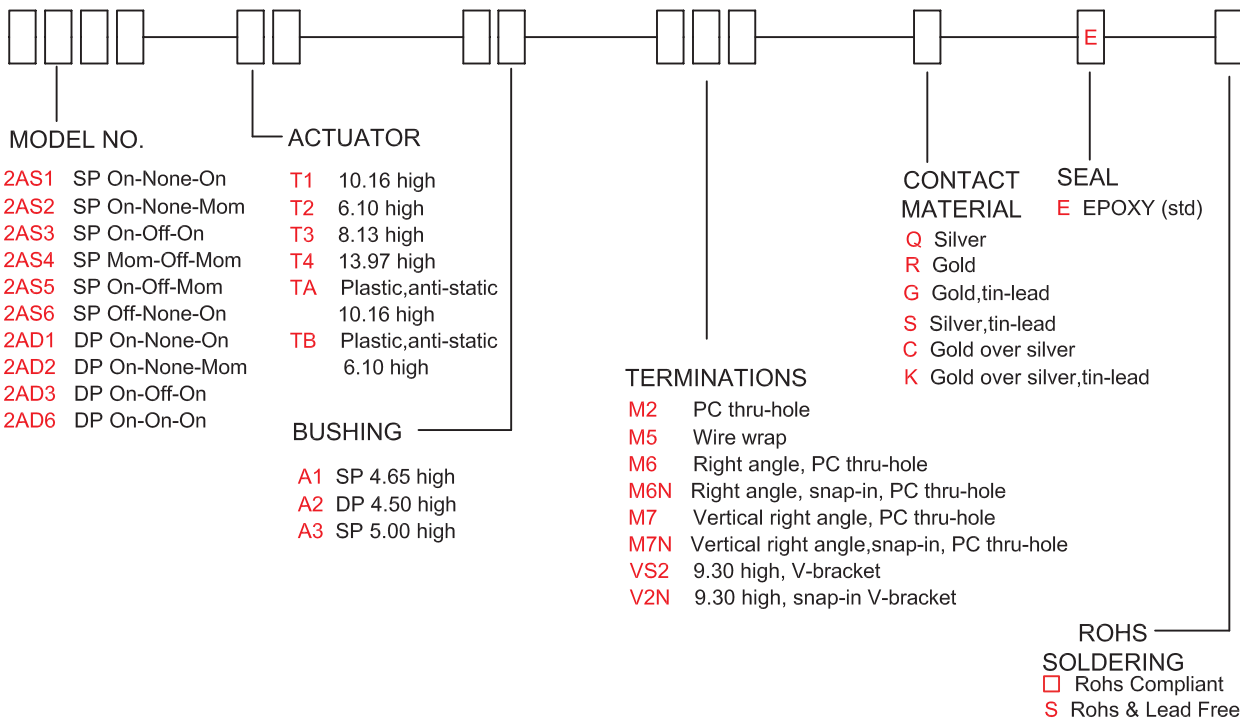
ACTUATOR - Brass, chrome plated, internal O-ring seal. Standard for all actuators.

SWITCH SUPPORT - Brass, tin plated.

CONTACT/TERMINALS - Copper alloy with silver or gold plated. See Page 30.

HOW TO ORDER

MODEL NO. ACTUATOR BUSHING TERMINATIONS CONTACT MATERIAL SEAL ROHS SOLDERING

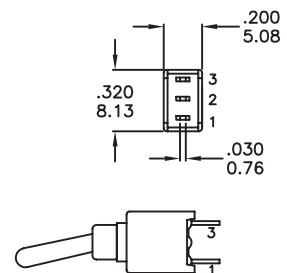
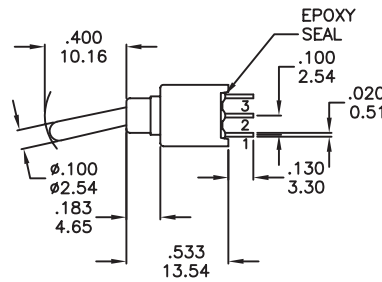
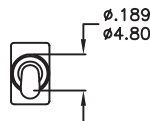


SWITCH FUNCTION

NO. POLES	UL/CSA MODEL NO.	MODEL NO.	SWITCH FUNCTION			CONNECTED TERMINALS / SCHEMATIC		
			POS.1	POS.2	POS.3	POS.1	POS.2	POS.3
SP	Q22A11	2AS1	ON	NONE	ON	2-3 	N/A	2-1
	Q22A12	2AS2	ON	NONE	MOM		OPEN 	
	Q22A13	2AS3	ON	OFF	ON			
	Q22A14	2AS4	MOM	OFF	MOM			
	Q22A15	2AS5	ON	OFF	MOM			
	Q22A16	2AS6	OFF	NONE	ON	OPEN	N/A	3-1
DP	Q22A21	2AD1	ON	NONE	ON	2-3,5-6 	N/A	2-1,5-4
	Q22A22	2AD2	ON	NONE	MOM		OPEN 	
	Q22A23	2AD3	ON	OFF	ON			
	Q22A26	2AD6	ON	ON	ON	2-3,5-6	2-3,5-4	2-1,5-4

MOM=MOMENTARY

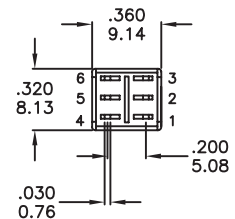
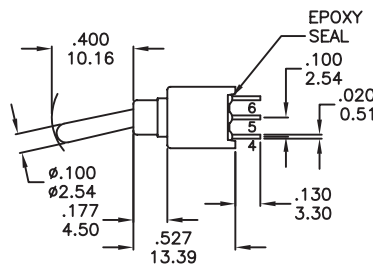
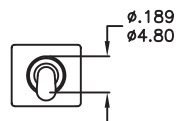
POLE OPTIONS



SPDT

Part No. Shown : 2AS1T1A1M2RE

2AS6 Models : Omit 2nd terminal

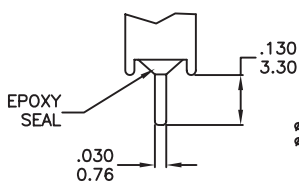


DPDT

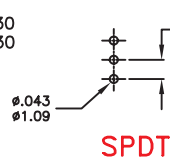
Part No. Shown : 2AD1T1A2M2RE

TERMINATION OPTIONS

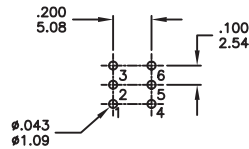
M2



P.C. MOUNTING



SPDT



DPDT

OTHER TERMINATION OPTIONS

M6 RIGHT ANGLE P.C. MOUNT

M6N RIGHT ANGLE P.C. MOUNT
SNAP-IN BRACKET

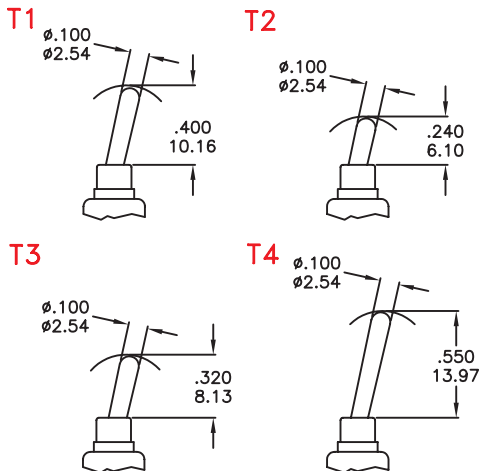
M7 RIGHT ANGLE P.C. MOUNT

VS2 VERTICAL BRACKET P.C.MOUNT

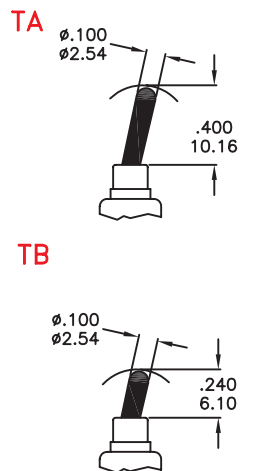
2A Series

Sealed Sub-Miniature Toggle Switches

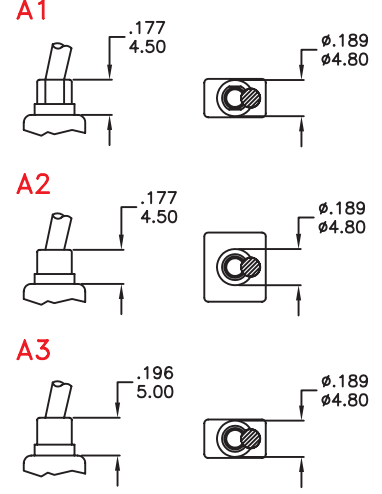
ACTUATOR OPTIONS BUSHING OPTIONS



Actuator shown with A1 Bushing, sub .013(0.34) for A3 Bushing.

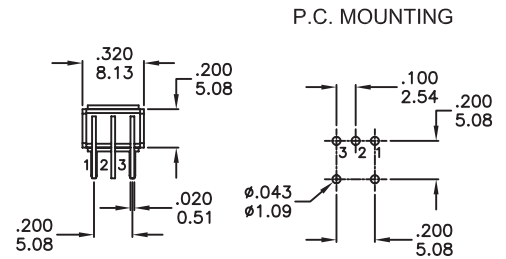
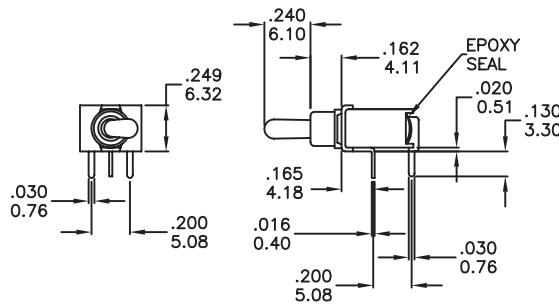


ESD
 PLASTIC ACTUATOR



A1 A3 FOR SPDT
 A2 FOR DPDT

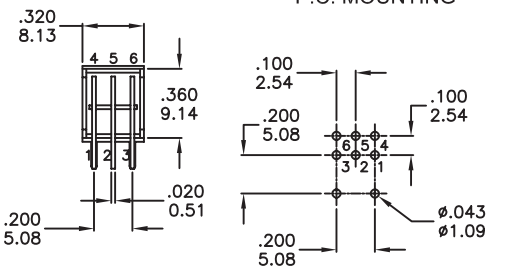
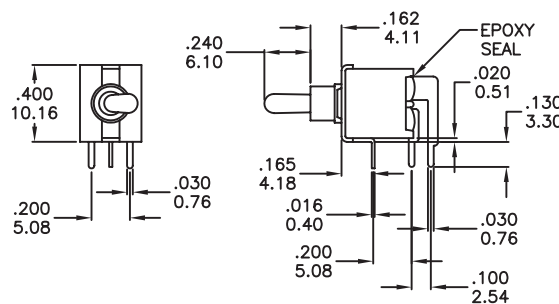
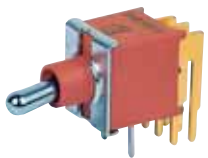
M6



SPDT

Part No. Shown : 2AS1T2A1M6RE

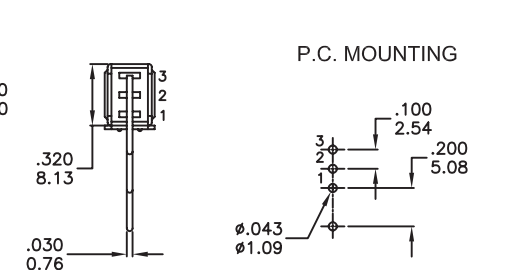
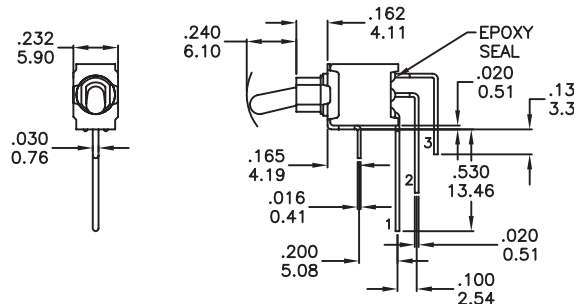
M6



DPDT

Part No. Shown : 2AD1T2A2M6RE

M7



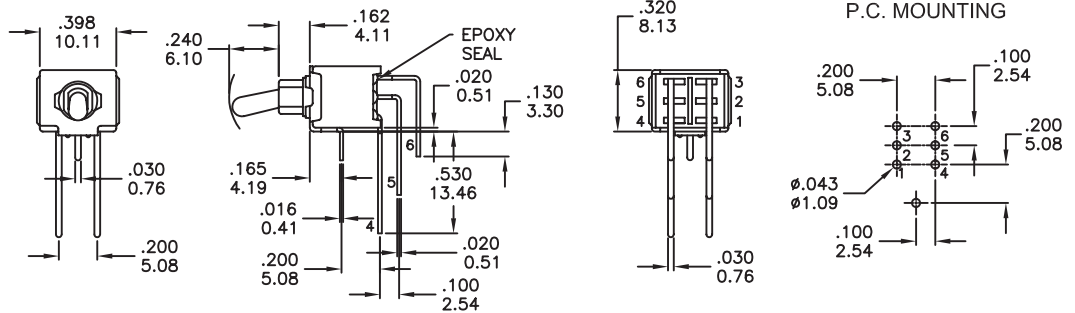
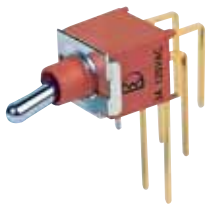
SPDT

Part No. Shown : 2AS3T2A1M7RE

2A Series

Sealed Sub-Miniature Toggle Switches

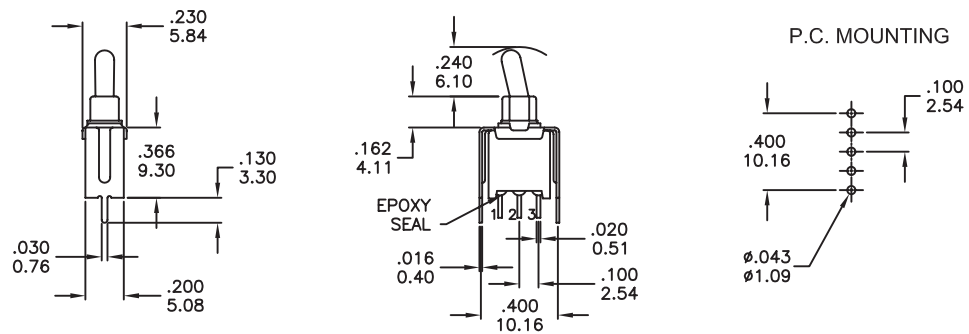
M7



DPDT

Part No. Shown : 2AD1T2A2M7RE

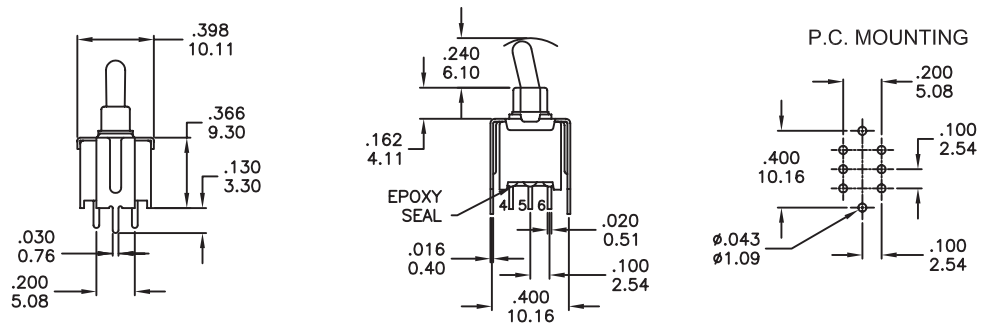
VS2



SPDT

Part No. Shown : 2AS1T2A1VS2RE

VS2

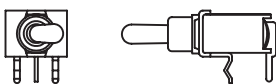


DPDT

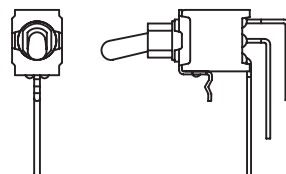
Part No. Shown : 2AD1T2A2VS2RE

SNAP - IN TERMINATION OPTIONS

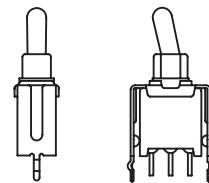
M6N



M7N



V2N



CONTACT MATERIAL OPTIONS

	<u>C.K</u>	<u>R.G</u>
R =Gold		
G =Gold,tin-lead	FIXED TERMINAL: Silver plated over copper alloy	FIXED TERMINAL: Copper alloy with gold plated over nickel plated
C =Gold over silver	MOVABLE CONTACT: Silver plated over copper alloy	MOVABLE CONTACT: Copper alloy with gold plated over nickel plated
K =Gold over silver ,tin-lead	RATING: 3 Amps with resistant load @ 120VAC or 28VDC 1 Amps with resistant load @ 250VAC	RATING: 0.4 Volt-Amps(VA)max. @ 20V max. (AC or DC)



IP 67
 ACCORDING TO
 EN 60529:1991+A1:2001
 IEC 60529:2001

SOLDERING PROCESSES

MANUAL SOLDERING : Use soldering iron of 30 watts, controlled at 350°C approximately 5 seconds while applying solder.

WAVE SOLDERING : Recommended Soldering Temperature:260±5°C
 Duration of Solder Immersion: 5 ±1 seconds
 (PCB is 1.6mm in thickness)

SOLDERING : Vapor phase

Temperature Profile

Zone	Room temperature	Time (Sec)
Pre-heat (A)	150°C	Min 120s
Soak (B)	180°C~200°C	Min 150s
Peak (C)	200°C~235°C	Min 30s
Peak (D)	235°C~260°C	Min 40s
Peak (E)	260°C	Max 10s

