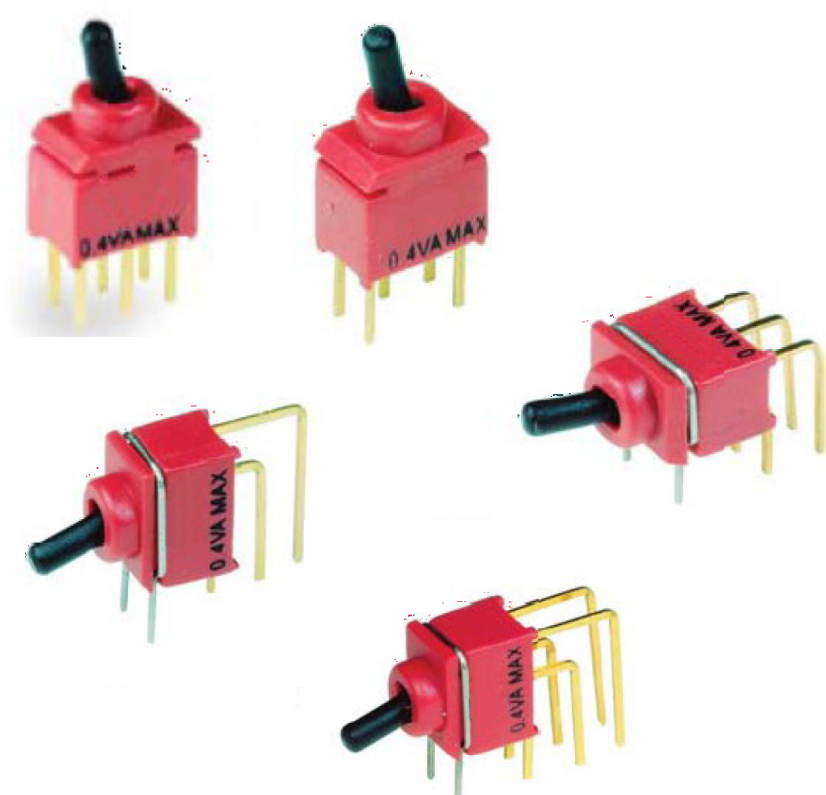


Sealed Ultraminiature Toggle Switches **2U SERIES**



SPECIFICATIONS

- MECHANICAL LIFE:** 40,000 make-and-break cycles.
- CONTACT RATING:** 0.4 VA max. @ 20 V AC or DC max.
- CONTACT RESISTANCE:** Below 100 mΩ typ. initial @ 2-4 V DC, 100 mA.
- INSULATION RESISTANCE:** 500 MΩ min.
- DIELECTRIC STRENGTH:** 500 V RMS@ sea level.
- OPERATING TEMPERATURE:** -30°C to 85°C

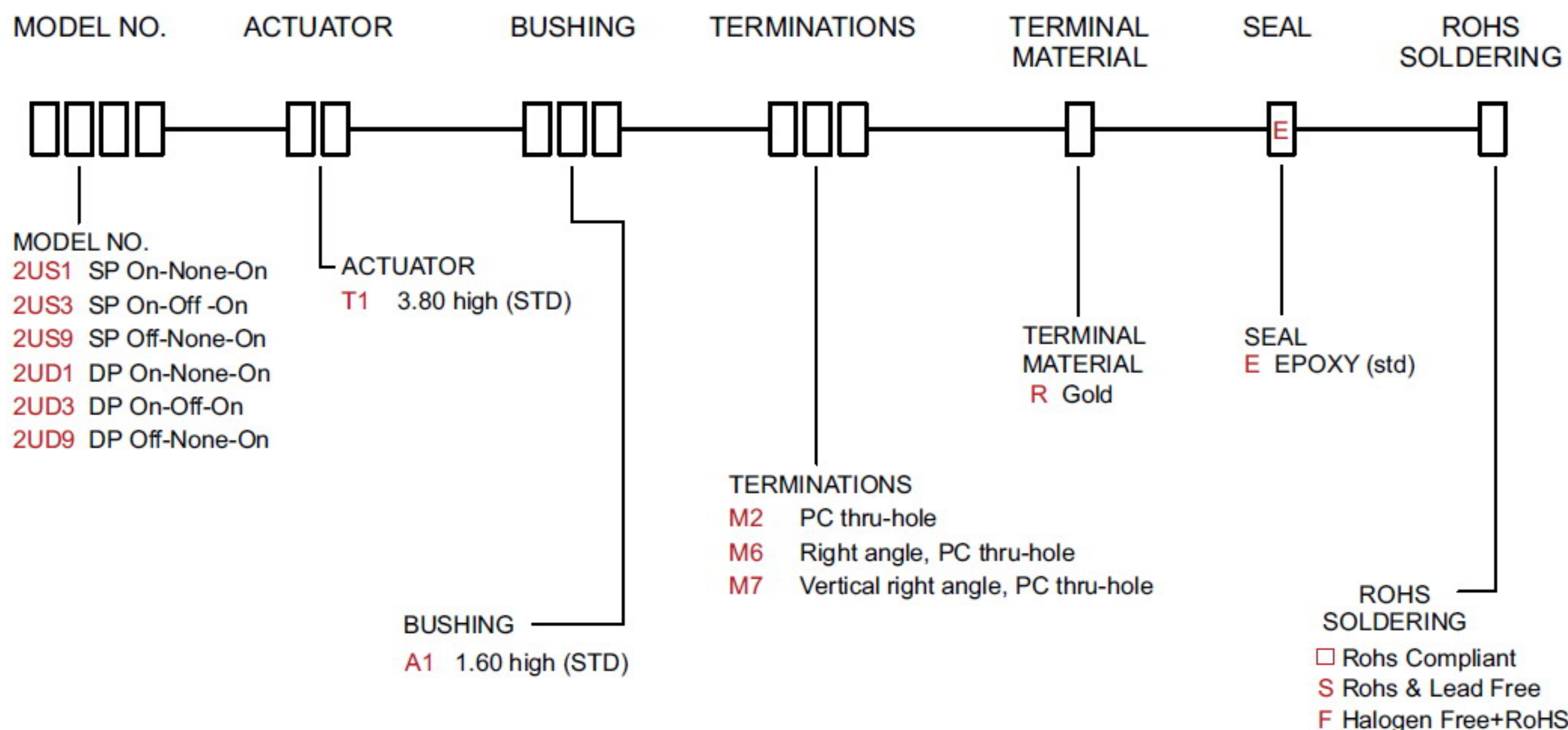
MATERIALS

- HOUSING AND BASE:** Glass filled nylon 6/6 or 4/6 , flame retardant,heat stabilized (UL94V-0)
- ACTUATOR:** Glass filled nylon 6/6 , flame retardant, heat stabilized(UL94V-0), with standard internal o-ring seal.
- SWITCH SUPPORT:** Steel,with nickel plate.
- CONTACT / TERMINALS:** Silver or gold plated Copper alloy.



IP 67
ACCORDING TO
EN 60529:1991+A1:2001
IEC 60529:2001

HOW TO ORDER



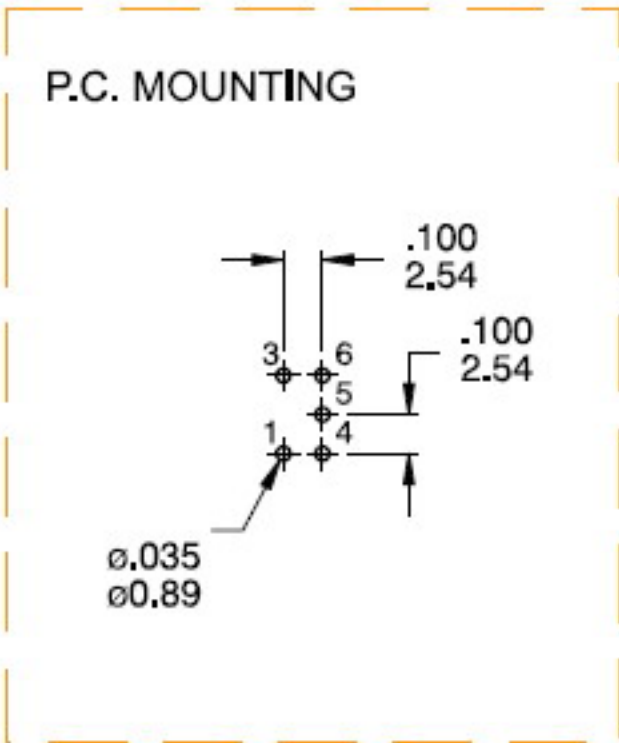
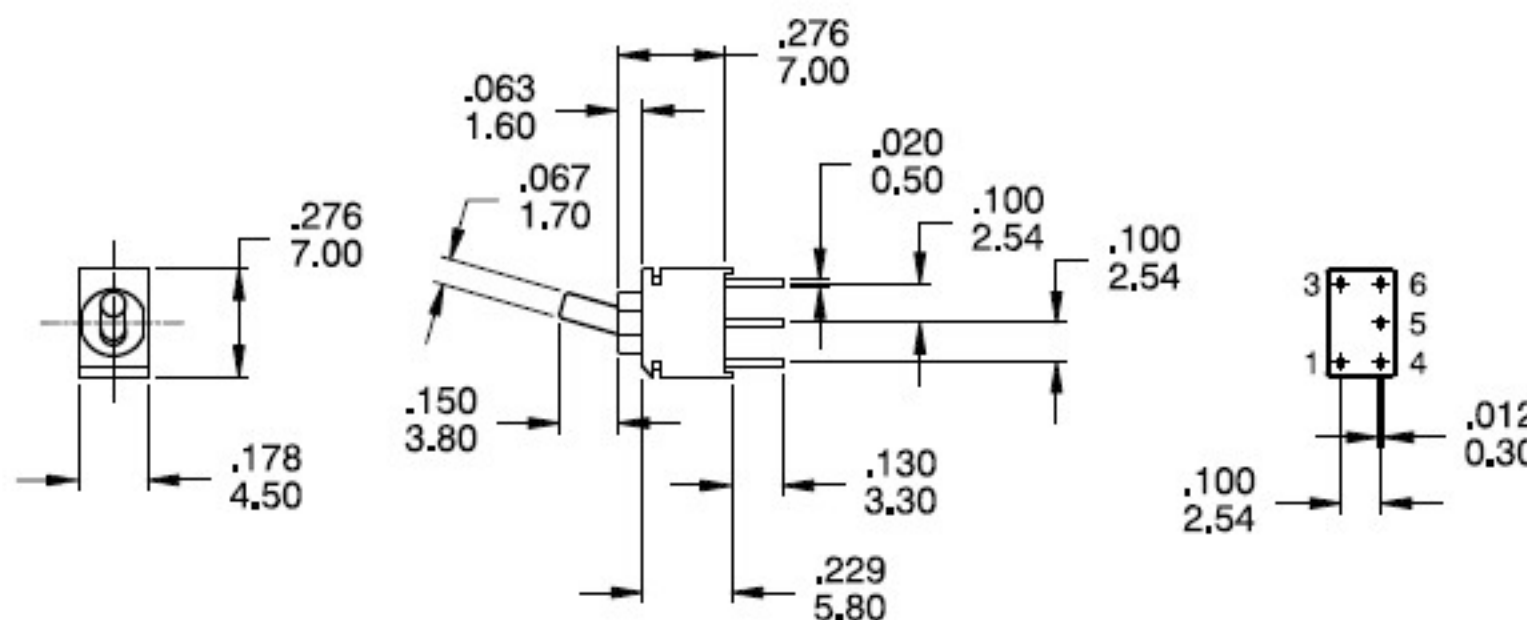
SWITCH FUNCTION

NO. POLES	MODEL NO.	SWITCH FUNCTION			CONNECTED TERMINALS / SCHEMATIC		
		POS.1	POS.2	POS.3	POS.1	POS.2	POS.3
SP	2US1	ON	NONE	ON	5-6	N/A	5-4
	2US3	ON	OFF	ON		OPEN	
	2US9	OFF	NONE	ON	OPEN	N/A	4-6
DP	2UD1	ON	NONE	ON	2-3,5-6	N/A	2-1,5-4
	2UD3	ON	OFF	ON		OPEN	
	2UD9	OFF	NONE	ON	OPEN	N/A	

MOM=MOMENTARY

POLE OPTIONS

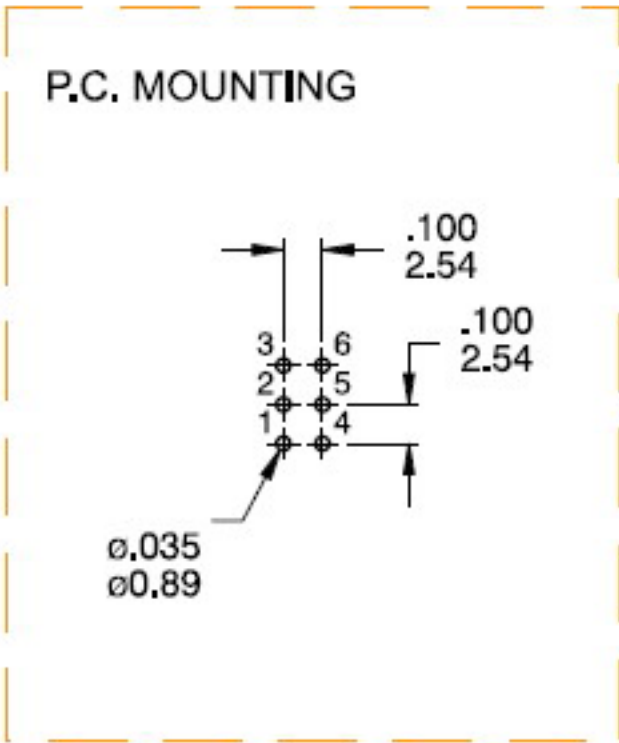
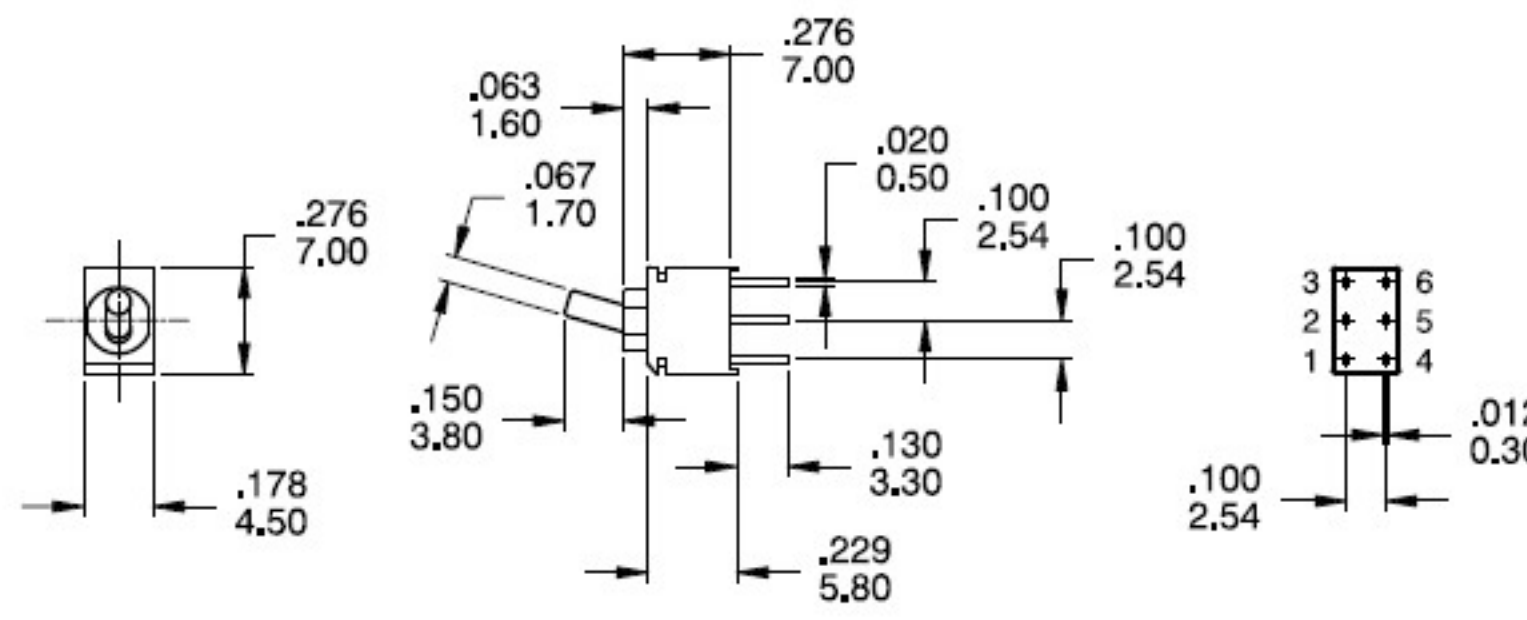
M2



SPDT

Part No. Shown : 2US1T1A1M2RE

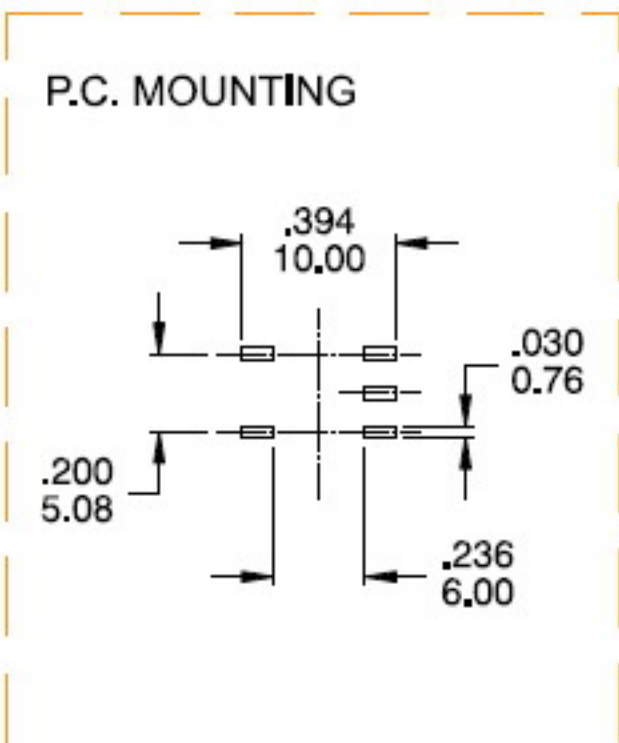
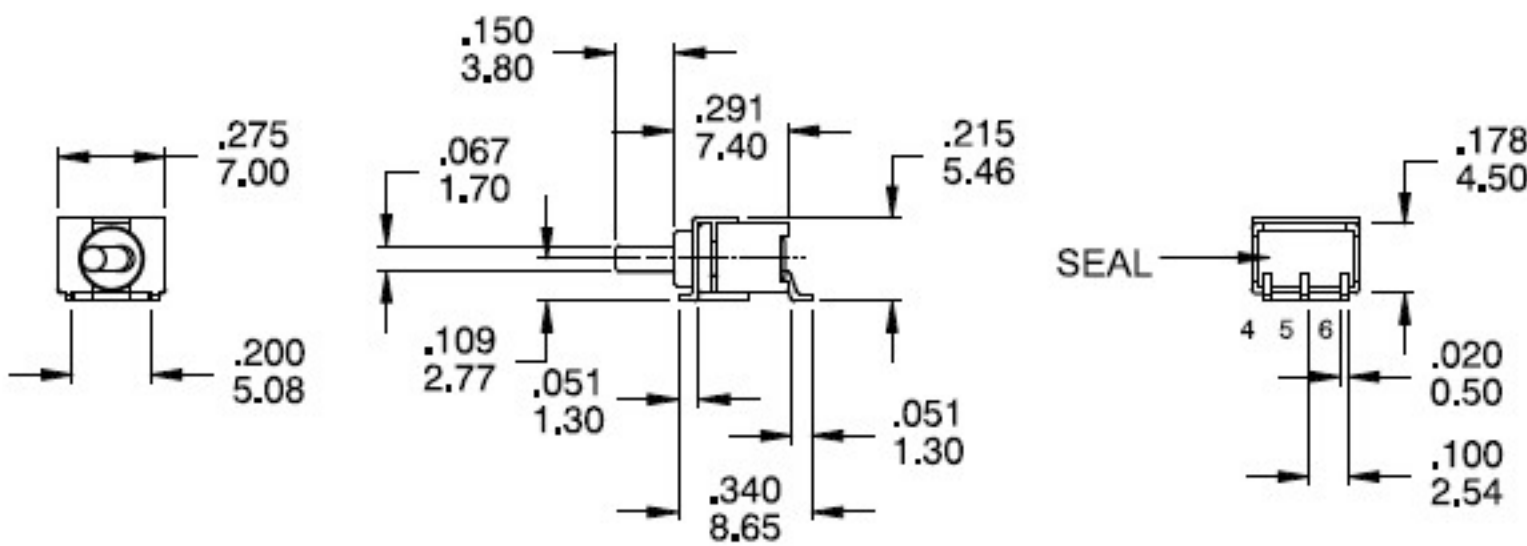
M2



DPDT

Part No. Shown : 2UD1T1A1M2RE

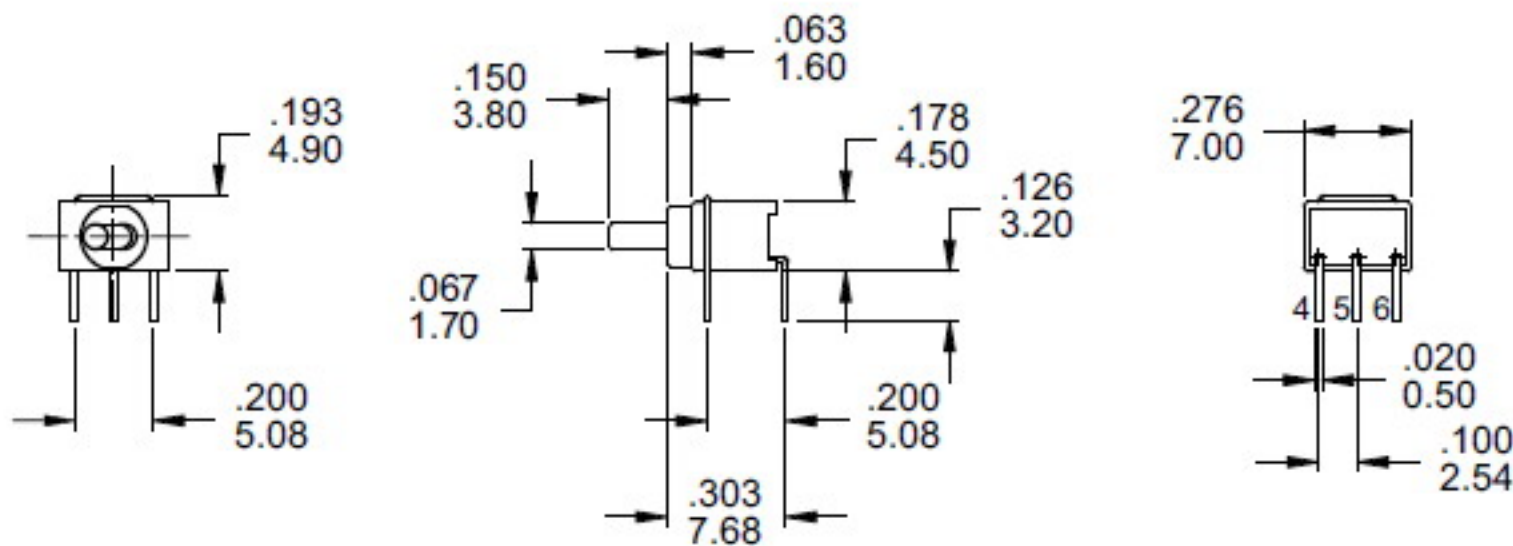
MZ



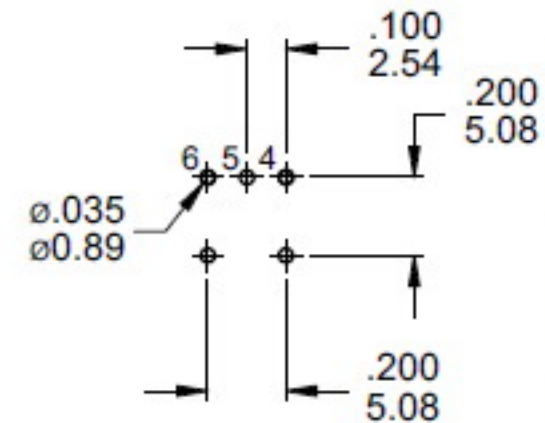
SPDT

Part No. Shown : 2US1T1A1MZRE

M6



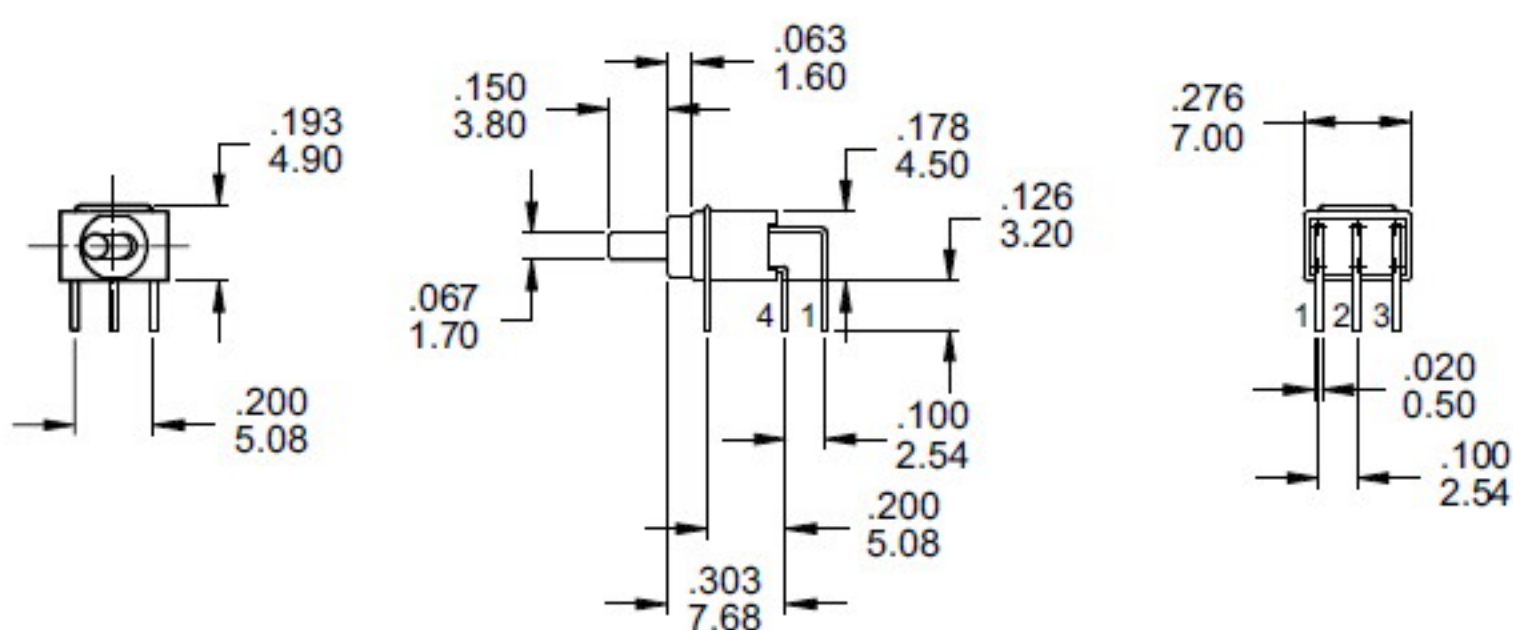
P.C. MOUNTING



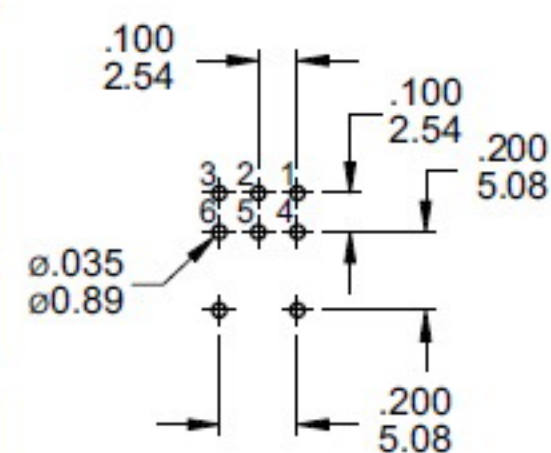
SPDT

Part No. Shown : 2US1T1A1M6RE

M6



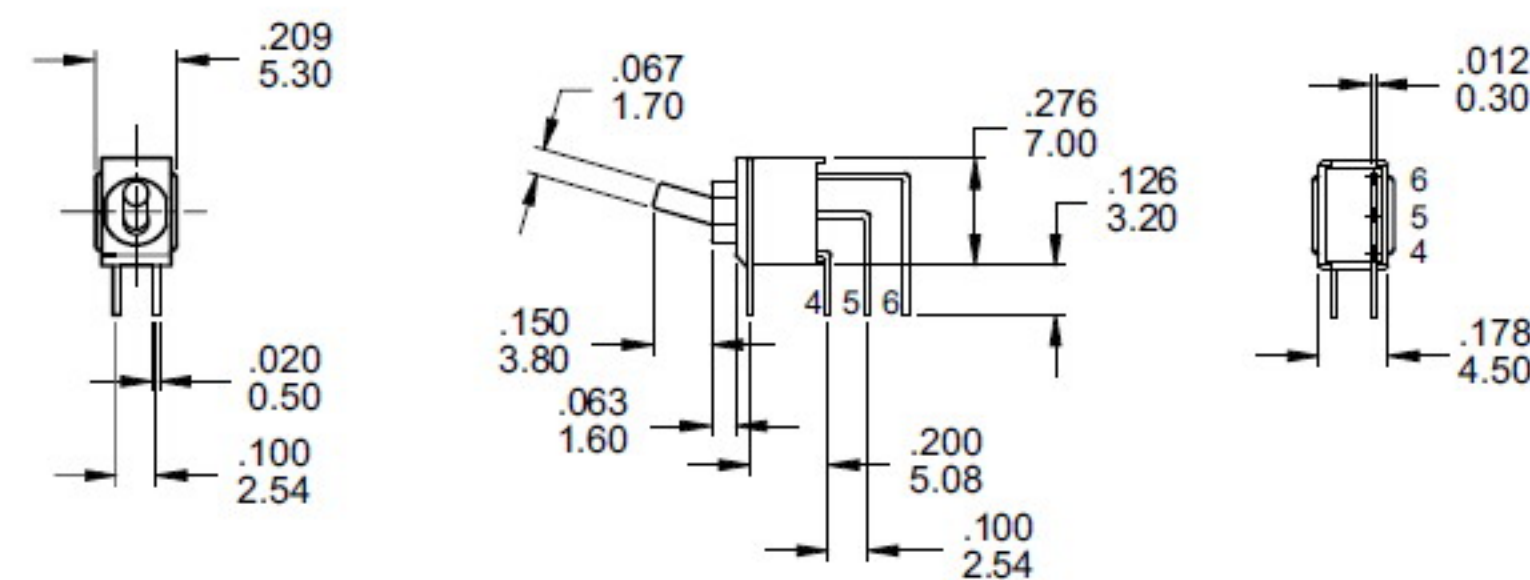
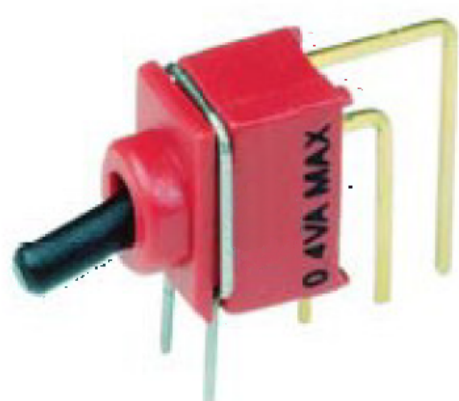
P.C. MOUNTING



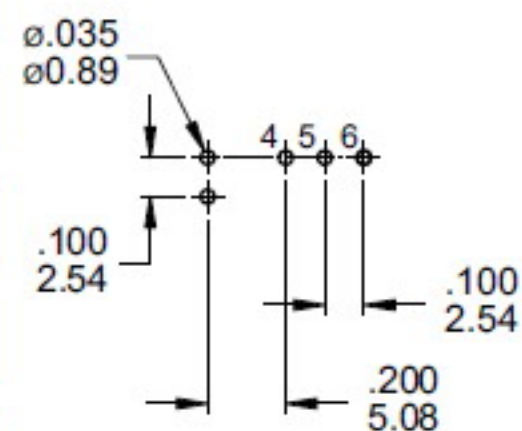
DPDT

Part No. Shown : 2UD1T1A1M6RE

M7



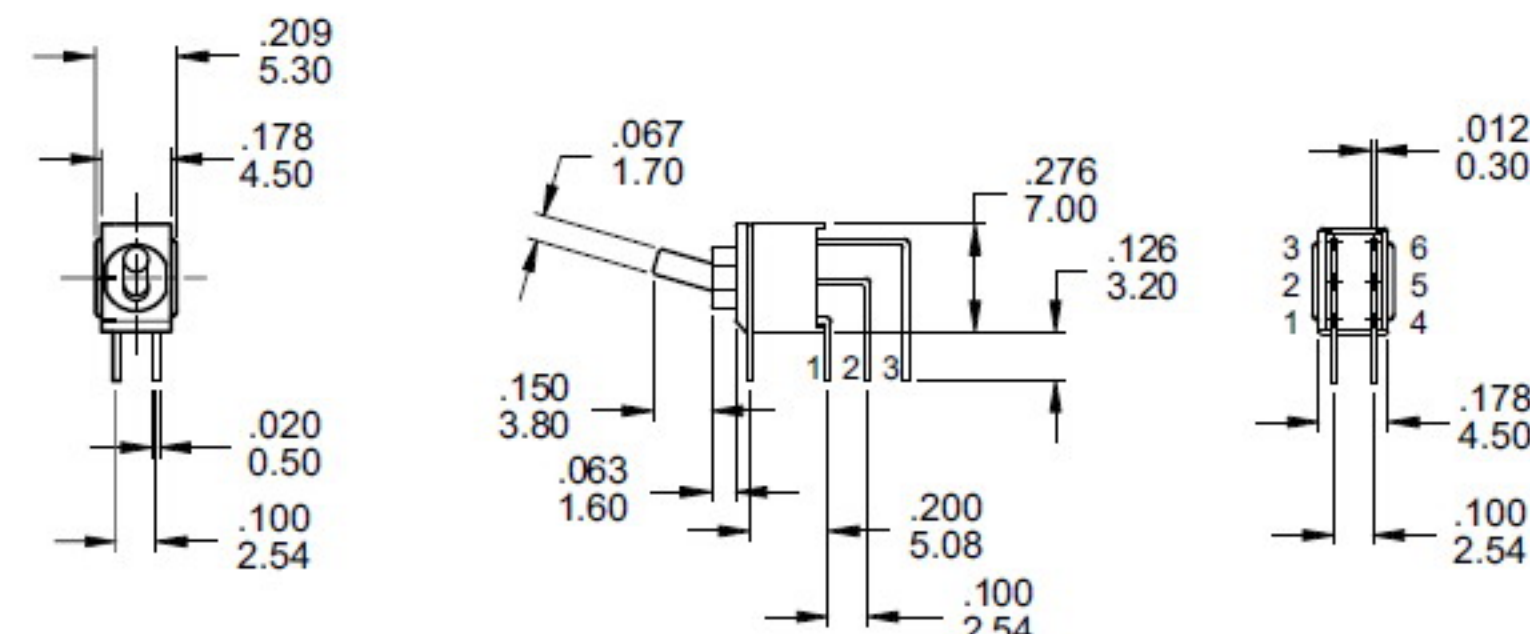
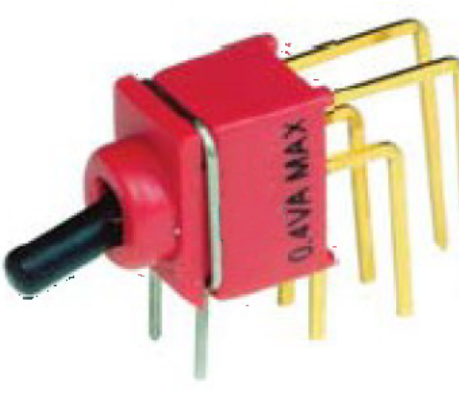
P.C. MOUNTING



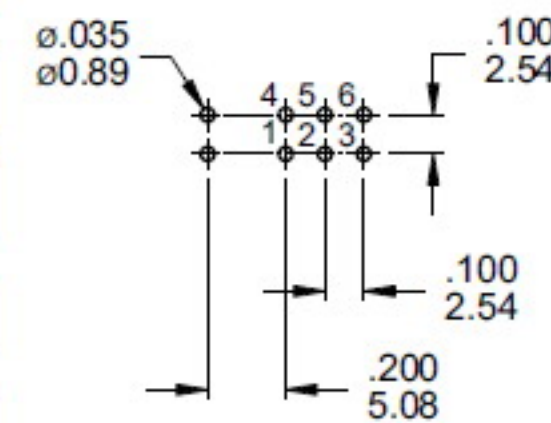
SPDT

Part No. Shown : 2US1T1A1M7RE

M7



P.C. MOUNTING



DPDT

Part No. Shown : 2UD1T1A1M7RE

SOLDERING PROCESSES

WAVE SOLDERING : Recommended Soldering Temperature : $260 \pm 5^{\circ}\text{C}$

Duration of Solder Immersion : Max 5sec.

(PCB is 1.6mm in thickness)

SOLDERING : Vapor phase

Temperature Profile

Zone	Room Temperature	Time (Sec)
Pre-heat (A)	150°C	Min 120s
Soak (B)	$180^{\circ}\text{C} \sim 200^{\circ}\text{C}$	Min 150s
Peak (C)	$200^{\circ}\text{C} \sim 235^{\circ}\text{C}$	Min 30s
Peak (D)	$235^{\circ}\text{C} \sim 260^{\circ}\text{C}$	Min 40s
Peak (E)	260°C	Max 5s

