

## **Model : 3A-HV**

### **Application:**

Beach ATV (All Terrain Vehicle) or Automatic machines thermal protection.

### **Feature:**

Honest-Well Bimetal thermal switch T23 Series -

We can customize this bimetal thermostat according to client's needs.

This snap action temperature switch in three single-pole, single-throw (SPST) switch actions:

Automatic Reset – either open or close its contacts on temperature rise.

Manual Reset – Available with contacts that open on temperature rise. The contacts must be reset by pressing the button after the device cools down.

One shot – Available with contacts that open on temperature rise, and which never reclose unless the ambient temperature drops below  $-35^{\circ}\text{C}$ .

### **Specification:**

Temperature range :  $50\sim 150^{\circ}\text{C}$

Rating : 1A / 24V DC ; 10A / 250V AC

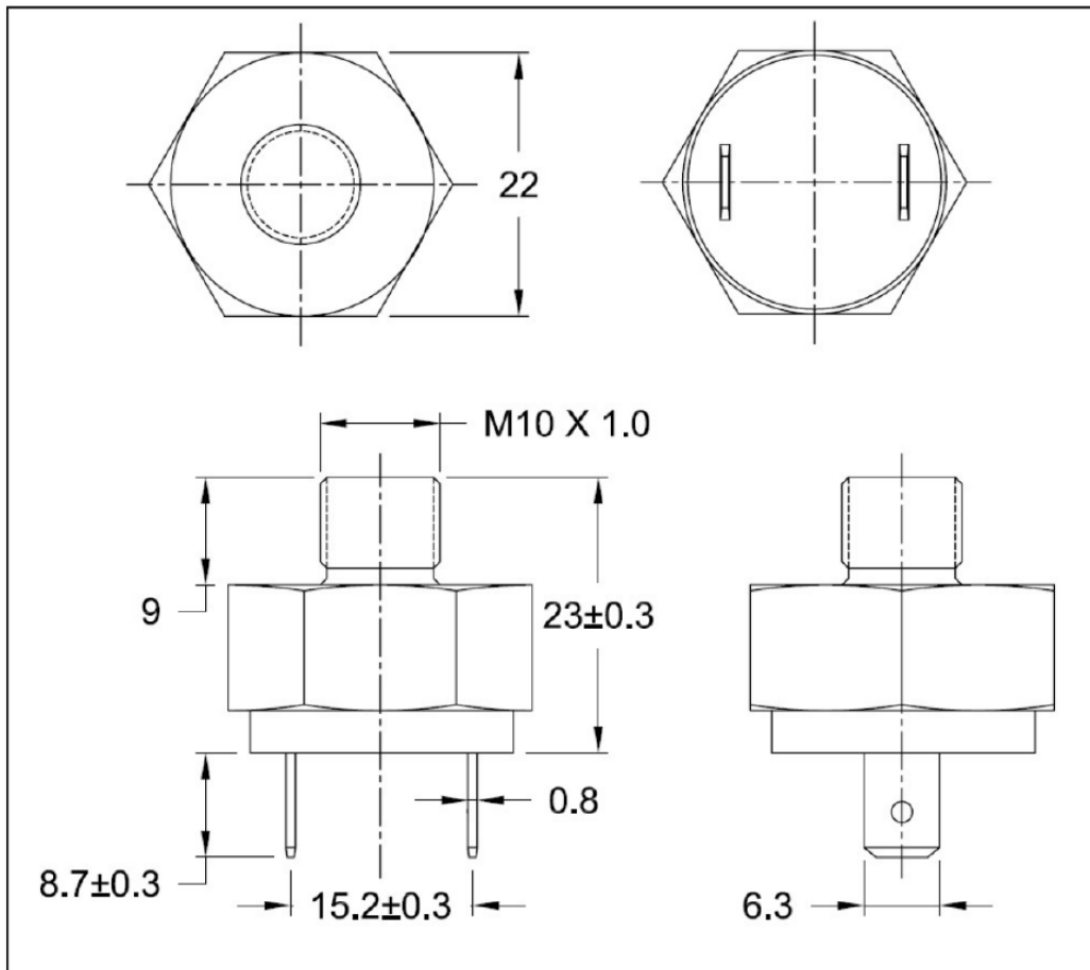
Contact resistance : 50m Ohm (Max)

Withstand voltage : 1800V

Life endurance : 100,000 cycles



**Dimension:**



紘緯科技股份有限公司

**Honest-Well Co., Ltd.**

新北市中和區中山路 2段450號3F

3F., No.450, Sec. 2, Zhong-San Rd., Zhong-He District, New Taipei City, Taiwan

Tel: +886-2-2222-2398; Fax: +886-2-2222-2508



<http://www.honest-well.com.tw>