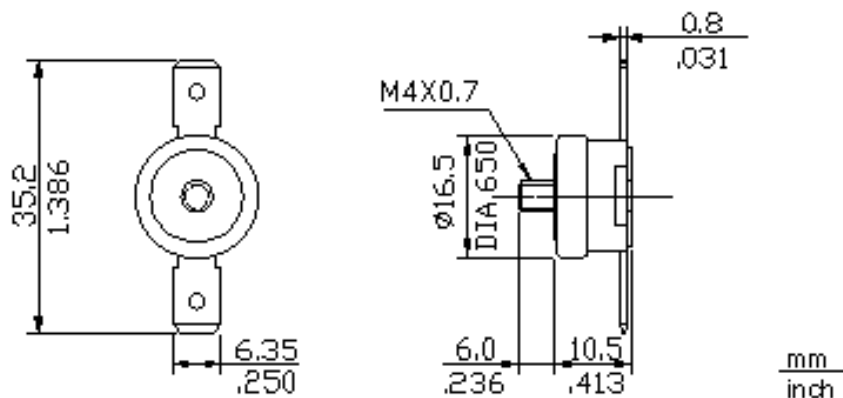
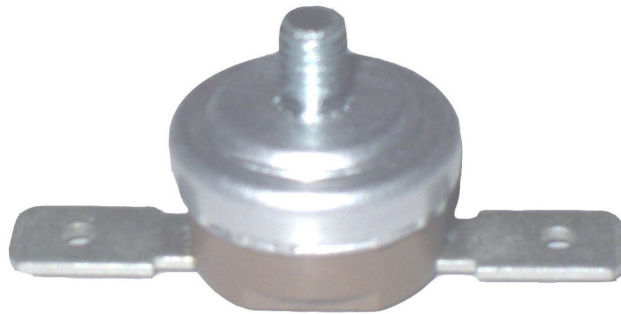


## 3A-RF2-A



\*Electrical Rating: 16A/250V AC 15A/125V AC 10A/250V AC

\*Operation Temp: 0°C ~180(VDE)  
50°C ~205°C (UL/CUL)

\*Differential: 10K~30K

\*Calibration Method: 1°C/min. Air circulation furnace

\*Temp. Tolerance:  $\pm 3K$  /  $\pm 5K$

\*Heat Durability: 180°C \*2Hr MAX.

\*Circuit Resistance: 50 m $\Omega$  MAX.

\*Insulation Resistance: 100M $\Omega$  min. at DC 500V

\*Dielectric Strength: AC1000V for One Minute or AC 1800V for One Second(Leak current: 0.5mA)

\*Operation life: 100,000 Cycles(15A 125V AC / 10A 250V AC)  
10,000 Cycles(16A 250V AC)