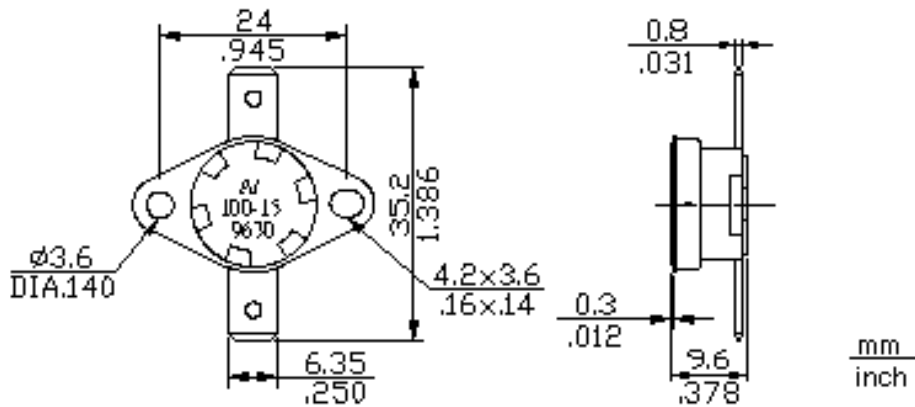


3A-XF2 (FIXED BRACKET)



*Electrical Rating: 16A/250V AC 15A/125V AC 10A/250V AC

*Operation Temp: 0°C~180(VDE)

50°C~205°C (UL/CUL)

*Differential:10K~30K

*Calibration Method:1°C/min. Air circulation furnace

*Temp. Tolerance: ±3K / ±5K

*Heat Durability: 220°C MAX.

*Heat Durability: 180°C *2Hr MAX.

*Circuit Resistance:50 mΩ MAX.

*Insulation Resistance: 100MΩ min. at DC 500V

*Dielectric Strength:AC1000V for One Minute or AC 1800V for One Second(Leak current:0.5mA)

*Operation life:100,000 Cycles(15A 125V AC / 10A 250V AC)

10,000 Cycles(16A 250V AC)

**Copyright © 2006 HONEST-WELL CO., LTD. ALL RIGHTS RESERVED.
3F, NO.450, SEC. 2, CHUNG-SAN RD., CHUNG-HO CITY, TAIPEI, TAIWAN.**

TEL:886-2-2222-2398 FAX:886-2-2222-2508

E-Mail : service@honest-well.com.tw