

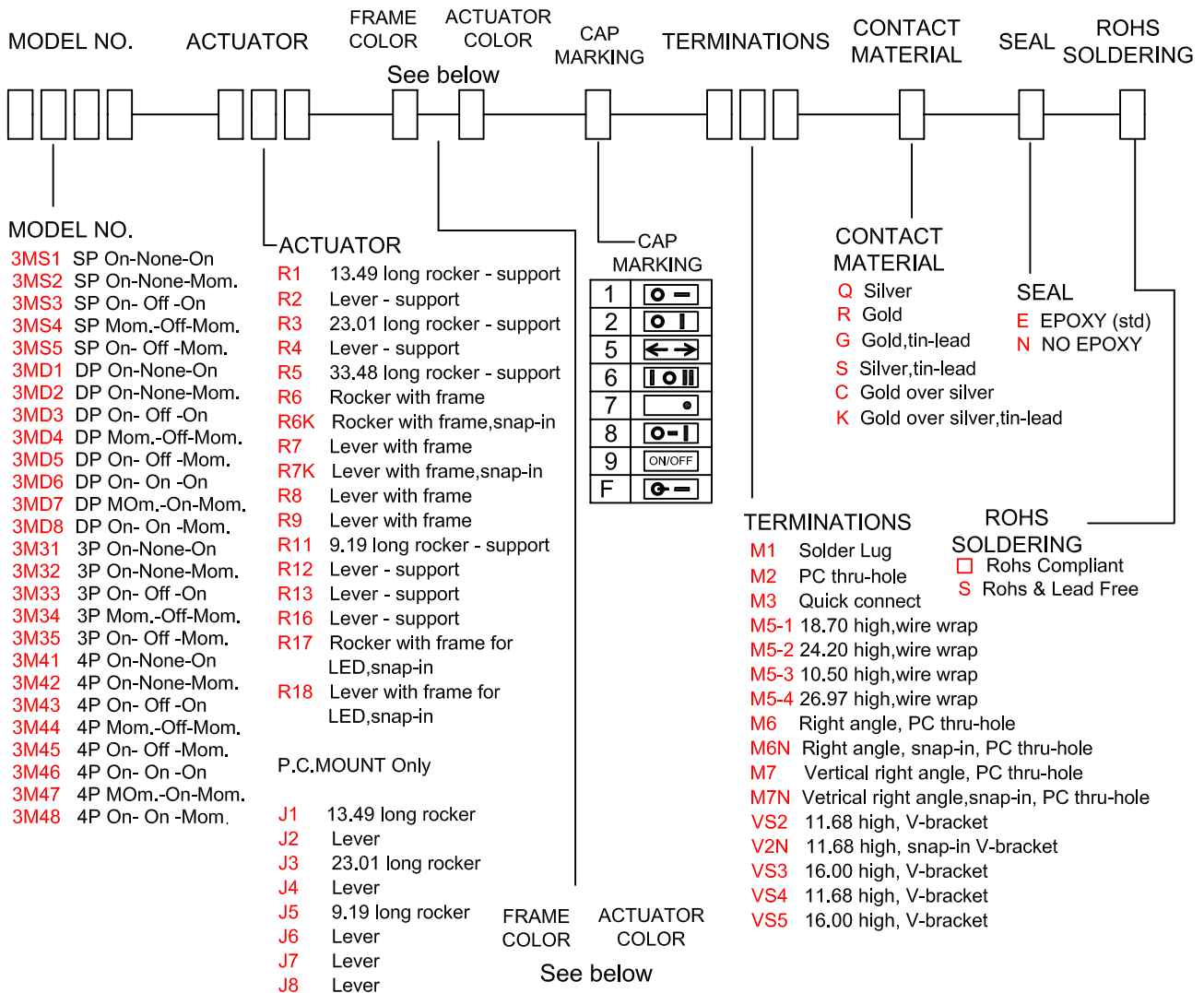
SPECIFICATIONS

CONTACT RATING: Dependent upon contact material (pls refer 1M Series)
MECHANICAL LIFE: 40,000 make-and-break cycles at full load.
CONTACT RESISTANCE: 10mΩ max. initial @ 2-4VDC 100mA
 for both silver and gold plated contacts.
INSULATION RESISTANCE: 1,000MΩ min.
DIELECTRIC STRENGTH: 1,000 V RMS@sea level.
OPERATING TEMPERATURE: -30°C to 85°C.

MATERIALS

CASE - Diallyl phthalate(DAP)(UL94V-0).
ACTUATOR - Nylon,black std.
BUSHING - Brass,nickel plated.
HOUSING - Stainless Steel.
SWITCH SUPPORT - Brass,tin plated.
TERMINAL/CONTACT - Brass, with Silver or gold plated.

HOW TO ORDER



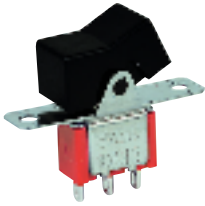
SWITCH FUNCTION

NO. POLES	UL/CSA MODEL NO.	MODEL NO.	SWITCH FUNCTION			CONNECTED TERMINALS / SCHEMATIC		
			POS.1	POS.2	POS.3	POS.1	POS.2	POS.3
SP	Q1311	3MS1	ON	NONE	ON	2-3 	N/A	2-1
	Q1312	3MS2	ON	NONE	MOM			
	Q1313	3MS3	ON	OFF	ON		OPEN	
	Q1314	3MS4	MOM	OFF	MOM			
	Q1315	3MS5	ON	OFF	MOM			
DP	Q1321	3MD1	ON	NONE	ON	2-3,5-6 	N/A	2-1,5-4
	Q1322	3MD2	ON	NONE	MOM			
	Q1323	3MD3	ON	OFF	ON		OPEN	
	Q1324	3MD4	MOM	OFF	MOM			
	Q1325	3MD5	ON	OFF	MOM			
	▲ Q1326	3MD6	ON	ON	ON	2-3,5-6	2-3,5-4	2-1,5-4
	▲ Q1327	3MD7	MOM	ON	MOM			
	Q1328	3MD8	ON	ON	MOM			
3P	Q1331	3M31	ON	NONE	ON	2-3,5-6,8-9 	N/A	2-1,5-4,8-7
	Q1332	3M32	ON	NONE	MOM			
	Q1333	3M33	ON	OFF	ON		OPEN	
	Q1334	3M34	MOM	OFF	MOM			
	Q1335	3M35	ON	OFF	MOM			
4P	Q1341	3M41	ON	NONE	ON	2-3,5-6,8-9,11-12 	N/A	2-1,5-4,8-7,11-10
	Q1342	3M42	ON	NONE	MOM			
	Q1343	3M43	ON	OFF	ON		OPEN	
	Q1344	3M44	MOM	OFF	MOM			
	Q1345	3M45	ON	OFF	MOM			
	Q1346	3M46	ON	ON	ON	2-3,5-6,8-9,11-12	2-3,5-4,8-9,11-10	2-1,5-4,8-7,11-10
	▲ Q1347	3M47	MOM	ON	MOM			
	▲ Q1348	3M48	ON	ON	MOM			

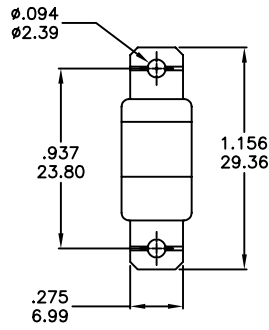
MOM=MOMENTARY

▲ Please check the availability in advance before order

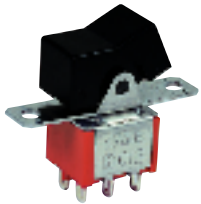
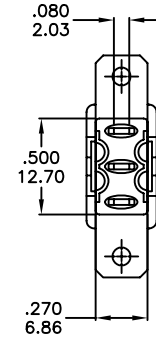
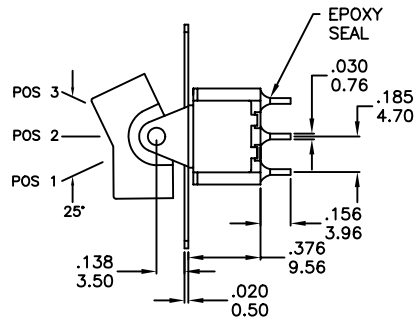
POLE OPTIONS



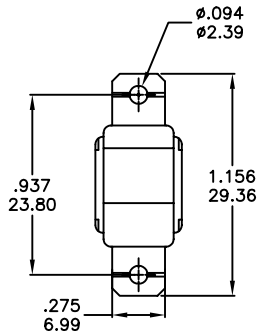
SPDT



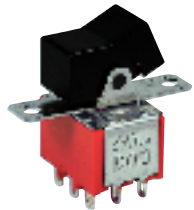
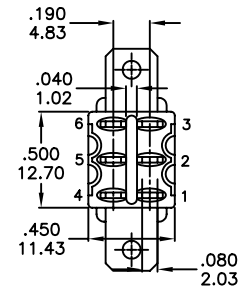
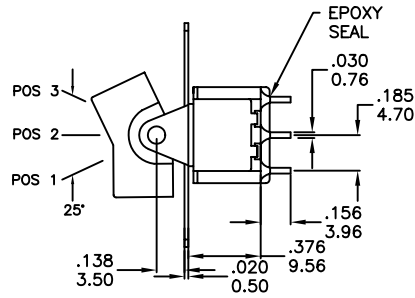
Part No. Shown : 3MS1R102M1QE



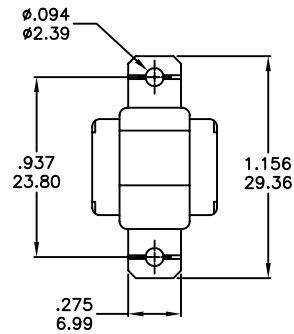
DPDT



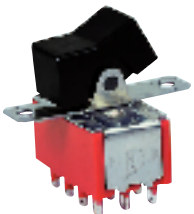
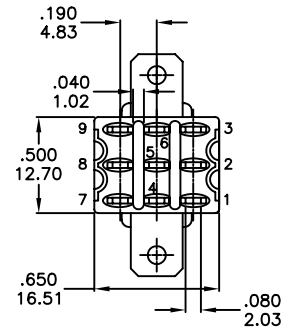
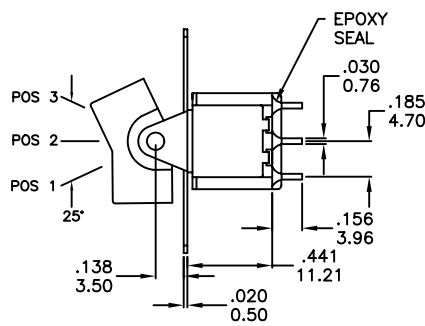
Part No. Shown : 3MD1R102M1QE



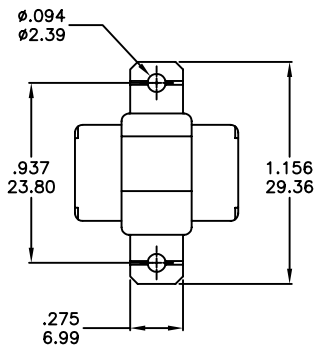
3PDT



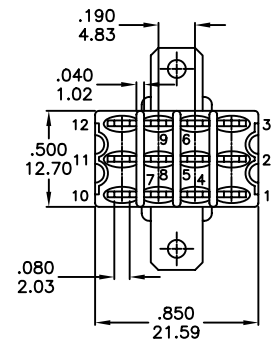
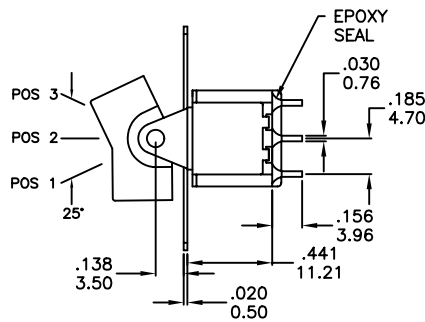
Part No. Shown : 3M31R102M1QE



4PDT

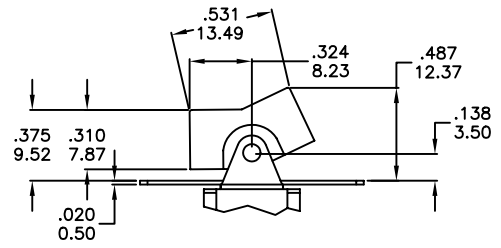
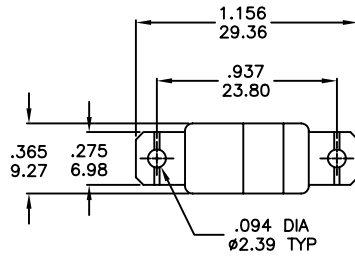
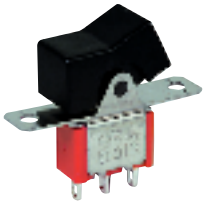


Part No. Shown : 3M41R102M1QE

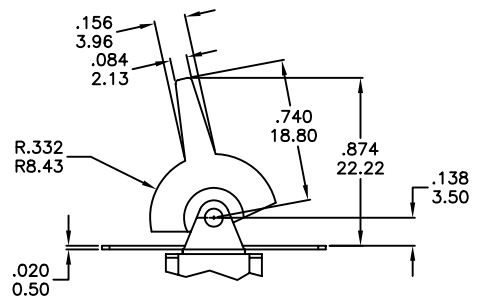
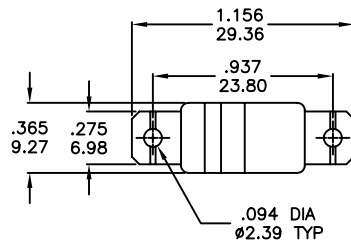


ACTUATOR OPTIONS FOR PANEL MOUNT ONLY

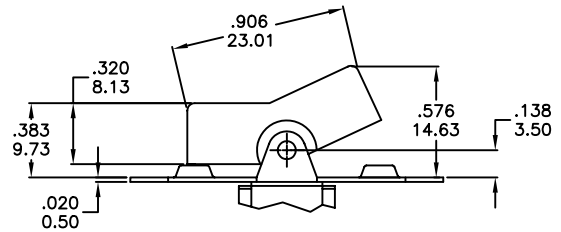
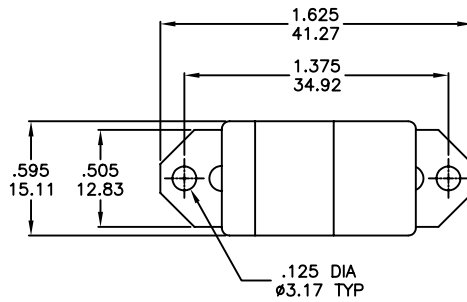
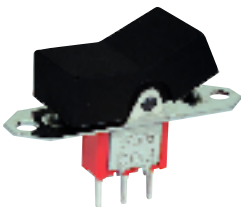
R1



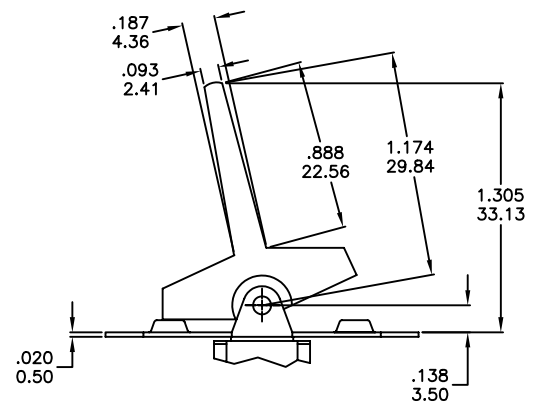
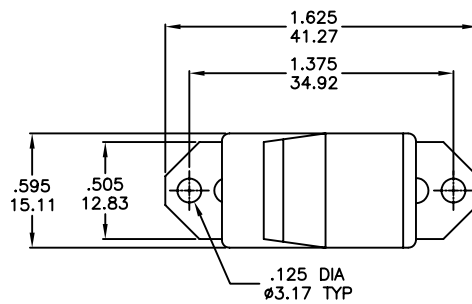
R2



R3

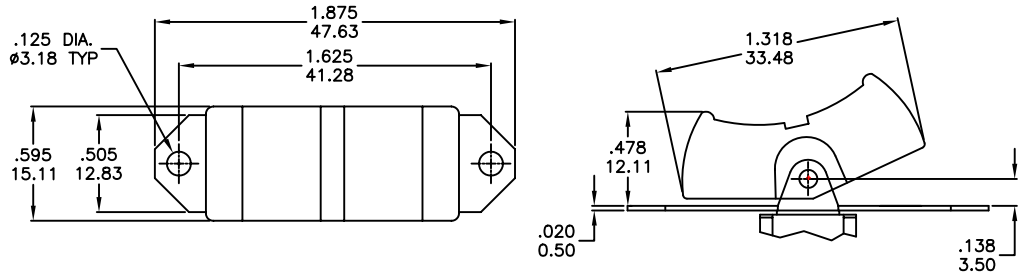


R4

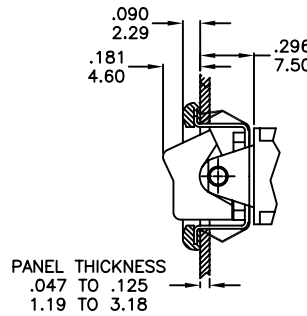
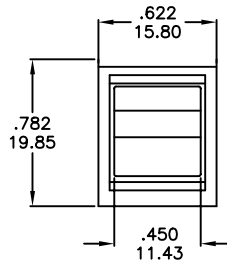


ACTUATOR OPTIONS SNAP-IN FRONT MOUNT

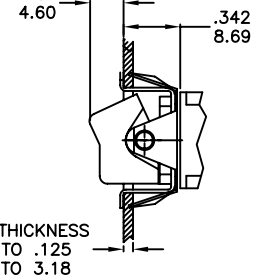
R5



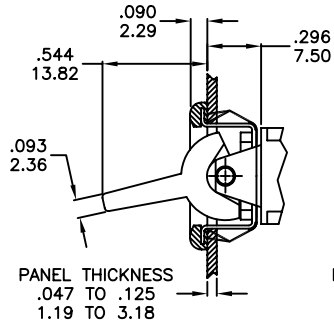
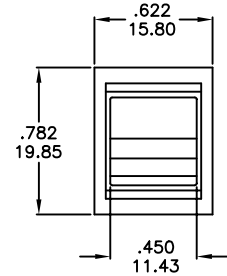
R6



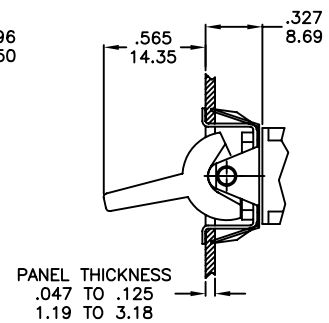
R6K



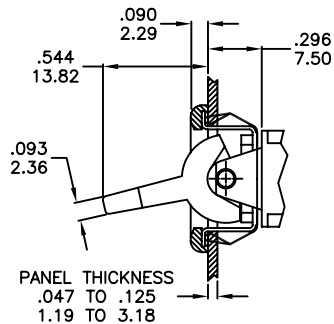
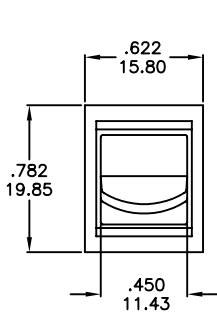
R7



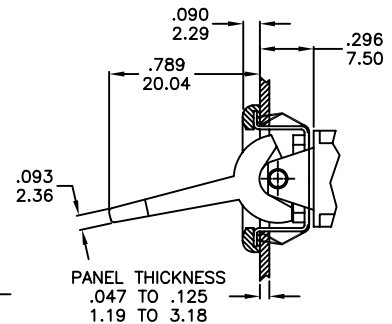
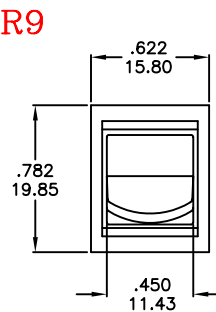
R7K



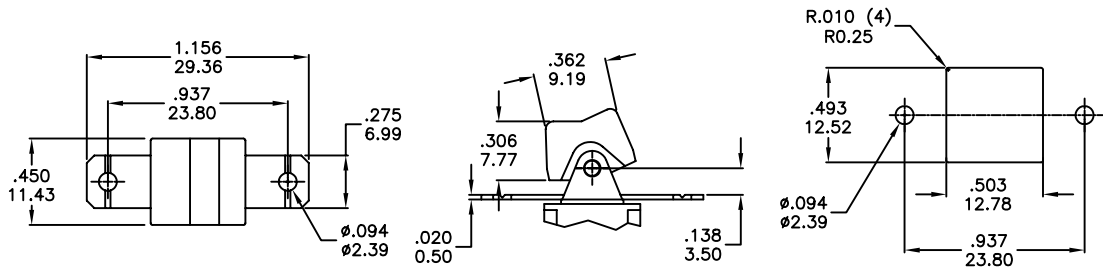
R8



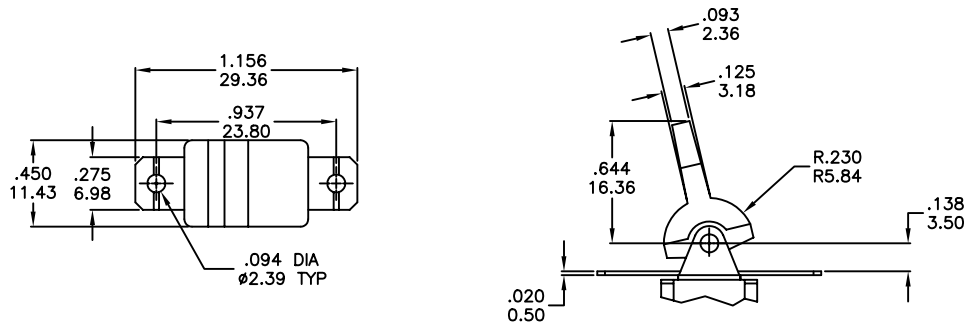
R9



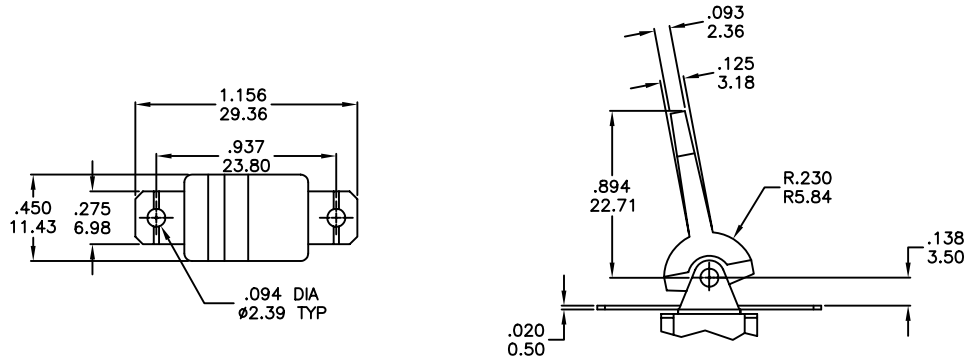
R11



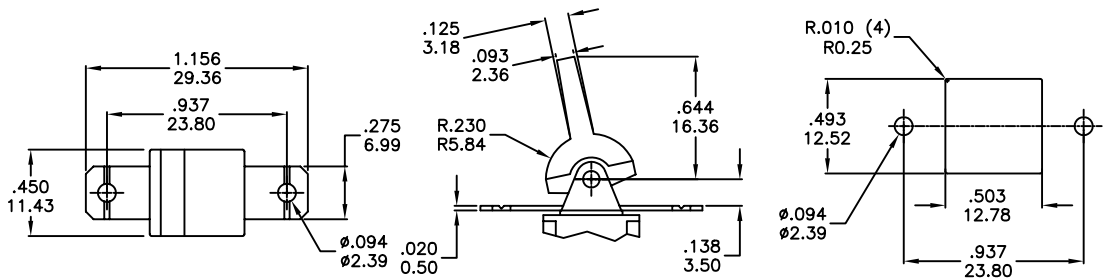
R12



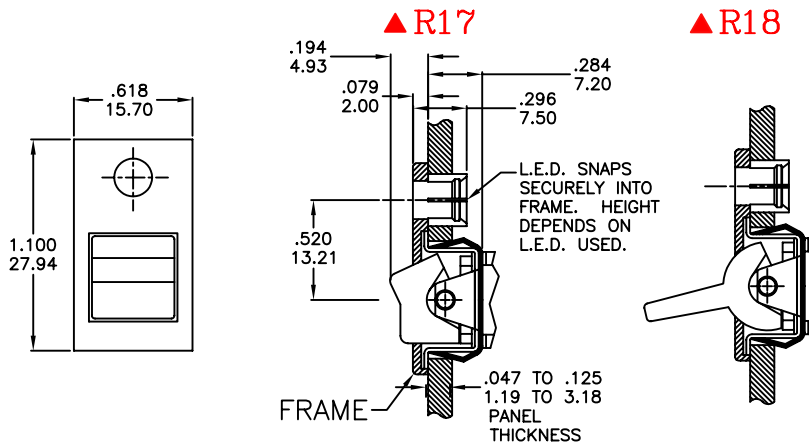
R13



R16



R18



▲ R17

▲ R18

CAP AND FRAME COLORS

OPTION CODE	COLOR
1	WHITE
2	BLACK(std)
3	RED

LED COLORS

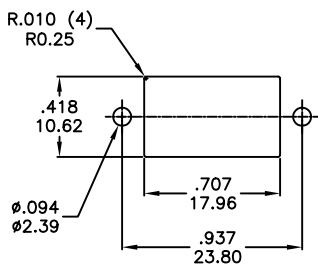
OPTION CODE	COLOR
R	RED(std)
O	ORANGE
G	GREEN

L.E.D. SNAPS SECURELY INTO FRAME. HEIGHT DEPENDS ON L.E.D. USED.

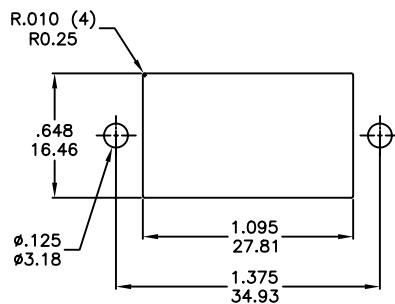
FRAME
 .047 TO .125
 1.19 TO 3.18
 PANEL THICKNESS

RECOMMENDED MOUNTING

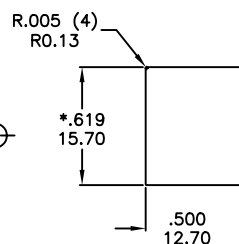
For R1-R2



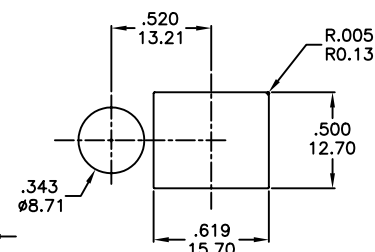
For R3-R4



For R6-R9



For R17-R18

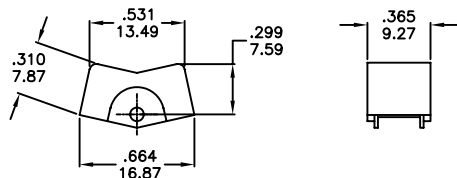


*For R8 and R9: Increase this dim. to .620/.625(15,75/15,88) for .091/.125 (2,31/3,18) thk. panels.

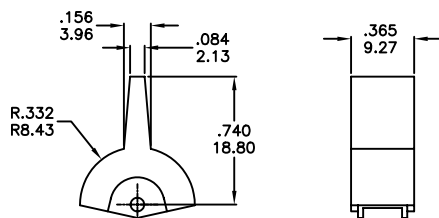
* For R6 and R7: Increase this dim. to .620/.625(15,75/15,88) for .060/.125 (1,52/3,18) thk. panels.

ACTUATOR OPTIONS FOR P.C. MOUNT ONLY

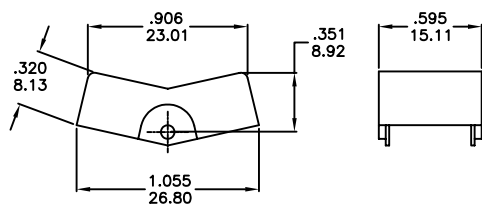
J1



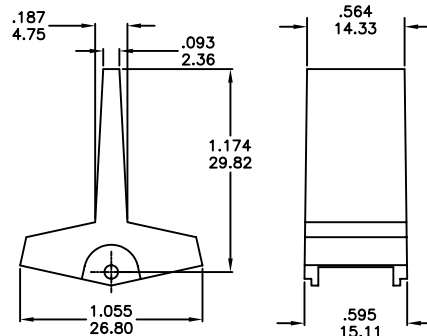
J2



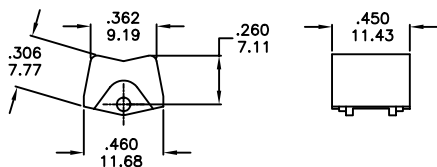
J3



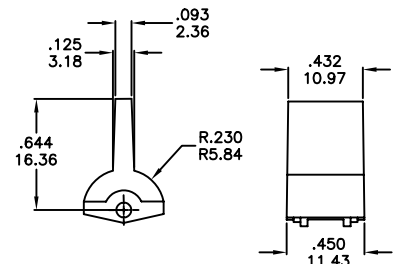
J4



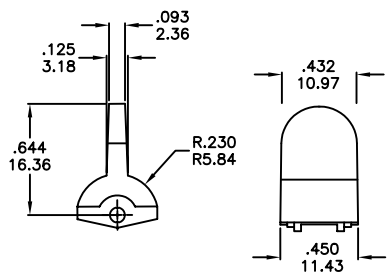
J5



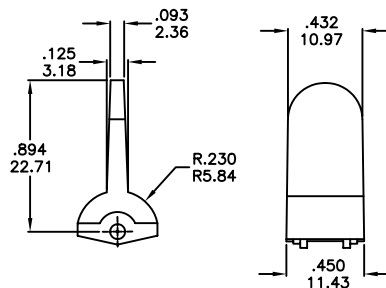
J6



J7



J8

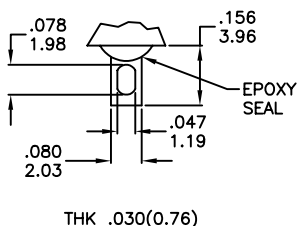


Actuator and frame colors:

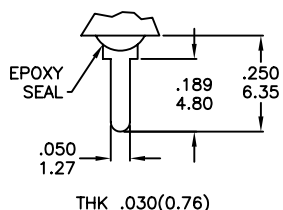
ITEM NO	COLOR	PANTONE
1	White	
2	Black (Std)	Black C
3	Red	1797C
4	Orange	Warm Red C
5	Yellow	115C
6	Green	336C
7	Blue	2787C
8	Brown	490C
9	Gray	Cool Gray C

TERMINATION OPTIONS

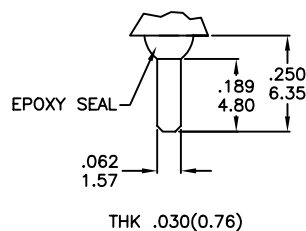
M1 SOLDER LUG



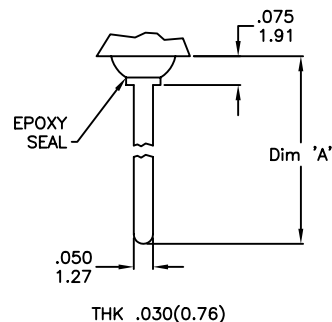
M2 PC THRU-HOLE



M3 QUICK CONNECT



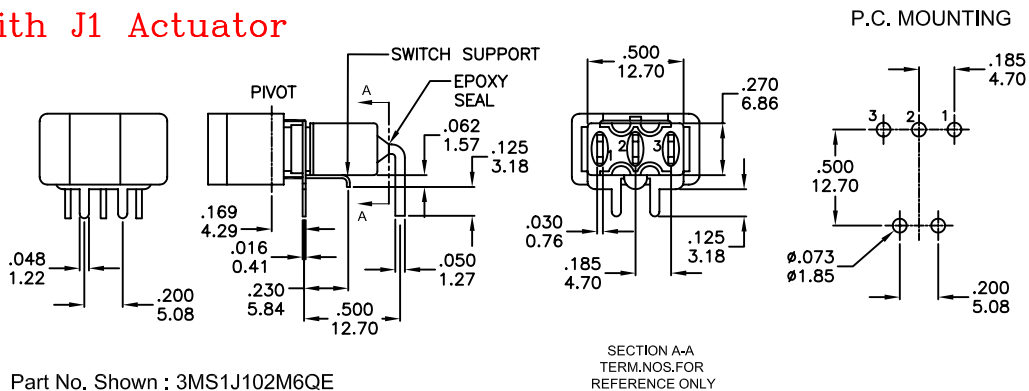
M5 WIRE WRAP



OTHER TERMINATION OPTIONS	
M6	RIGHT ANGLE P.C. MOUNT
M7	RIGHT ANGLE P.C. MOUNT
VS2	VERTICAL BRACKET P.C. MOUNT
VS3	VERTICAL BRACKET P.C. MOUNT
VS4	VERTICAL BRACKET P.C. MOUNT
VS5	VERTICAL BRACKET P.C. MOUNT

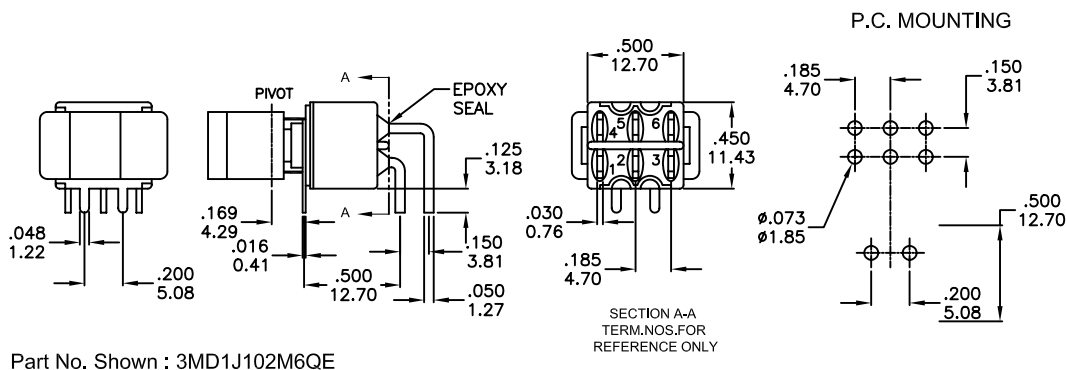
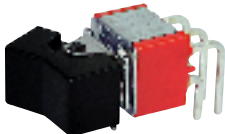
OPTION CODE	DIM. 'A'
M5-1	.737(18.70)
M5-2	.953(24.20)
M5-3	.415(10.55)
M5-4	1.062(26.97)

M6 Shown with J1 Actuator



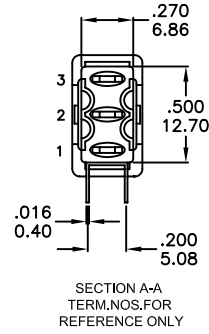
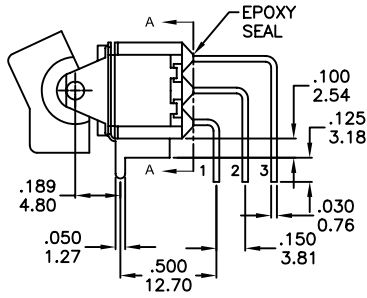
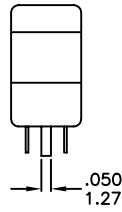
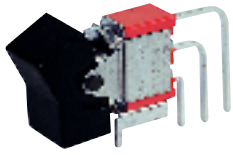
SPDT

M6

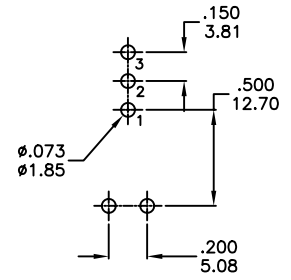


DPDT

M7



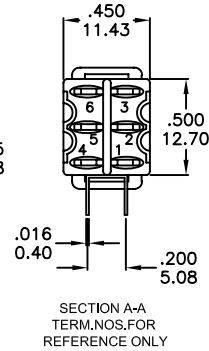
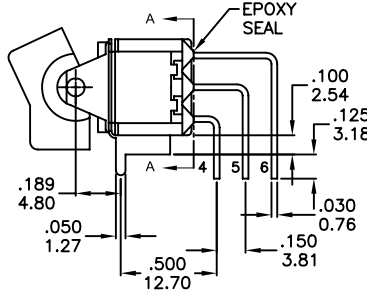
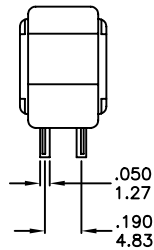
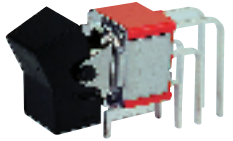
P.C. MOUNTING



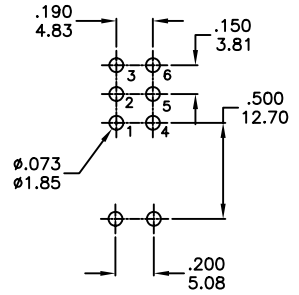
SPDT

Part No. Shown : 3MS1J102M7QE

M7



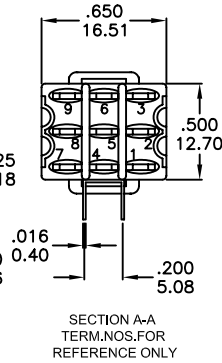
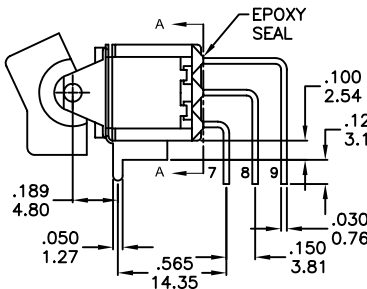
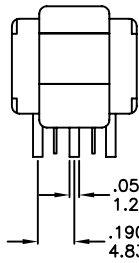
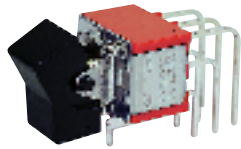
P.C. MOUNTING



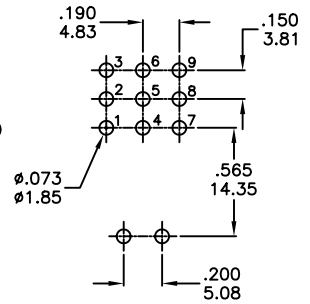
DPDT

Part No. Shown : 3MD1J102M7QE

M7



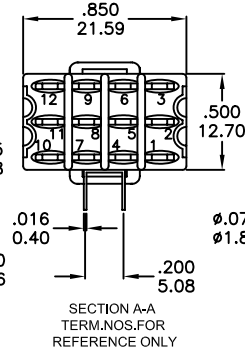
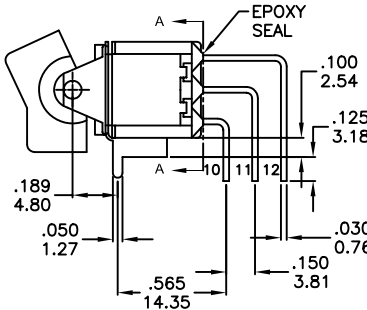
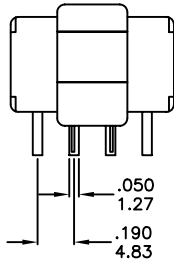
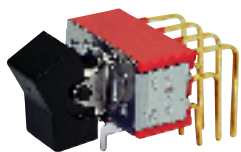
P.C. MOUNTING



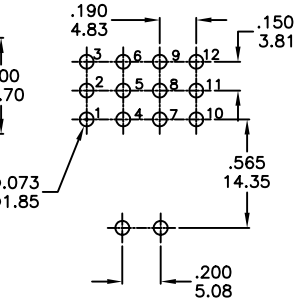
3PDT

Part No. Shown : 3M31J102M7QE

M7



P.C. MOUNTING



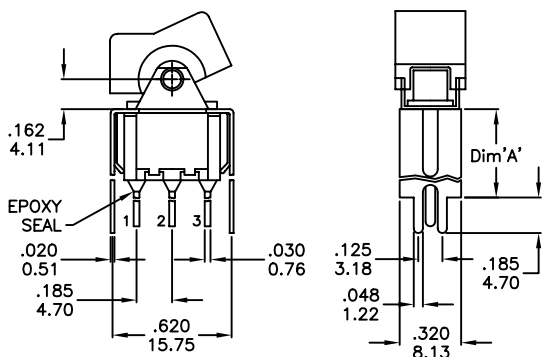
4PDT

Part No. Shown : 3M41J102M7RE

VS2-VS3

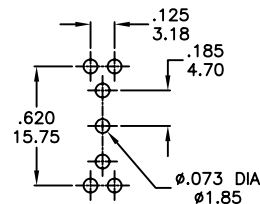


SPDT



OPTION CODE	DIM. 'A'
VS2	.460 11.68
VS3	.630 16.00

P.C. MOUNTING

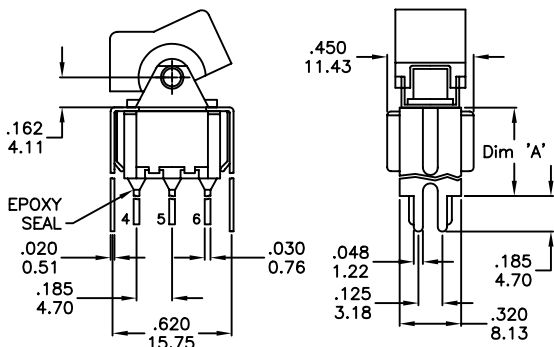


Part No. Shown : 3MS1J102VS2QE

VS2-VS3

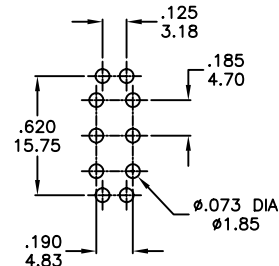


DPDT



OPTION CODE	DIM. 'A'
VS2	.460 11.68
VS3	.630 16.00

P.C. MOUNTING

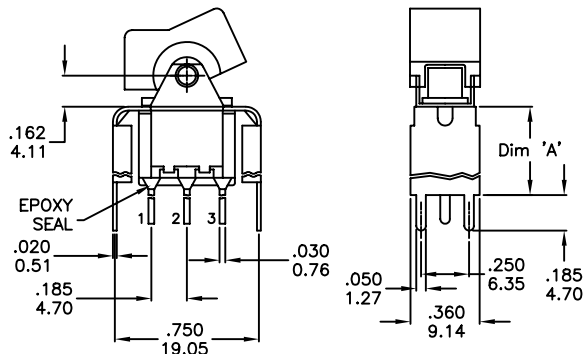


Part No. Shown : 3MD1J102VS2QE

VS4-VS5

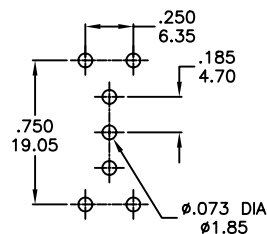


SPDT



OPTION CODE	DIM. 'A'
VS4	.460 11.68
VS5	.630 16.00

P.C. MOUNTING

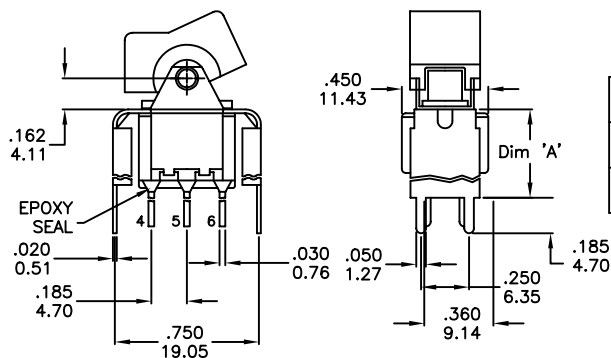


Part No. Shown : 3MS1J102VS4QE

VS5

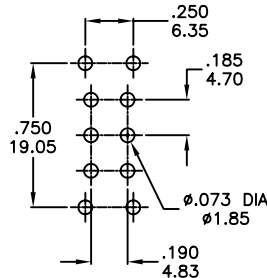


DPDT



OPTION CODE	DIM. 'A'
VS4	.460 11.68
VS5	.630 16.00

P.C. MOUNTING



Part No. Shown : 3MD1J102VS5QE