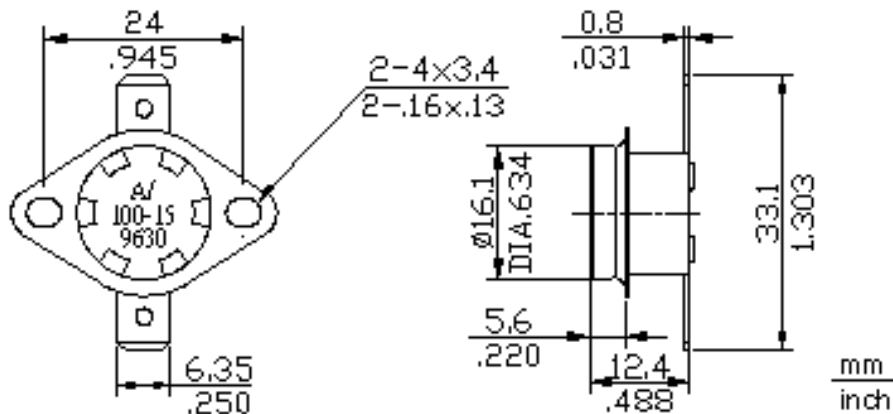


**4A-BF2**



- \*Electrical Rating: 16A/250V AC 15A/125V AC 10A/250V AC
- \*Operation Temp: 40°C ~200(ENEC)  
40°C ~205°C (UL/CUL)
- \*Differential: 10K~65K
- \*Calibration Method: 1°C/min. Air circulation furnace
- \*Temp. Tolerance: ±3K / ±5K
- \*Heat Durability: 180°C \*2Hr MAX.
- \*Circuit Resistance: 50 mΩ MAX.
- \*Insulation Resistance: 100MΩ min. at DC 500V
- \*Dielectric Strength: AC1000V for One Minute or AC 1800V for One Second(Leak current:0.5mA)
- \*Operation life: 100,000 Cycles(15A 125V AC / 10A 250V AC)  
10,000 Cycles(16A 250V AC)