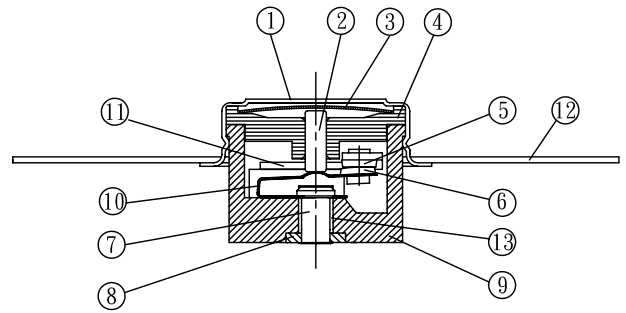
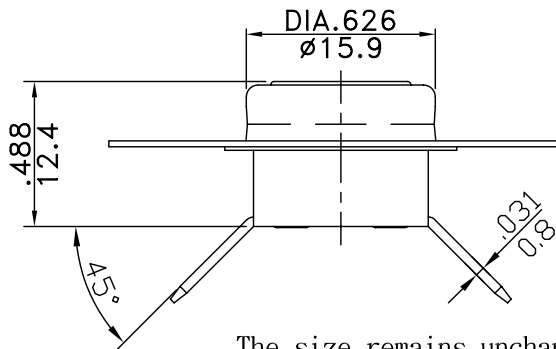
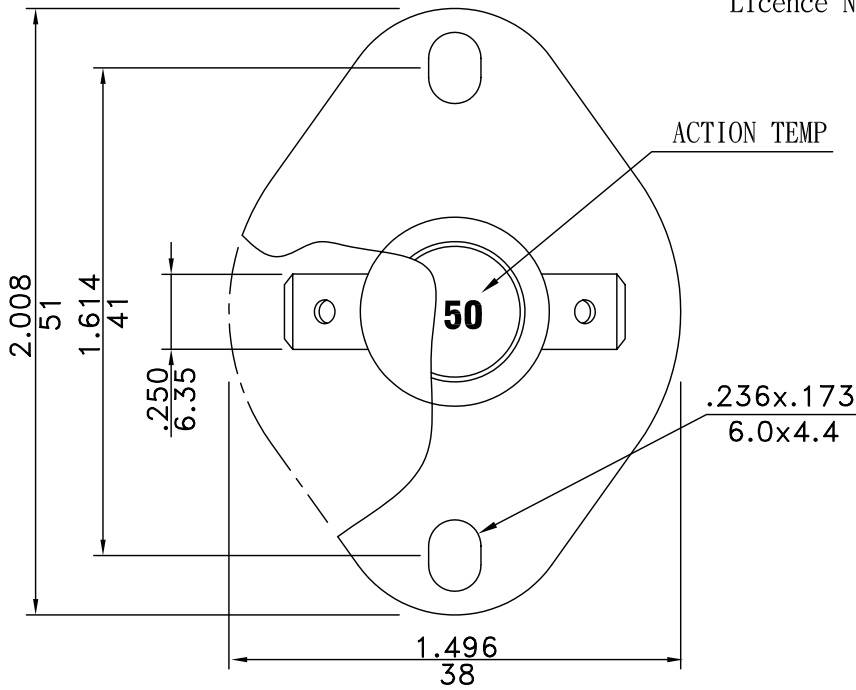


	PARTS NAME	MATERIAL	UL FLAME GRADE
1	Sensing cup	Stainless steel	
2	Actuating pin	Ceramic	
3	Bimetal disc	Bimetal	
4	Retainer	PPS	94V-0
5	Contact-F	Silver alloy	
6	Contact-R	Silver alloy	
7	Rivet-S	Brass alloy	
8	Terminal	Brass tin plated	
9	Case	PPS	94V-0
10	Movable arm	Beryllium copper	
11	Stationary arm	Brass	
12	Bracket	steel zinc plated	
13	Tube	Bronze	

SPECIFICATIONS

- * CONTACT TYPE : Normally Closed
- * ACTION TEMP : $50 \pm 3^\circ\text{C}$
- * RESET TEMP : $40 \pm 4^\circ\text{C}$
- * TERMINAL SIZE : Amp #250 TAB
- * CIRCUIT RESISTANCE : $50\text{m}\Omega$ MAX.
- * INSULATION RESISTANCE : $100\text{M}\Omega$ min. at DC 500V
- * DIELECTRIC STRENGTH : AC 1000V For One Minute
Or AC 1800V For One Sec.
- * ELECTRICAL RATING & OPERATING LIFE :
UL CUL - 15A 125VAC (Resistive Load) : 100,000 Cycles
Licence No. E192925
VDE - Pending
ENEC17 - 15A 125VAC / 10A 250VAC : 100,000 Cycles
16A 250VAC : 10,000 Cycles
(Resistive Load)
Licence No. 1309



INCH
MM

SCALE 2:1 (mm)

The size remains unchanged, but other technical modification will be made without notice.

④				TITLE	THERMOSTAT	
③				SERIES	T24	CODE 4A-DT2-E
②				FULL CODE	T24A050ADT2-10-E	
①				CUSTOMER		
REV	DESCRIPTION	DFTG.	DATE	DRAWING NO.	6D1560	
DFTG	JAYE	CHKD	SALES	MFG.	APRVL	