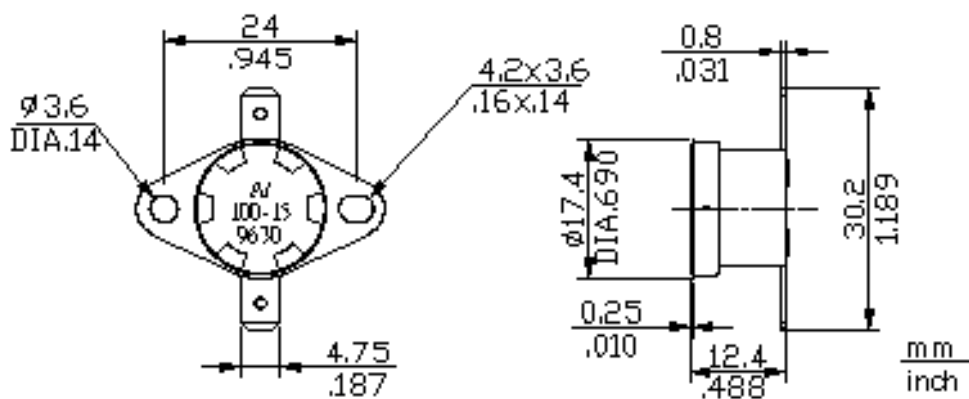


4A-XF1 (FIXED BRACKET)



*Electrical Rating: 16A/250V AC 15A/125V AC 10A/250V AC

*Operation Temp: 40°C ~200(ENEC)
40°C ~205°C (UL/CUL)

*Differential: 10K~65K

*Calibration Method: 1°C/min. Air circulation furnace

*Temp. Tolerance: $\pm 3K$ / $\pm 5K$

*Heat Durability: 180°C *2Hr MAX.

*Circuit Resistance: 50 m Ω MAX.

*Insulation Resistance: 100M Ω min. at DC 500V

*Dielectric Strength: AC1000V for One Minute or AC 1800V for One Second(Leak current: 0.5mA)

*Operation life: 100,000 Cycles(15A 125V AC / 10A 250V AC)
10,000 Cycles(16A 250V AC)