

	PARTS NAME	MATERIAL	UL FLAME GRADE
1	Sensing cap	Brass bright tin plated	
2	Actuating pin	Ceramic	
3	Bimetal disc	Bimetal	
4	Retainer	PPS	94V-0
5	Contact-F	AgSnO2-In2O3	
6	Contact-R	AgSnO2-In2O3	
7	Rivet-S	Copper	
8	Terminal	Brass bright tin plated	
9	Case	PPS	94V-0
10	Movable arm	Beryllium copper	
11	Stationary arm	Brass	
12	Tube	Bronze	

## SPECIFICATIONS

\* CONTACT TYPE : Normally Closed

\* ACTION TEMP :  $060^{\circ}\text{C} \pm 4^{\circ}\text{C}$

\* RESET TEMP :  $50^{\circ}\text{C} \pm 4^{\circ}\text{C}$

\* TERMINAL SIZE : Amp #187 TAB

\* CIRCUIT RESISTANCE : 50mΩ MAX.

\* INSULATION RESISTANCE : 100MΩ min. at DC 500V

\* DIELECTRIC STRENGTH : AC 1000V For One Minute

Or AC 1800V For One Sec

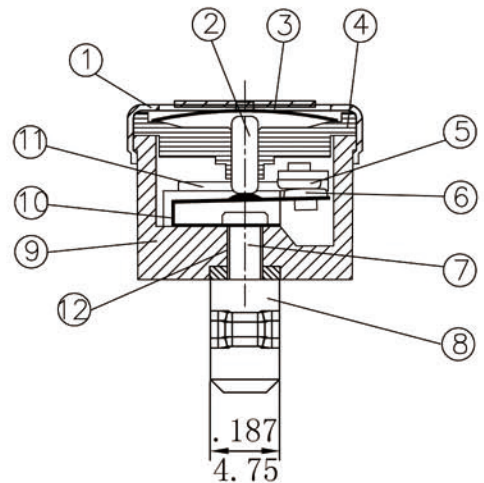
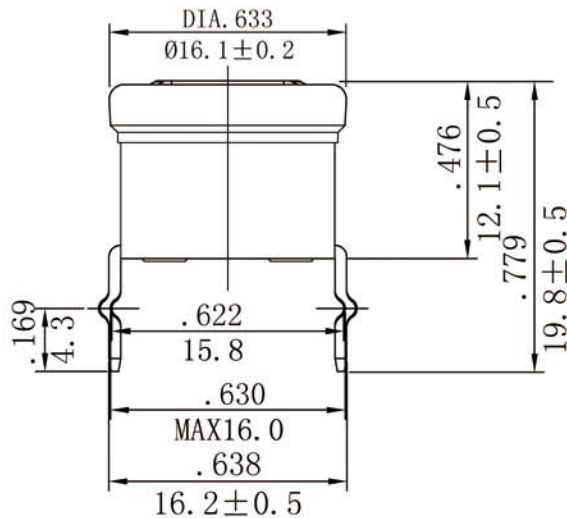
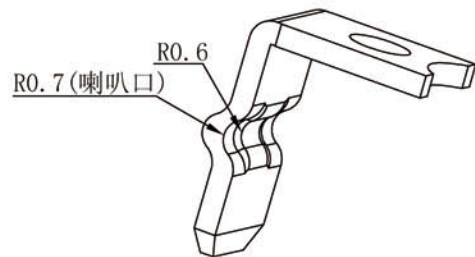
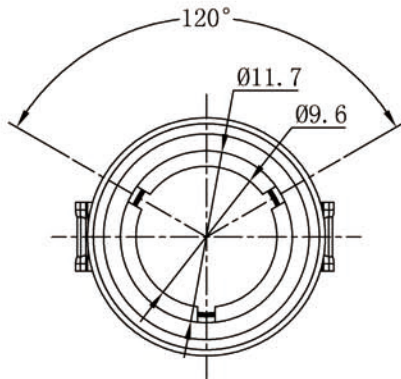
\* ELECTRICAL RATING AND OPERATING LIFE :

UL CUL:100,000次:15A 125VAC/10A 250VAC

ENEC17:100,000次:15A 125VAC/10A 250VAC

10,000次:16A 250VAC

CQC:10,000次:16A 250VAC



INCH  
MM

The size remains unchanged, but other technical modification will be made without notice.

SCALE 2:1 (mm)

Series T24 Code T24A060BYRA-10-PS

Unit mm Customer

draft yang check sale approve

Description

Draft

yang

HONEST-WELL CO., LTD.