

PARTS NAME	MATERIAL	UL FLAME GRADE
1 Sensing cap	Aluminum	
2 Actuating pin	Ceramic	
3 Bimetal disc	Bimetal	
4 Retainer	Phenolic	94V-0
5 Contact-F	Gold alloy	
6 Contact-R	Gold alloy	
7 Rivet	Copper	
8 Terminal	Brass plating nickel silver	
9 Case	Phenolic	94V-0
10 Movable arm	Beryllium copper plating nickel silver	
11 Stationary arm	Brass plating nickel silver	

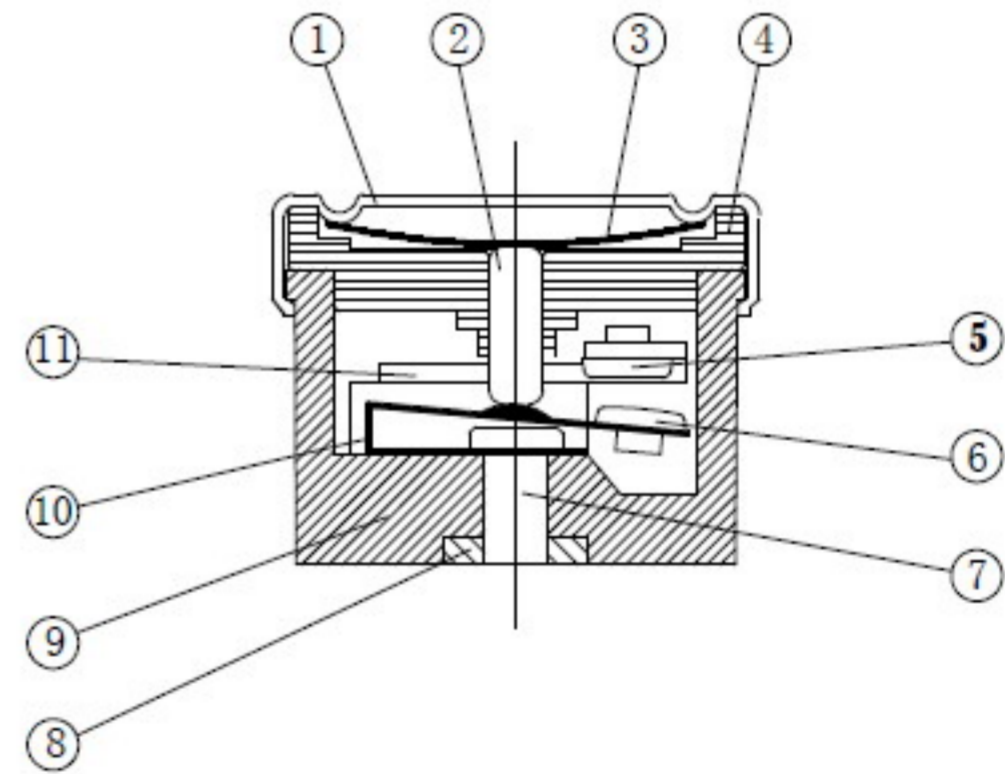
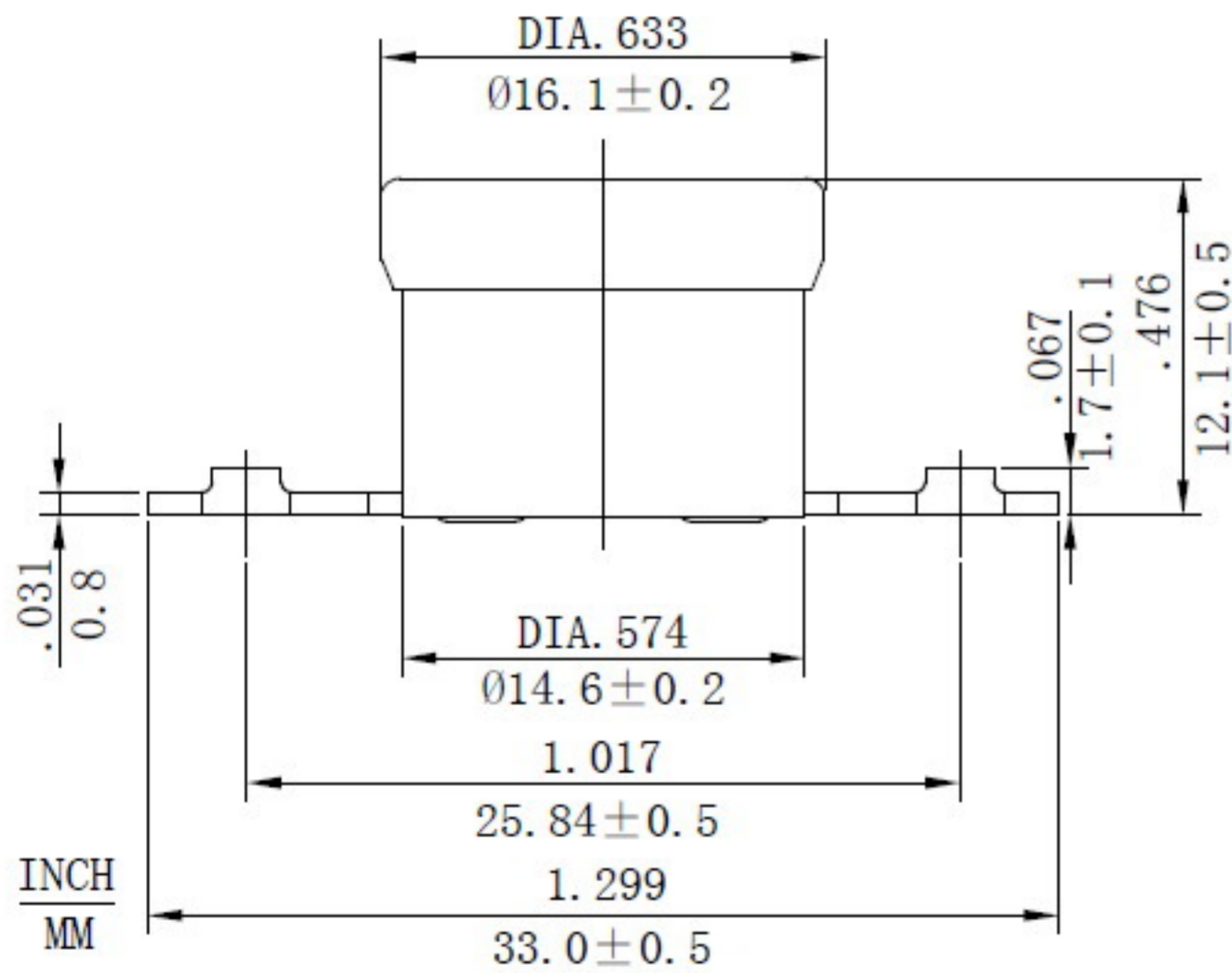
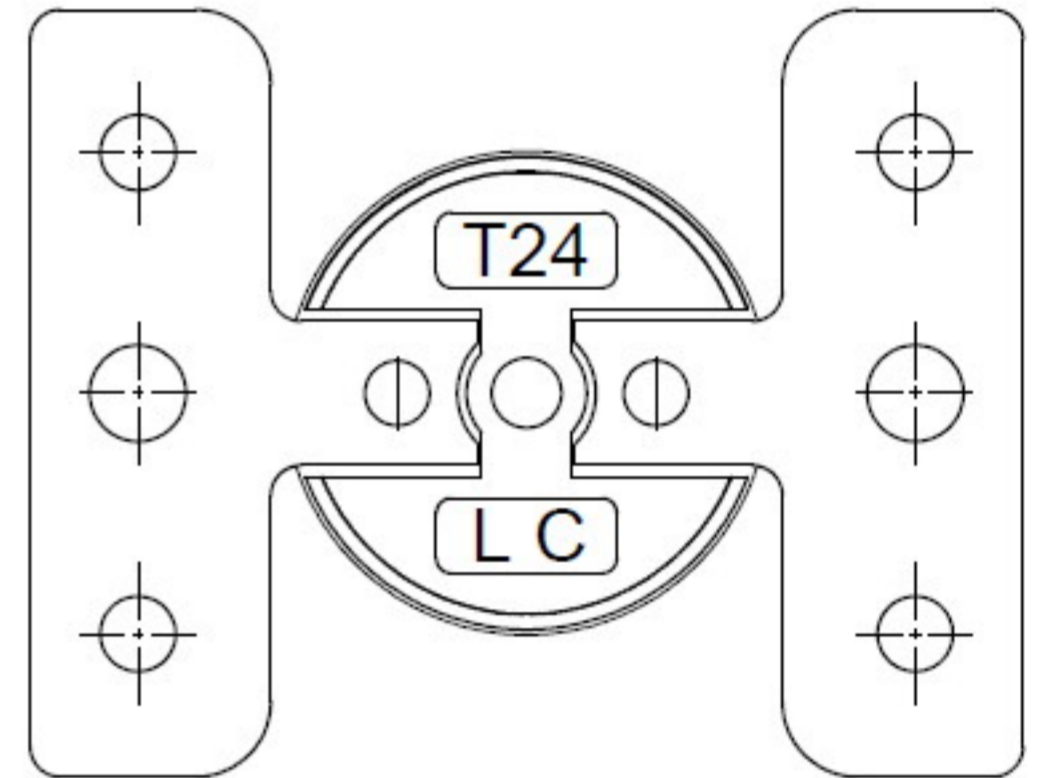
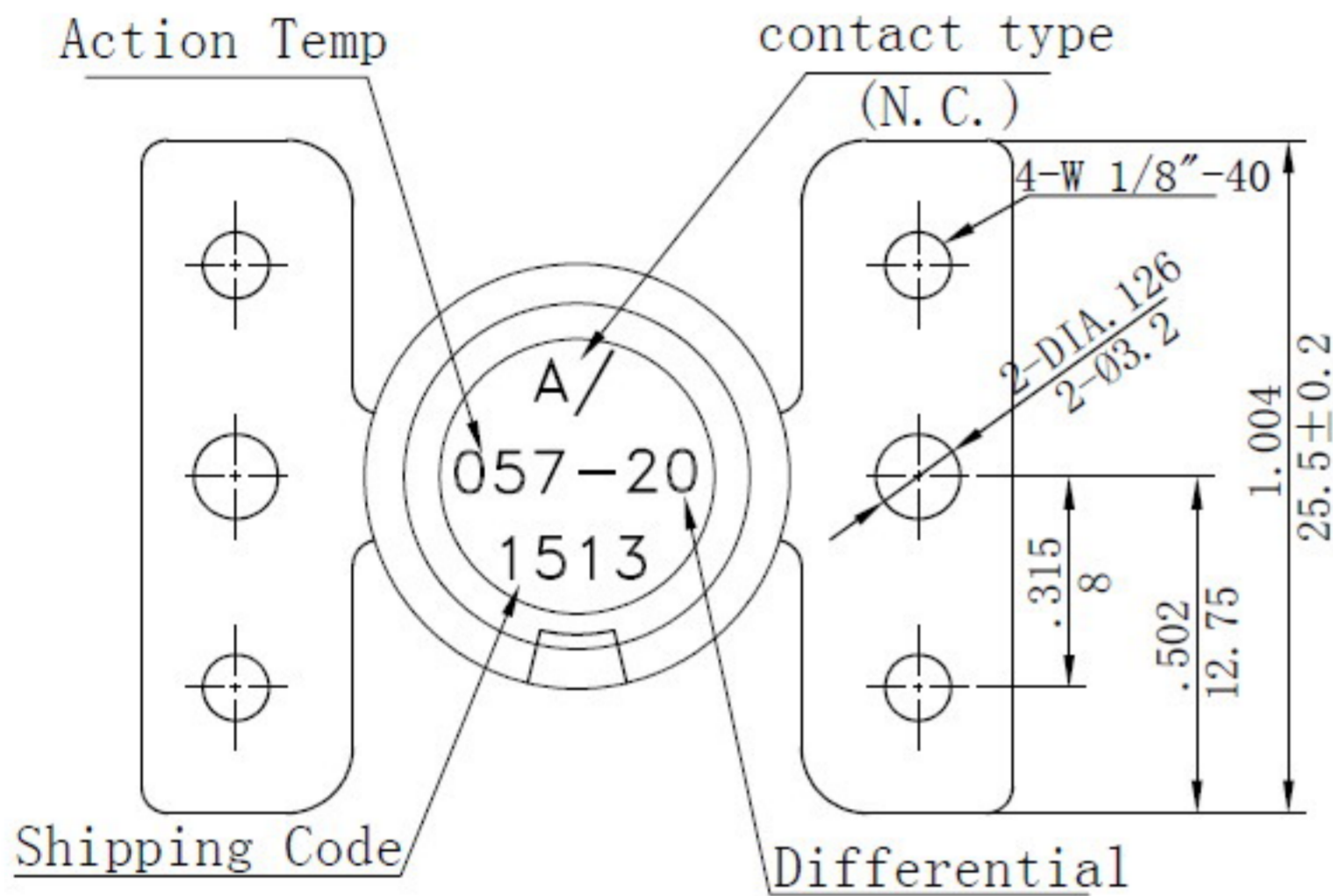
## SPECIFICATIONS

- \* CONTACT TYPE : Normally Closed
- \* ACTION TEMP :  $57^{\circ}\text{C} \pm 3^{\circ}\text{C}$
- \* RESET TEMP :  $37^{\circ}\text{C} \pm 4^{\circ}\text{C}$
- \* TERMINAL SIZE : Amp #1004 TAB
- \* CIRCUIT RESISTANCE : 50m $\Omega$  MAX.
- \* INSULATION RESISTANCE : 100M $\Omega$  min. at DC 500V
- \* DIELECTRIC STRENGTH : AC 1500V For One Minute  
Or AC 1800V For One Sec
- \*APPROVALS AND OPERATING LIFE :

UL CUL:100,000 Cycles :15A 125VAC/10A 250VAC  
 ENEC17:100,000 Cycles :15A 125VAC/10A 250VAC  
 10,000 Cycles :16A 250VAC  
 CQC:10,000 Cycles :16A 250VAC

1 5 13  
 13<sup>th</sup>  
 May

2011 Year  
 Shipping Code



Scale 2:1 (mm)

Series T24 Code T24B057ACFT-20-TG

Unit mm Customer

draft check sale approve

Description Draft

Yang

# Honest-Well Co., Ltd.