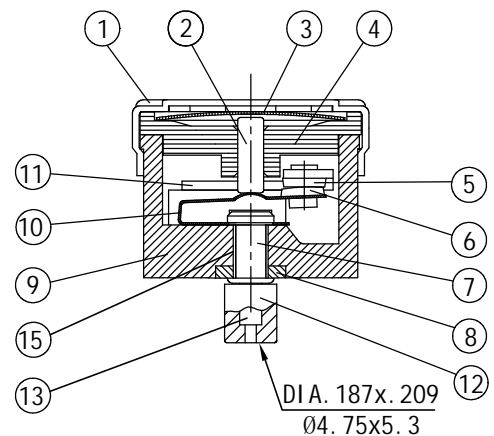
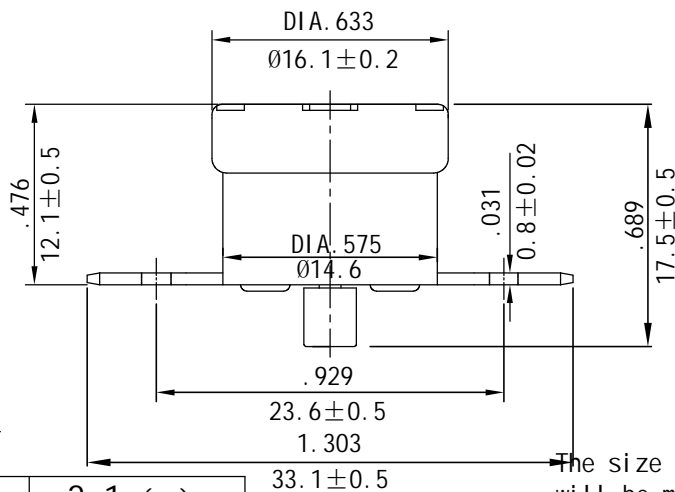
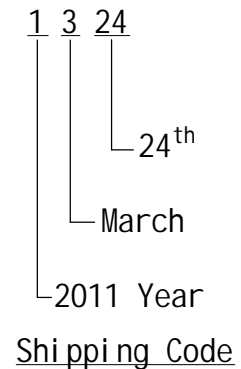
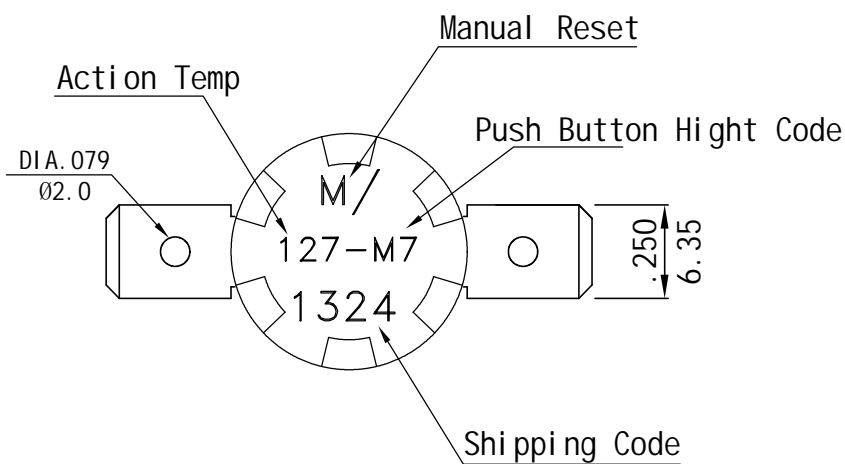


	PARTS NAME	MATERIAL	UL FLAME GRADE
1	Sensing cap	Aluminum	
2	Actuating pin	Ceramic	
3	Bimetal disc	Bimetal	
4	Retainer	PPS	94V-0
5	Contact-F	Silver alloy	
6	Contact-R	Silver alloy	
7	Rivet-S	Copper	
8	Terminal	Brass tin plated	
9	Case	PPS R7	94V-0
10	Movable arm	Beryllium copper	
11	Stationary arm	Brass	
12	Push button	PPS	94V-0
13	Manual Rivet	Soft iron chrome	
14	Tube	Bronze	

SPECIFICATIONS

- * CONTACT TYPE : Normally Closed (Manual Reset)
- * ACTION TEMP : $127^{\circ}\text{C} \pm 5^{\circ}\text{C}$
- * RESET TEMP : $^{\circ}\text{C} \pm ^{\circ}\text{C}$
- * TERMINAL SIZE : Amp #250 TAB
- * CIRCUIT RESISTANCE : 50mΩ MAX.
- * INSULATION RESISTANCE : 100MΩ min. at DC 500V
- * DIELECTRIC STRENGTH : AC 1000V For One Minute
Or AC 1800V For One Sec
- * ELECTRICAL RATING : 16A 250VAC\15A 125VAC
10A 250VAC (Resistive Load)
- * OPERATING LIFE AND APPROVALS:
UL CUL: 100,000 Cycles :15A 125VAC
SEMKO: 1000 Cycles :16A 250VAC/125VAC
VDE/ENEC10: 3.000 Cycles :10A 250VAC/125VAC



The size remains unchanged, but other technical modification will be made without notice.

SCALE	2:1 (mm)				
		Series	T24	Code	T24M127BCF2-M7
		Unit	mm	Customer	
		draft	check	sale	approve
Description	Draft	Jelly			

Light Country (CHANGSHU) CO.,Ltd.

[Http://www.lccs.com.cn](http://www.lccs.com.cn)