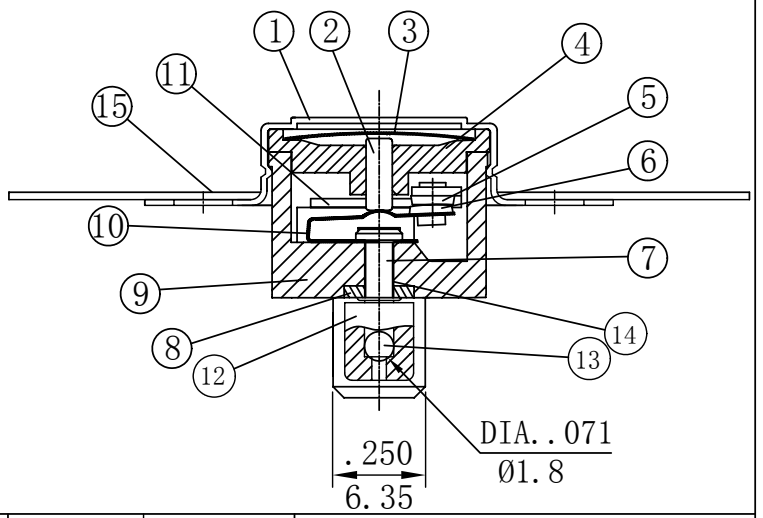
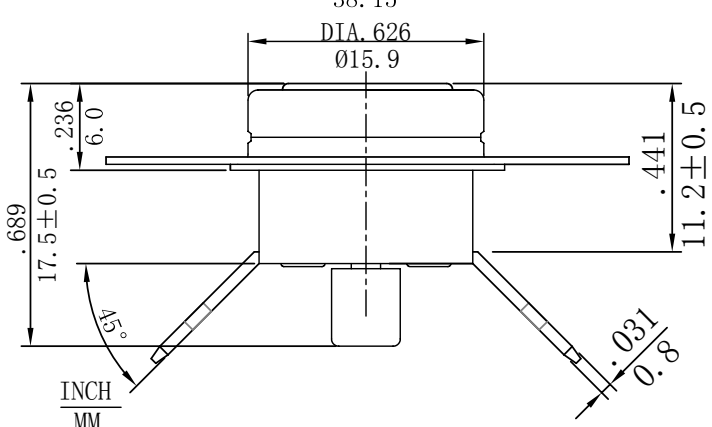
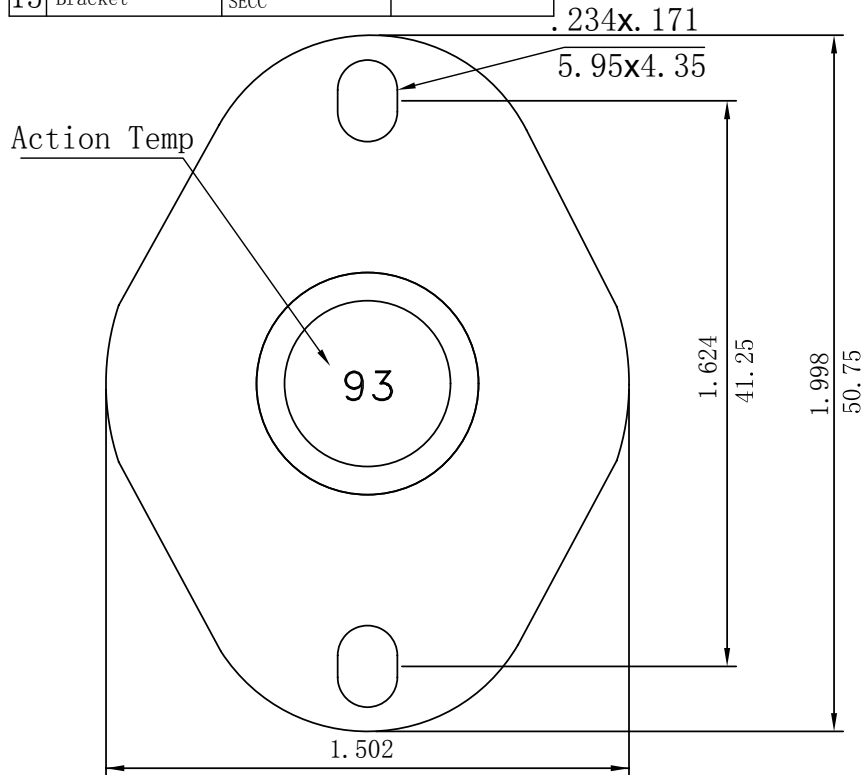


	PARTS NAME	MATERIAL	UL FLAME GRADE
1	Sensing cap	Aluminum	
2	Actuating pin	Ceramic	
3	Bimetal disc	Bimetal	
4	Retainer	PPS	94V-0
5	Contact-F	Silver alloy	
6	Contact-R	Silver alloy	
7	Rivet	Copper	
8	Terminal	Brass tin plated	
9	Case	PPS-R7	94V-0
10	Movable arm	Beryllium copper	
11	Stationary arm	Brass	
12	Push button	PPS	94V-0
13	Manual Rivet	Soft iron chrome	
14	Tube	Bronze	
15	Bracket	SECC	

## SPECIFICATIONS

- \* CONTACT TYPE : Normally Closed (Manual Reset)
- \* ACTION TEMP : 093 ° C ± 3 ° C
- \* RESET TEMP : ° C ± ° C
- \* TERMINAL SIZE : Amp #250 TAB
- \* CIRCUIT RESISTANCE : 50mΩ MAX.
- \* INSULATION RESISTANCE : 100MΩ min. at DC 500V
- \* DIELECTRIC STRENGTH : AC 1000V For One Minute  
Or AC 1800V For One Sec
- \* ELECTRICAL RATING : 15A 125VAC /16A 250VAC (Resistive Load)
- \* APPROVALS AND OPERATING LIFE :  
UL CUL:10.000 Cycles:15A 125VAC  
CQC:10.000 Cycles:16A 250VAC



Scale 2:1 (mm)

		Series	T24	Code	T24M093AET2-M7
		Unit	mm	Customer	
		draft	check	sale	approve
Description	Draft				