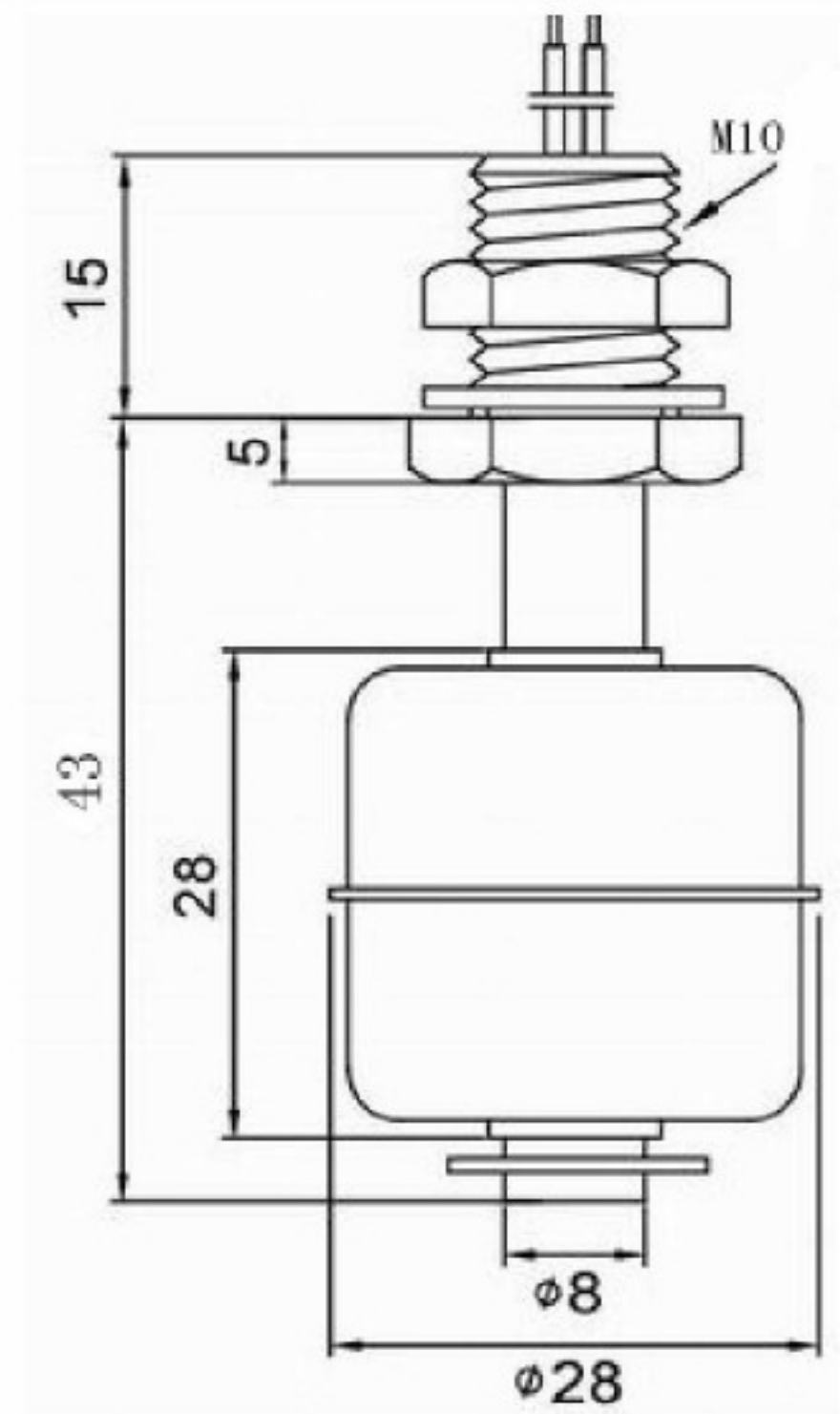


# Float Level Sensor

## 5CFS-1043-1C



### Materials

- \* Body Material: SUS304
- \* Float Material: SUS316
- \* Lead wire: 1430/24#/350mm

### Specification

Order Information	A	B	C
Contact Type	N.O.   N.C.	N.O.   N.C.	Change Over
Switching Power(max)	10W	50W	5W
Switching Voltage(max)	DC100V/AC80V	DC250V/AC200V	DC175V/AC125V
Breakdown Voltage(min)	200V	580V	200V
Switching Current(max)	0.5A	1.0A	0.25A
Carrying Current(max)	DC1.0A	DC3.0A	DC0.5A
Initial Resistance(max)	0.2Ω	0.2Ω	0.2Ω
Insulation Resistance (min)	10 <sup>9</sup> Ω	10 <sup>9</sup> Ω	10 <sup>9</sup> Ω
Operating Temperature	-40~150℃	-40~150℃	-40~150℃