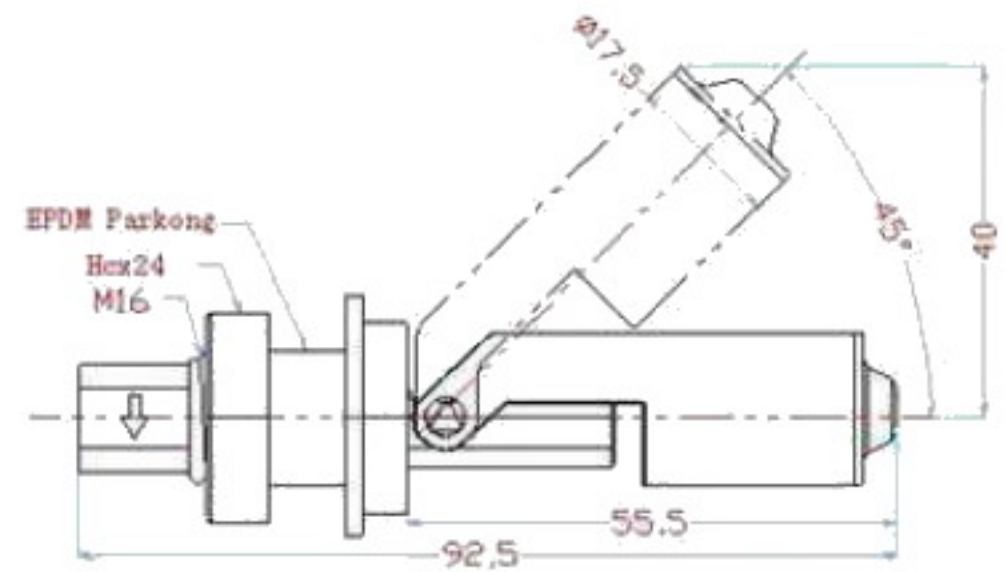


5CPS-YZ-5H

- * Body Material:PP+GF
- * Float Material & E-ring:PP
- * Switching Form: Normally Open
- * Lead wire:1430/22#/430mm
- * Package: 400pcs/carton,13.0KG
- * Carton Size: 375*295*300mm



5CFS-YZ-5/H



Specification-----

Order Information	NO-10 NC-10	NO-50 NC-50
Switching Power(max)	10W	50W
Switching Voltage(max)	DC100V	DC220V
Breakdown Voltage(min)	200V	300V
Switching Current(max)	0.5A	1.5A
Carrying Current(max)	DC1.0A	DC3.0A
Initial Resistance(max)	0.1Ω	0.1Ω
Insulation Resistance (min)	10 ⁹ Ω	10 ⁹ Ω
Operating Temperature	-10~85℃	-10~85℃