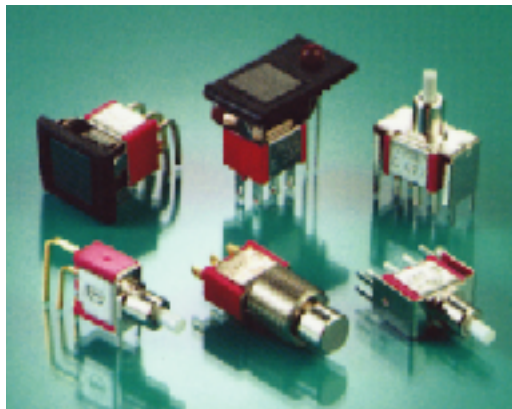


Push Button Switch 7M Series(On-On)



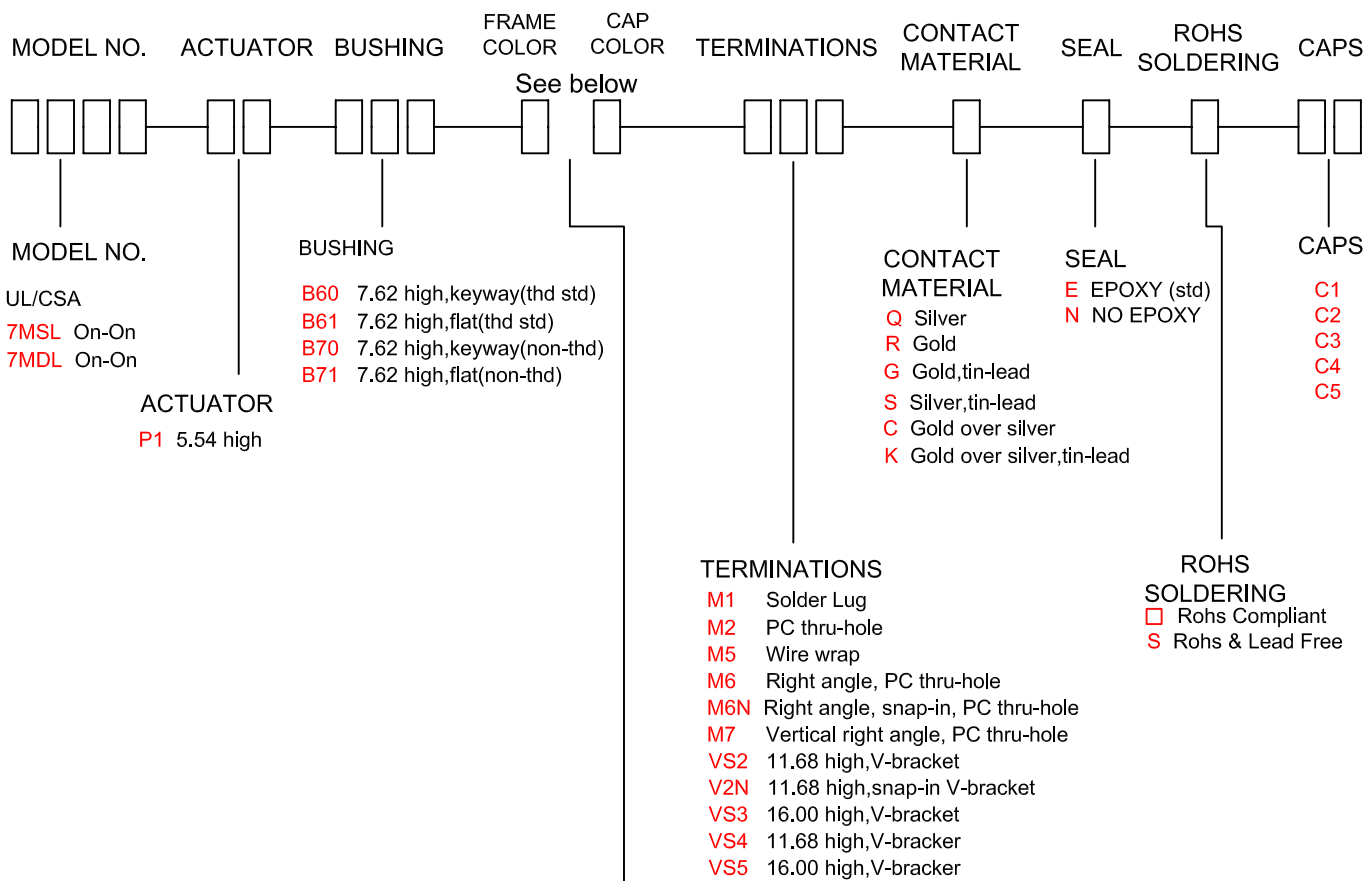
SPECIFICATIONS

CONTACT RATING: Dependent upon contact material
MECHANICAL LIFE: 50,000 make-and-break cycles at full load.
CONTACT RESISTANCE: 20mΩ max. initial @ 2-4VDC
 100mA for both silver and gold plated contacts.
INSULATION RESISTANCE: 1,000MΩ min.
DIELECTRIC STRENGTH: 1,000 V RMS@seal level.
OPERATING TEMPERATURE: -30°C to 85°C.

MATERIALS

CASE - Diallyl phthalate (DAP)(UL94V-0).
PLUNGER - Glass filled Nylon or Glass filled polyester.
BUSHING - Brass,nickel plated.
HOUSING - Stainless Steel.
CONTACT - Silver or gold plated.

HOW TO ORDER



FRAME COLOR CAP COLOR
 See below

ITEN NO	COLOR	PANTONE
1	White	
2	Black (Std)	Black C
3	Red	1797C
4	Orange	Warm Red C
5	Yellow	115C
6	Green	336C
7	Blue	2787C
8	Brown	490C
9	Gray	Goal Gray C

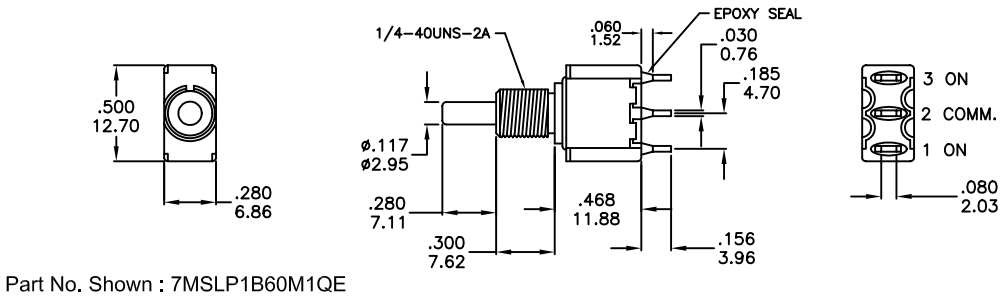
SWITCH FUNCTION

NO. POLES	UL/CSA MODEL NO.	MODEL NO.	SWITCH FUNCTION		CONNECTED TERMINALS/SCHEMATIC			
			POS.1	POS.2	POS.1		POS.2	
SP	Q271L	7MSL	ON	ON	1-2		2-3	
DP	Q272L	7MDL	ON	ON	1-2,4-5		2-3,5-6	

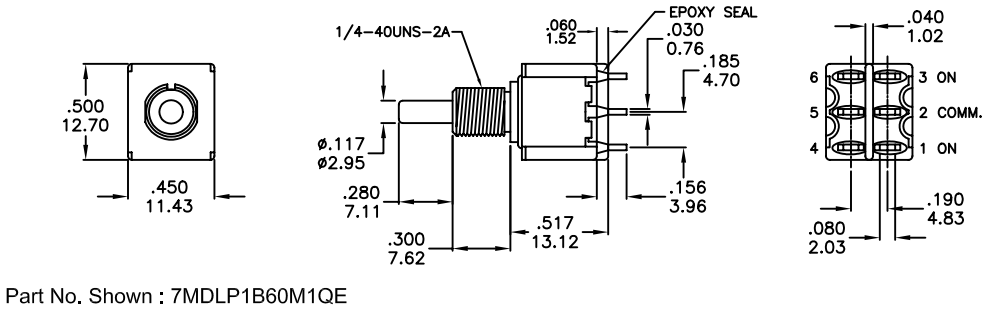
POLE OPTIONS



SPDT

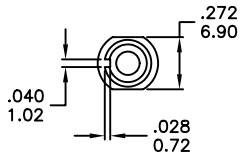


DPDT

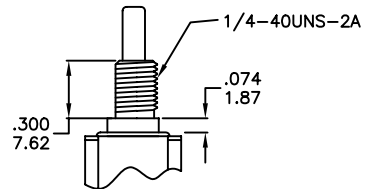
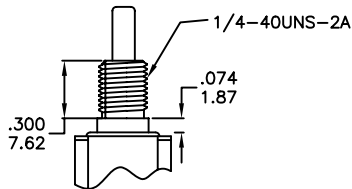
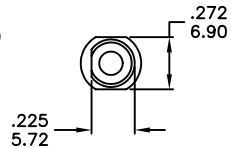


BUSHING OPTIONS

B60 THD STD
 B70 NON-THD

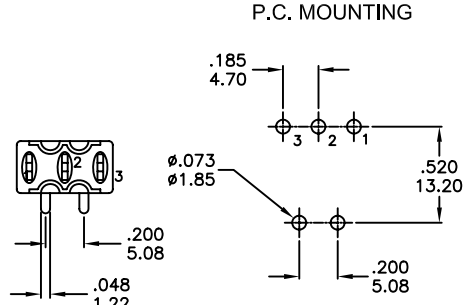
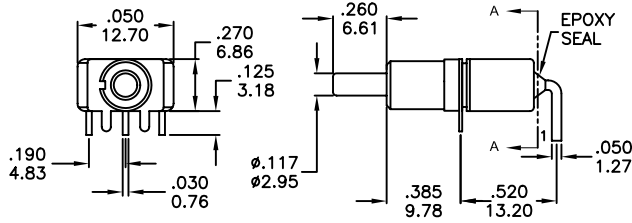


B61 THD STD
 B71 NON-THD



TERMINATION OPTIONS

M6

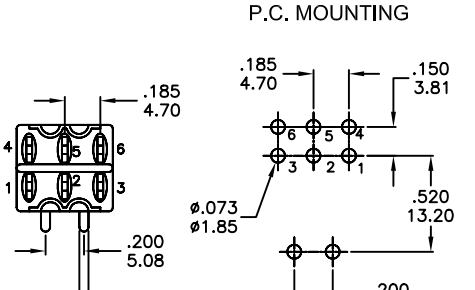
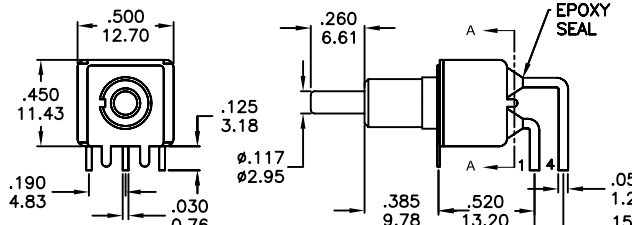


SPDT

Part No. Shown : 7MSLP1B70M6QE

SECTION A-A
 TERM.NOS.FOR
 REFERENCE ONLY

M6

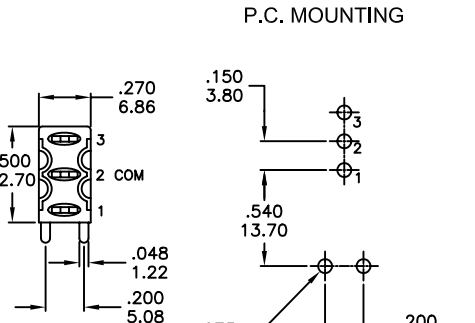
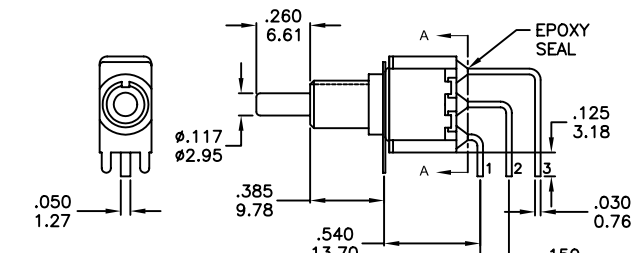


DPDT

Part No. Shown : 7MDLP1B70M6QE

SECTION A-A
 TERM.NOS.FOR
 REFERENCE ONLY

M7

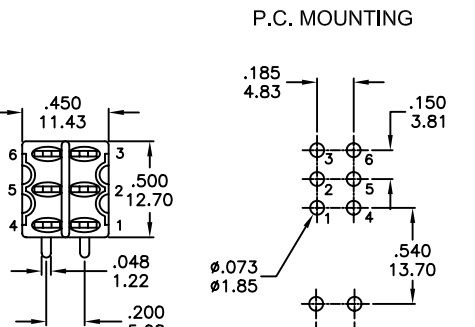
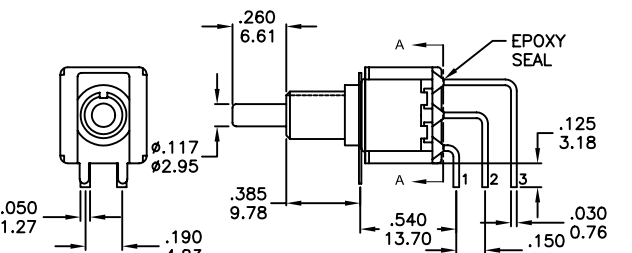


SPDT

Part No. Shown : 7MSLP1B70M7QE

SECTION A-A
 TERM.NOS.FOR
 REFERENCE ONLY

M7



DPDT

Part No. Shown : 7MDLP1B70M7QE

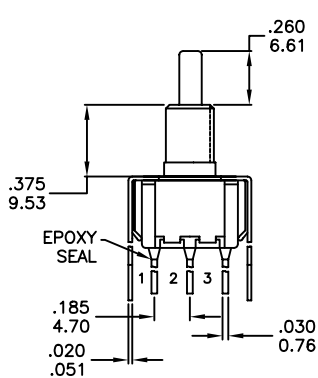
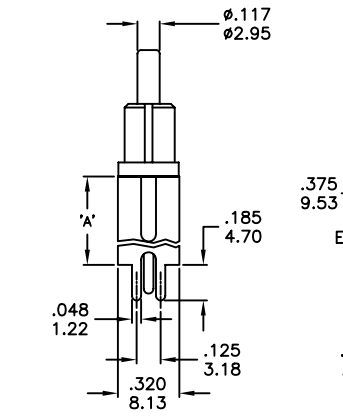
SECTION A-A
 TERM.NOS.FOR
 REFERENCE ONLY

Push Button Switch 7M Series(On-On)

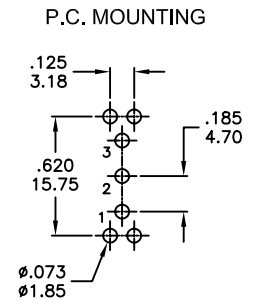
VS2-VS3



SPDT



OPTION CODE	DIM. 'A'
VS2	.460 11.68
VS3	.630 16.00

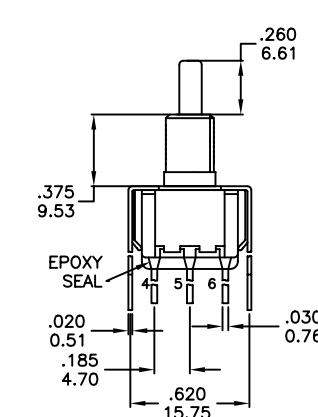
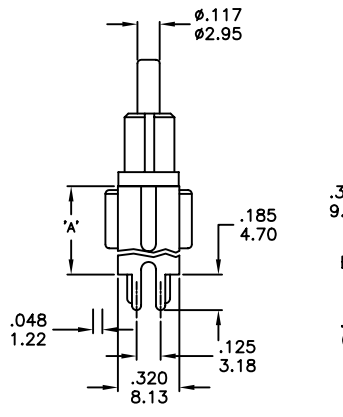


Part No. Shown : 7MSLP1B70V2QE

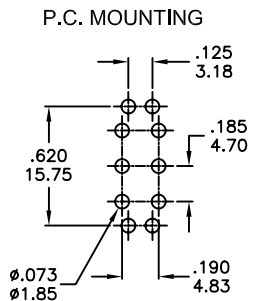
VS2



DPDT



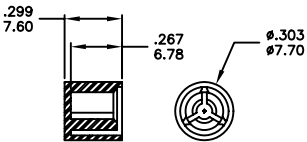
OPTION CODE	DIM. 'A'
VS2	.460 11.68



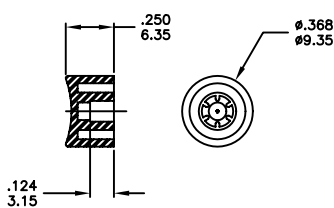
Part No. Shown : 7MDLP1B70V2QE

CAPS

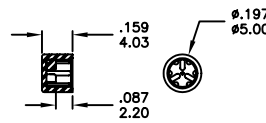
C1



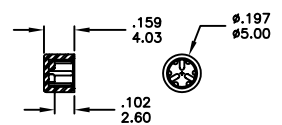
C2



C3



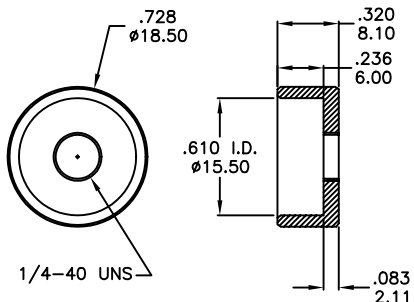
C4



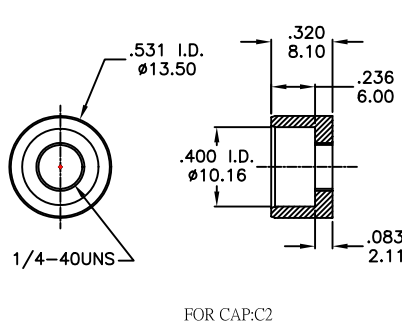
Colors: White, Black, Green, Red

HARDWARE

HDW21



HDW22



HDW23

