

NON-DIRECTIONAL TILT SWITCH 806 SERIES

NEW PRODUCT INTRODUCTION

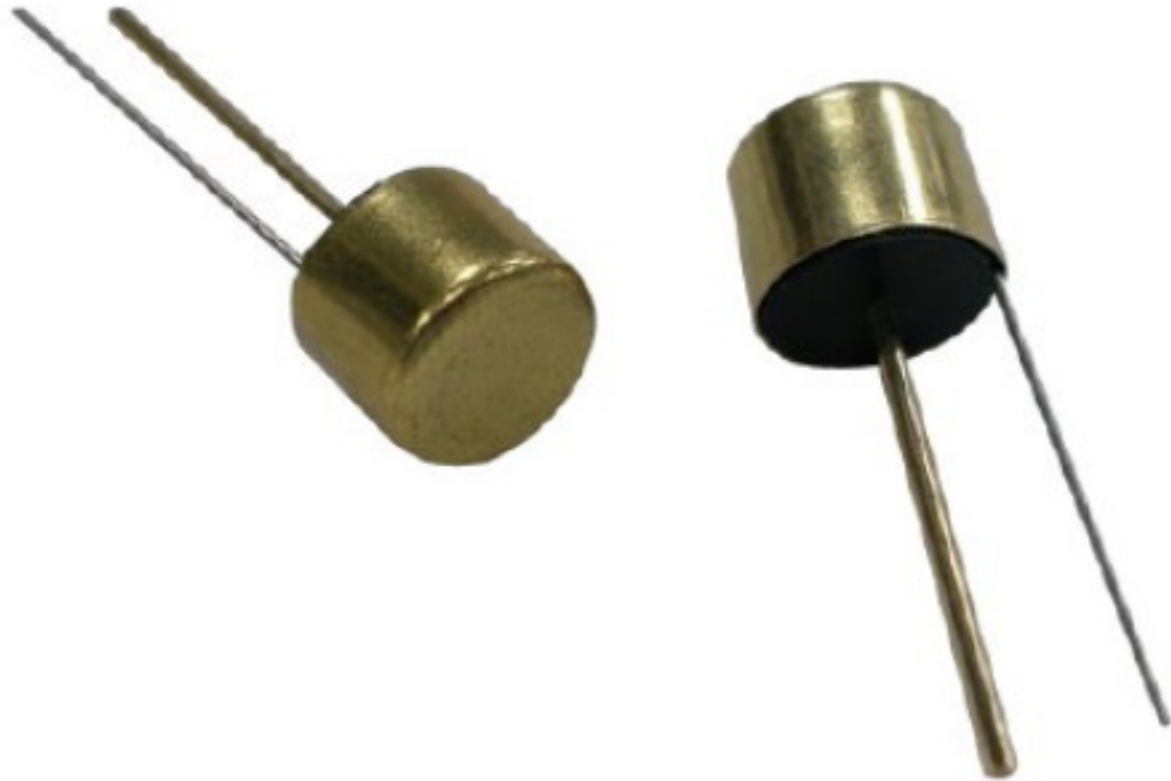
- 806 series is a sensitive normally closed tilt switch. Made in environment-friendly materials so can directly replace mercury switch. Easy to be designed in small and PCB device. Non-directional design offers the simple signal-issued solution for home applications.

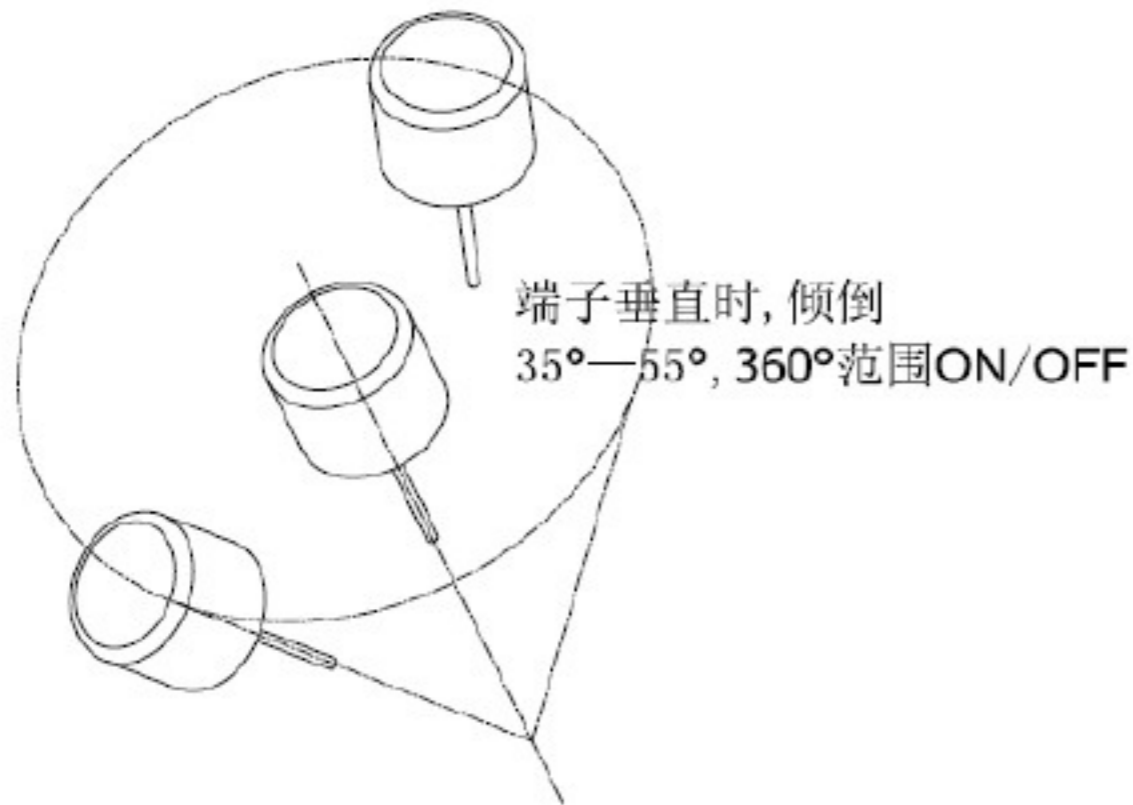
APPLICATION

- Game machines and toys, Security systems, Electrical and electronic products, Personal security alarms, Vibration sensors, Car alarms.

SPECIFICATION

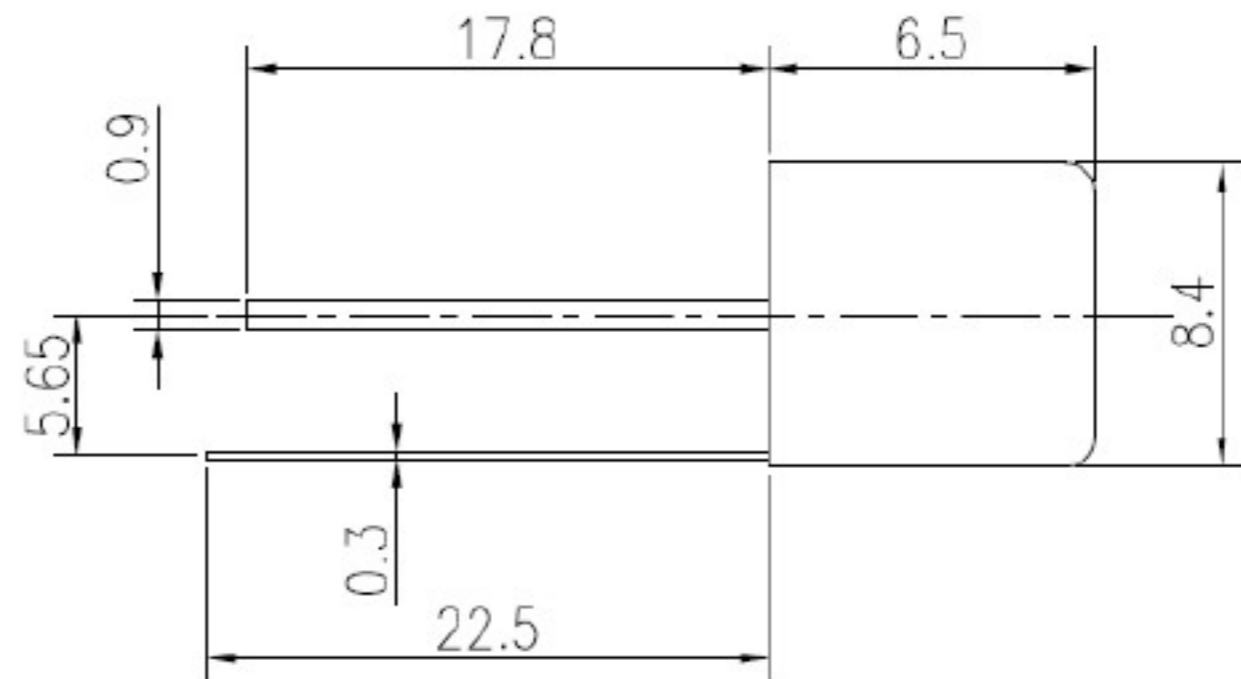
- Electrical Rating : 1~200mA /1~24VDC
- Electrical Life: > 1x10⁶ Cycles
- Contact Resistance: 10Ω (measured at 90° tilt)
- Solder Temperature: 260°C 5 Seconds (Solder bath)
350°C 3 Seconds (Solder iron)
- Ambient Temperature: -25°C~85°C





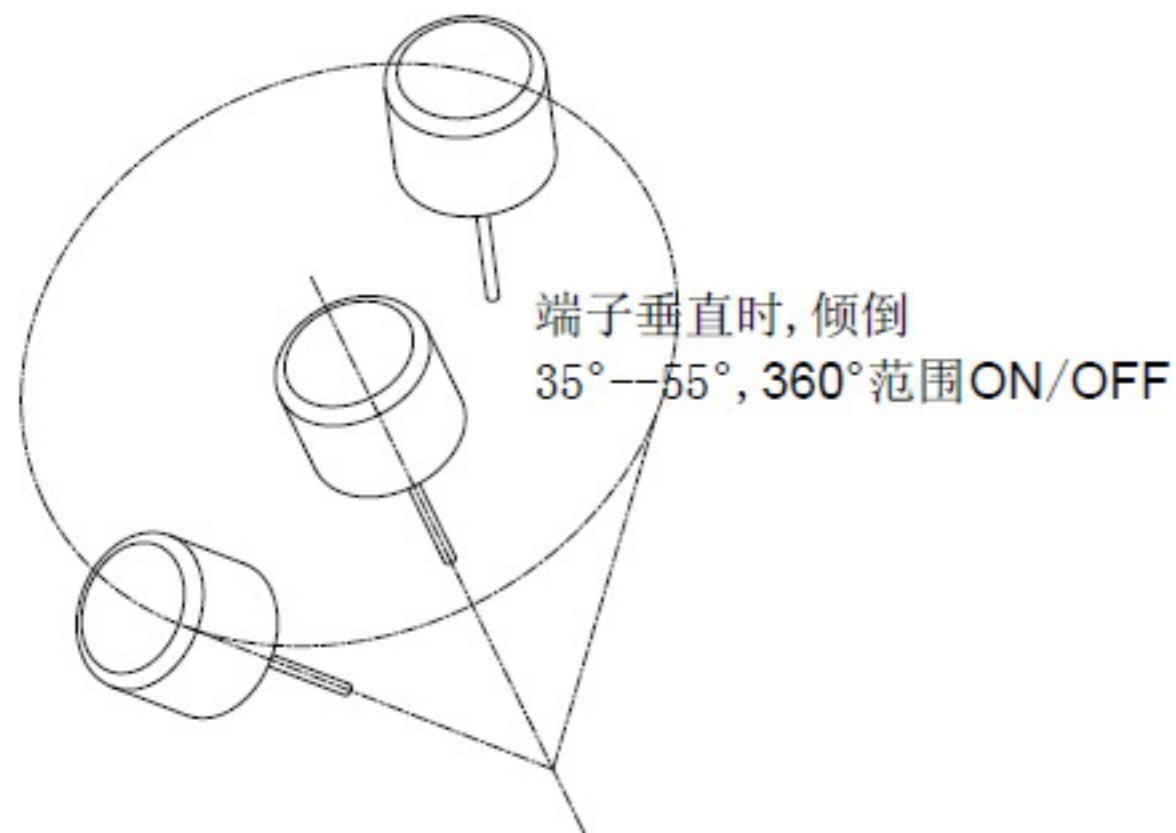
Technical specification

1. Maximum switch rating: 1~200mA/1~24V DC
2. Electrical life endurance: >3x10⁷ cycles
3. Contact resistance :10 Ohm max(measured at 90° tilt)
4. Switching Angle: 45°±10°
5. Solder temperature: 260°C 5 seconds. (Solder bath)
350°C 3 seconds. (Solder iron)
6. Operating temperature: -25°C~85°C



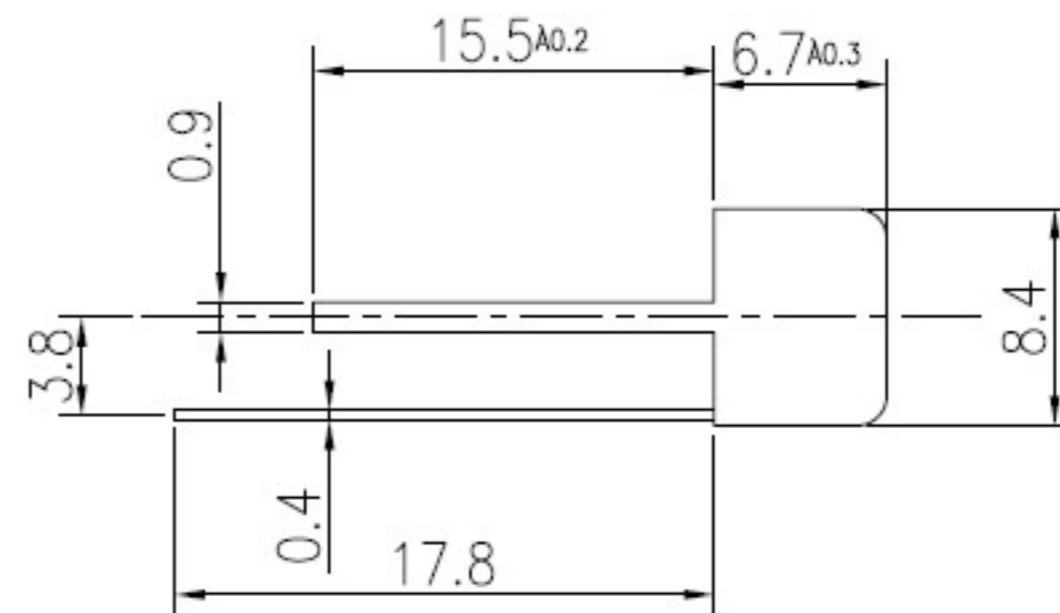
Part No.	806BEUTE	Honest-Well Co., Ltd.					
Dwg. NO.	806BEUTE						
Series NO.	806BEUTE	Drawing	Luyanchao	Auditing	Zengliuhua		
Dwg Name	0806	Scale	2:1	Date	2009-03-12	Page	1/1





Technical specification

1. Maximum switch rating: 1~200mA/1~24V DC
2. Electrical life endurance: $>3 \times 10^7$ cycles
3. Contact resistance : 10 Ohm max (measured at 90° tilt)
4. Switching Angle: $45^\circ \pm 10^\circ$
5. Solder temperature: 260°C 5 seconds. (Solder bath)
350°C 3 seconds. (Solder iron)
6. Operating temperature: $-25^\circ\text{C} \sim 85^\circ\text{C}$



Part No.	806BLA2TEA	Honest-Well Co., Ltd.					
Dwg. NO.	806BLA2TEA						
Series NO.	806BLA2TEA	Drawing	Luyanchao	Auditing	Zengliuhua		
Dwg Name	0806	Scale	2:1	Date	2009-03-12	Page	1/1

