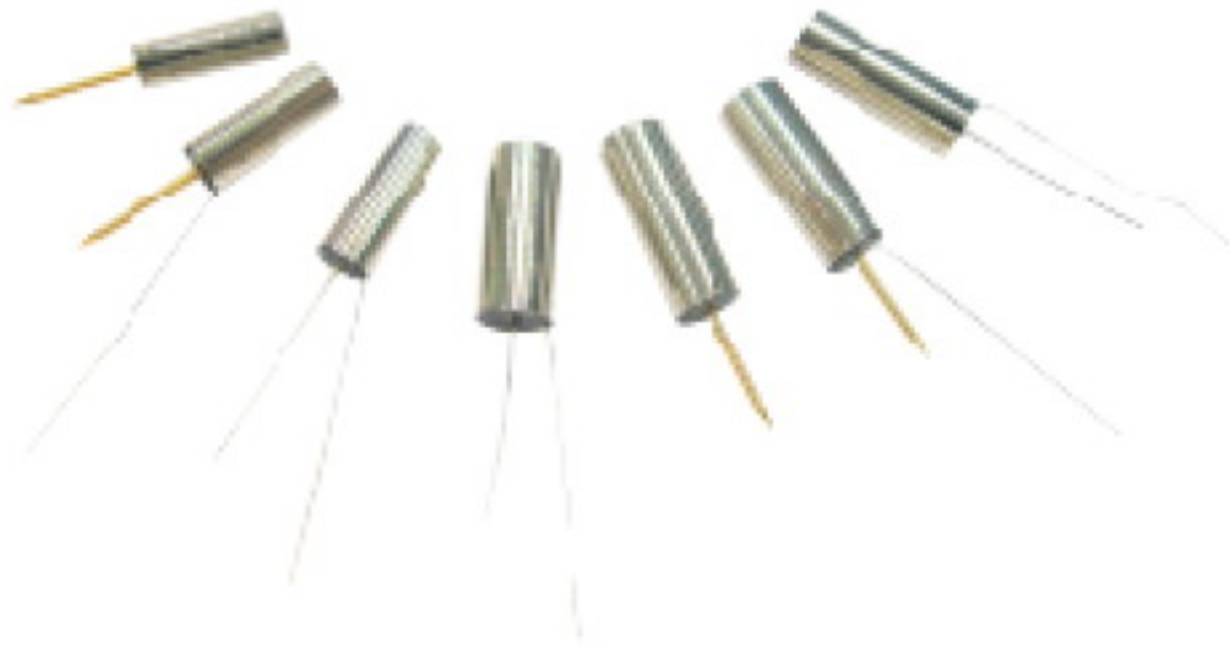


SPECIFICATION

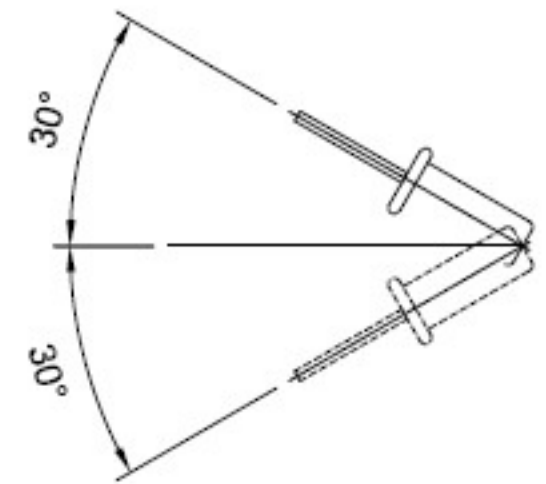
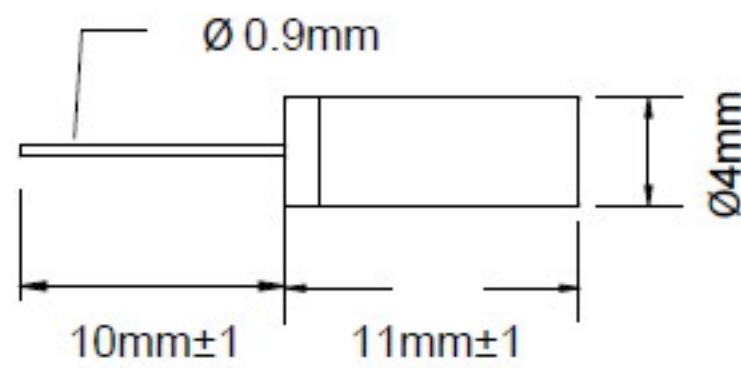
- Electrical Rating : 1~50mA / 1.5~24VDC
- Electrical Life: >100,000 Cycles
- Contact Resistance: 300mΩ
- Solder Temperature: 250°C 3 Seconds
- Ambient Temperature: 0°C~100°C

MATERIAL

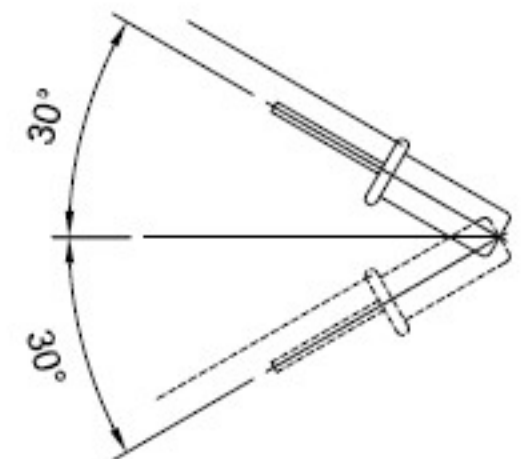
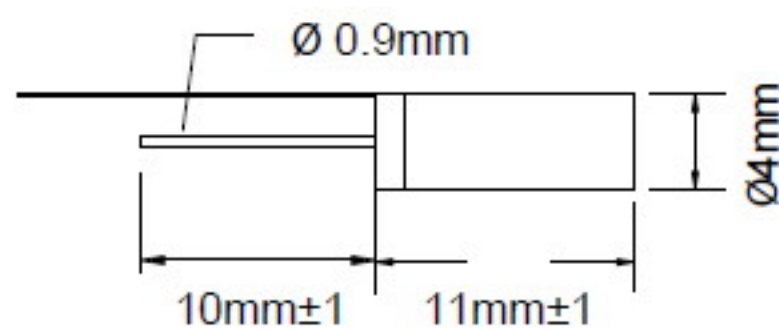
- Canister: Copper Shell Nickel Plated
- Electrode: Copper Gold Plated
- Rolling Ball: Stainless Steel Gold Plated
- Insulated Piece: Nylon 46(94V-0)



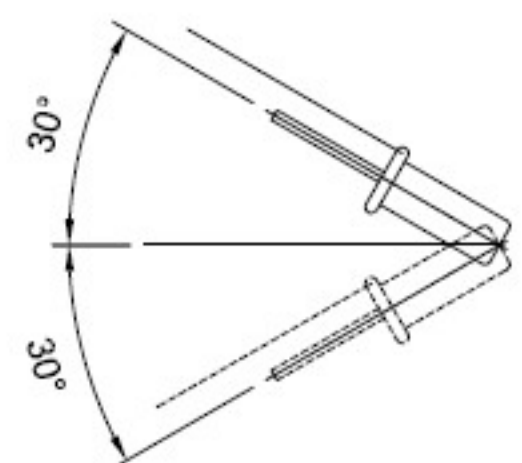
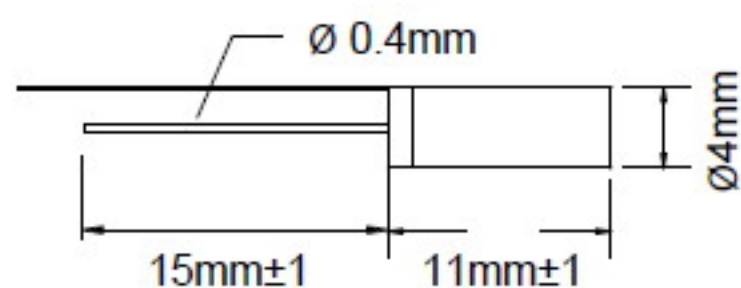
BT411 (Nickel Shell Coating)



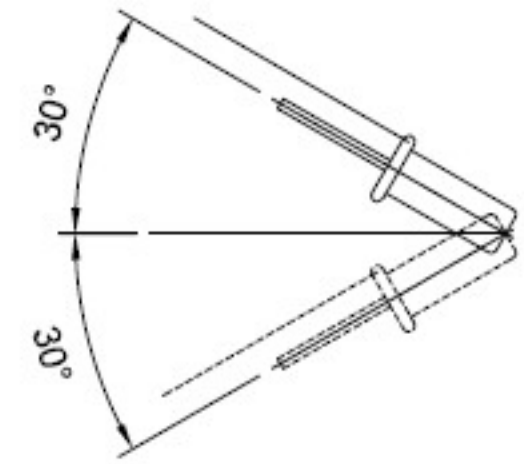
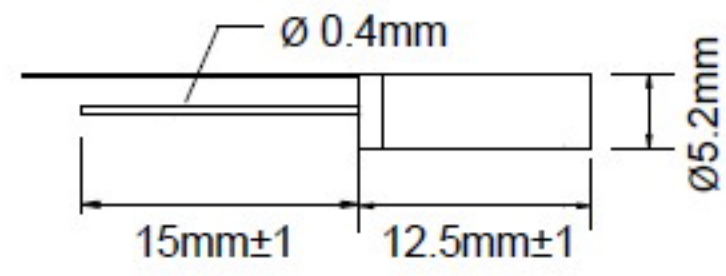
BT411-2



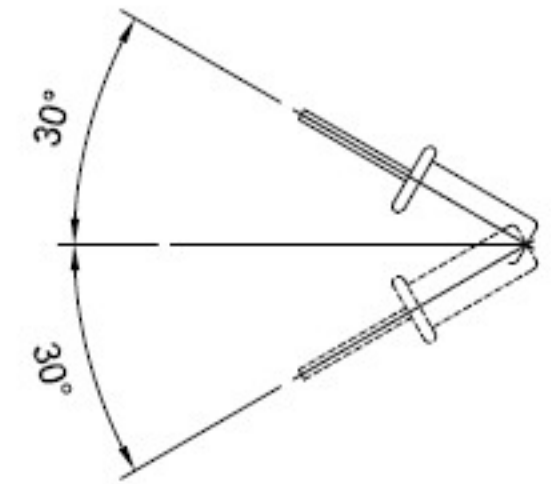
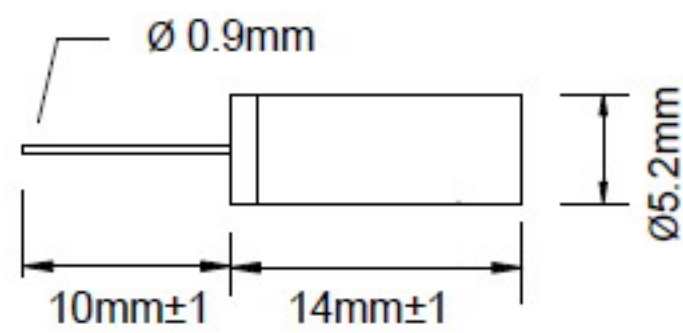
BT411-3



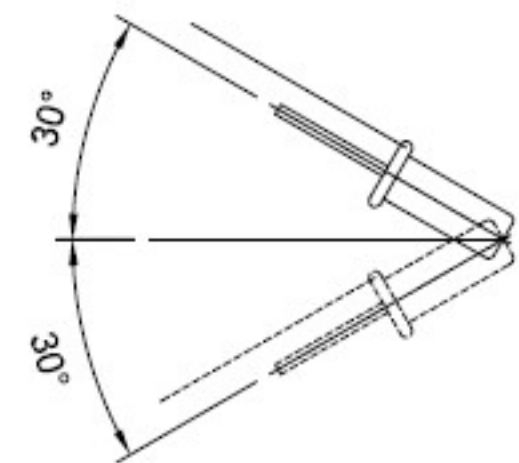
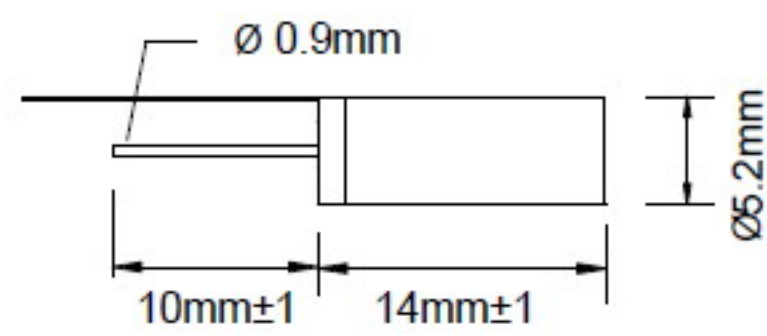
BT512-3



BT514



BT514-2



BT514-3

