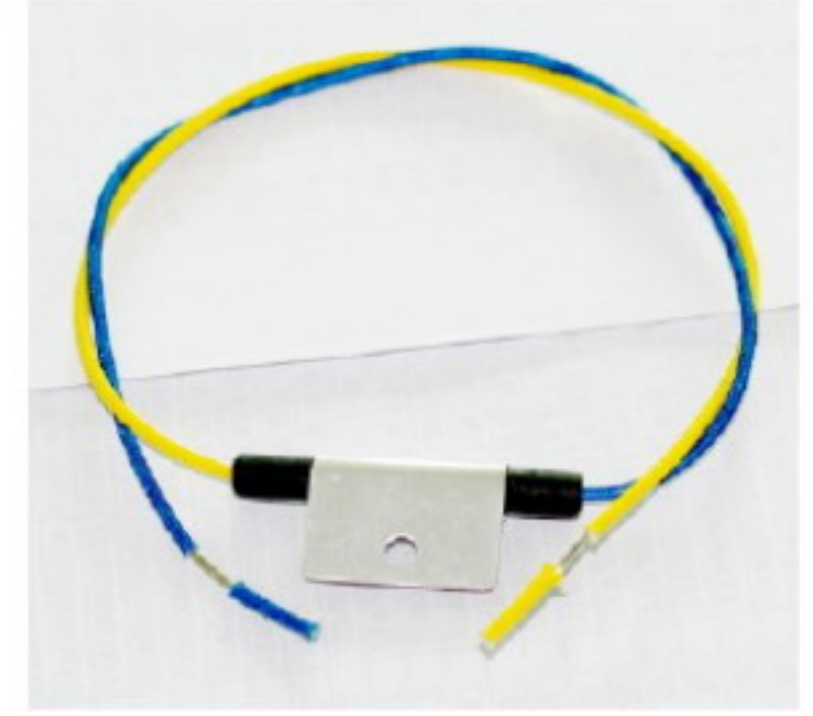
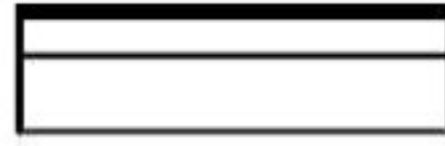
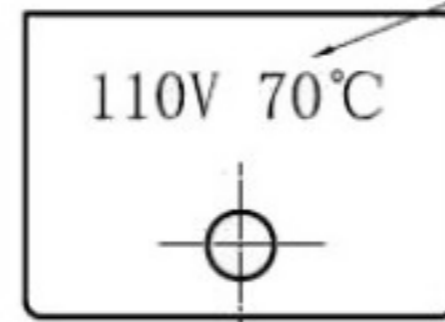


Lug (brass tin plated)



Mark [3]



Hazardous Substances	Restriction value
Cadmium (Cd)	<50ppm
Lead (Pb)	<600ppm
Mercury (Hg)	<600ppm
(Cr6+)	<600ppm
(PBB)	<600ppm
(PBDE)	<600ppm

Specification

1. Action temperature: (ON<OFF)

OFF: $70 \pm 2^{\circ}\text{C}$;

DIFF: $2 \sim 6^{\circ}\text{C}$;

2. Voltage: AC110V;

3. Power: 60W;

4. Contact Resistance: $\leq 150\text{m}\Omega$;

5. Insulation Resistance: $\geq 100\text{M}\Omega$;

6. Insulation Voltage Test: AC1800V/s/5mA

7. ROHS certificate

7	Wick	1	0.5mm wick	
6	Reed switch	1	OKI or other	
5	Soft magnet ring	2	Ferrite	
4	Hard magnet ring	1	Ferrite	
3	Shell	2	PA66	
2	Wire	1	silicon braid	black
1	Fasten lug	1	brass tin plated	
NO	Item	Q'ty	Description	remark

Honest-Well Co., Ltd.

Thermal Reed Switch

CTR-70BB

标记	处数	更改文件号	签字	日期
设计			标准化	
校对			批准	
审核				
工艺			日期	

图样	标记	重量	比例
			1:1
共	页	第	页