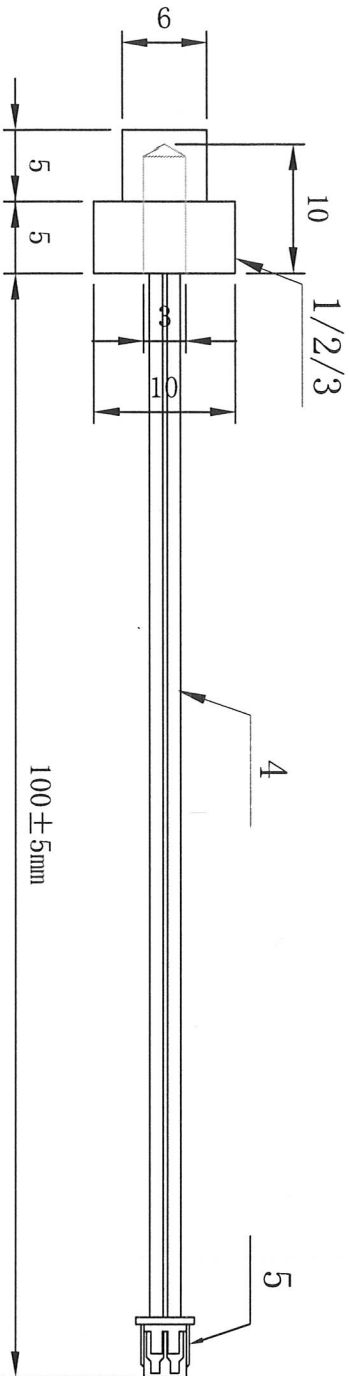


Mark	Amount	Subjects of Change	Edition	Date
		Establishment	1.0	Feb. 20, 2020
		Updated connector model.	1.1	Mar. 05, 2020



Items	Ratings	Remarks
Rated zero-power resistance R0°C	1000 Ω	Zero-power resistance is measured at 0°C.
Tolerance of rated zero-power resistance R0°C	±0.5% Ω	Do not contain line resistance
Hi-hot tes	AC1800V/2 Sec	shall be withstand between each end of sensor and the shell
Thermal time constant	About 25~30 Sec	
Dissipation constant	Min 3mW/°C	
Operating temperature range	-40°C~+200°C	

5	Connector	1	Molex 51021-0200	White
4	Wire	1	UL1332-30AWG2C/T5 Teflon 200°C	White
3	Glue		Epoxy	Black
2	Cap	1	φ6*1.0mm SLS 304	SLS 304
1	Thermistor	1	PT1000A	Heraeus
NO.	PART NAME	Q'TY	Material	Remark

Produced by	Li yan qiu	HONEST-WELL CO., LTD., P/N no. RQPT1000AD100T Unit: MM Date: Feb. 20, 2020
Checked by	Liu xiaoping	
Designed by	Dai xiaojun	
Approved by	Dai xiaojun	

A						
B						
C						
D						
E						
F						
		1	2	3	4	5
				6	7	