

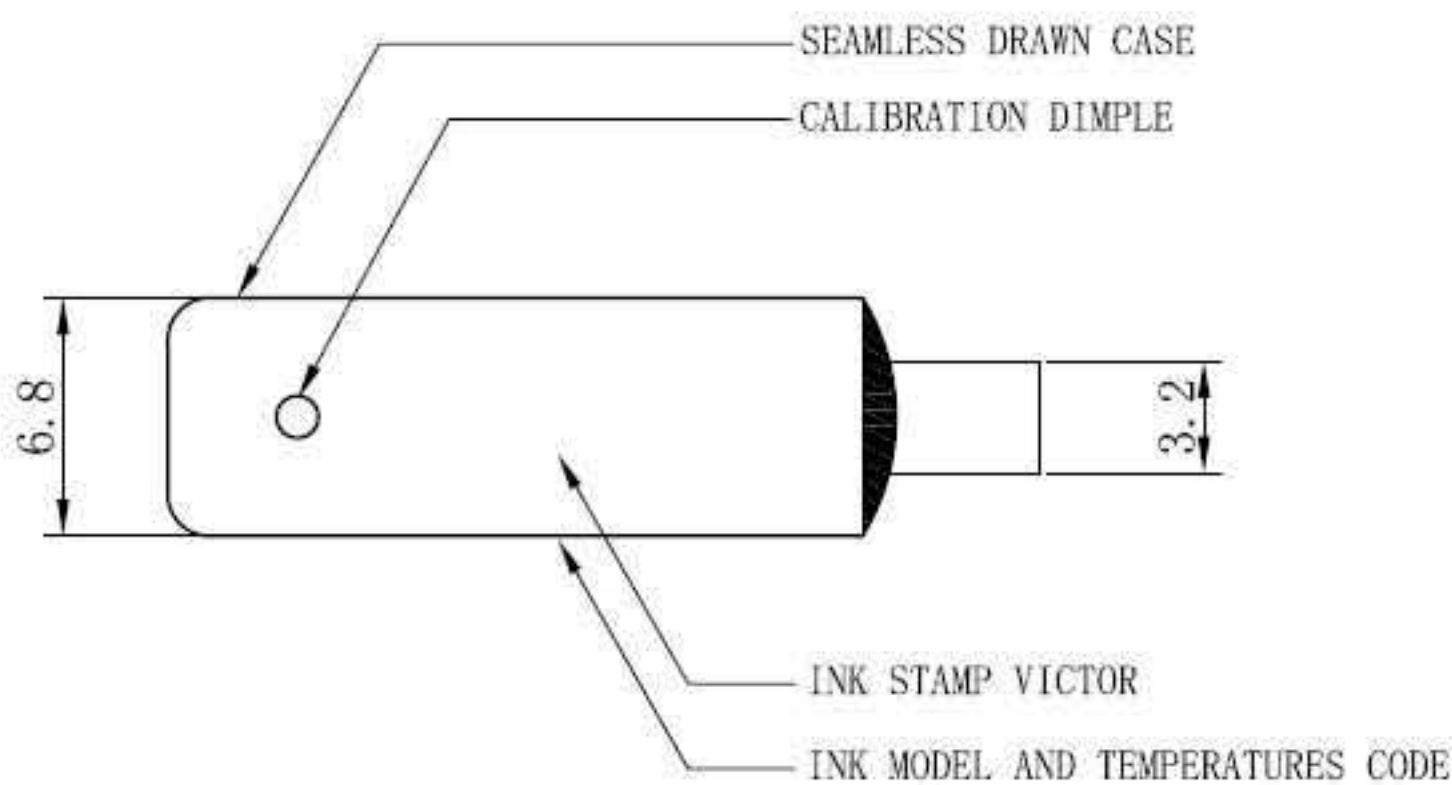
# MODEL HVC2

A creep action thermostat/thermal protector with conductive bimetal construction. Low internal resistance and available with gold diffused contacts for use in low voltage/low current applications.

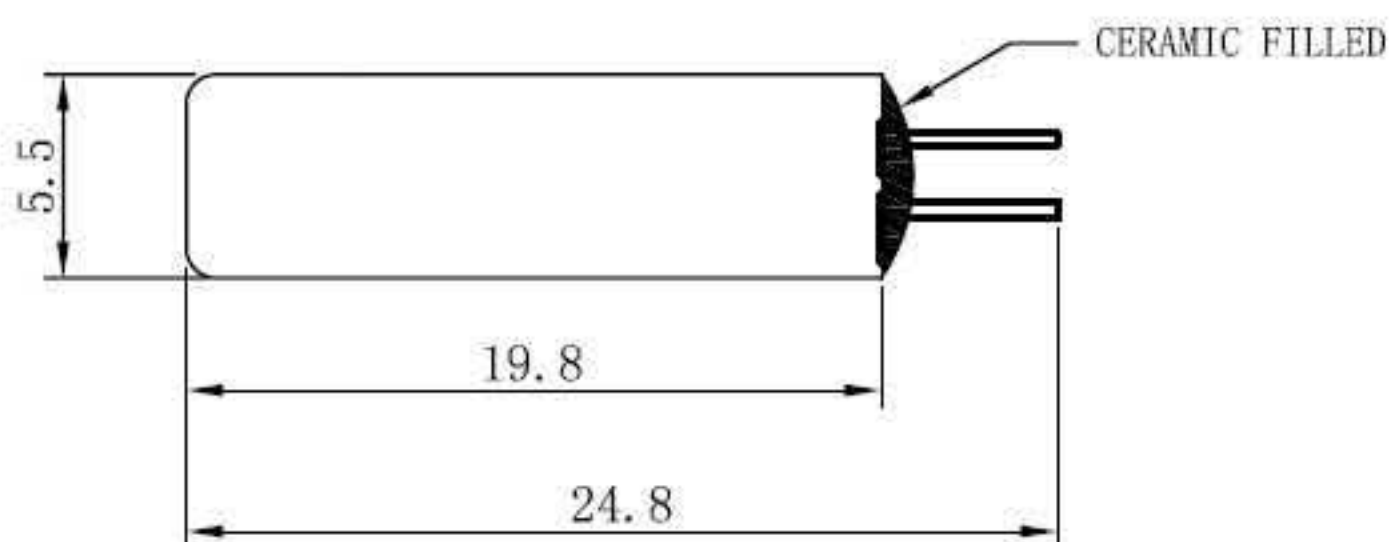


## MODEL HVC2

### TOP VIEW



### SIDE VIEW



METRIC DIMENSIONS ARE IN MM

## FEATURES

- It can be switch turn on / off gradually in order to maintain a constant & stable temperature.
- Gold plated silver interface are especially designed for low voltage and low current equipment.
- Quality bimetal (with low resistance) can allow stable circuit current.
- Preset down the temperature range before delivery, can't be adjustable.
- The case of switch is conductive, can use different lead wire or nickel plate to connect insulating sleeve is available.
- Model HVC1 (closing type) - Circuit will be opened when temperature goes up to certain pre-determined temperature.
- Model HVC1-R (opening type) - Circuit will be closed when temperature goes up to certain pre-determined temperature.

## CONTACT RATINGS

- AC 120V / 6 A
- DC 12V / 8 A
- Endurance Test: 100,000 cycles.

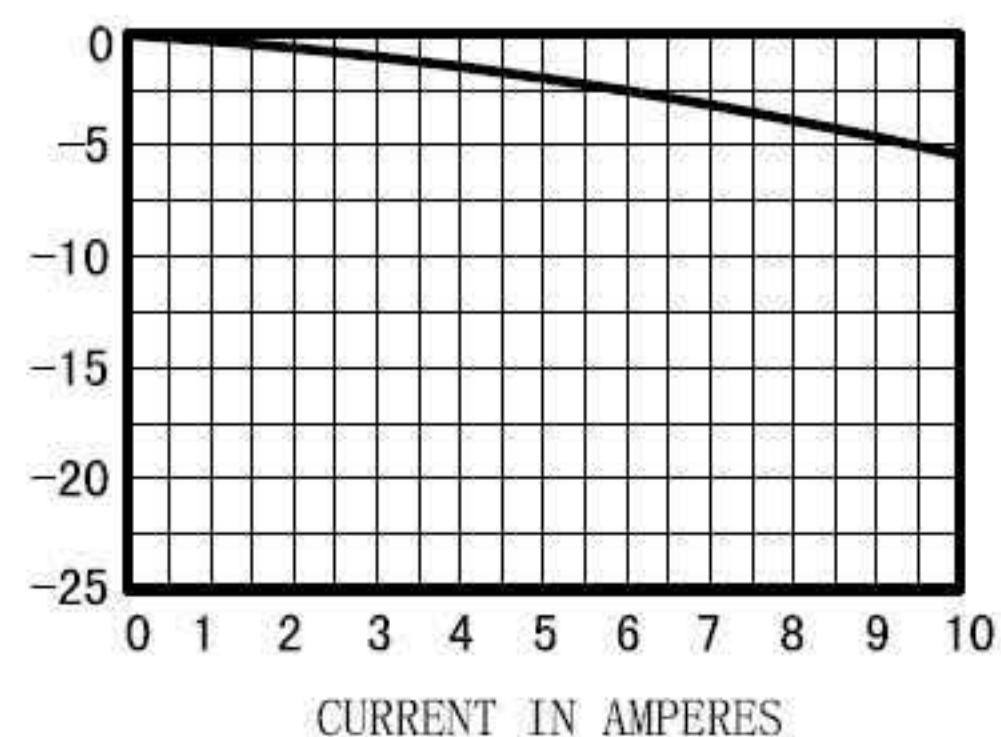
## CALIBRATION TEMPERATURE RANGE

- Temperature range from 35°C to 150°C is available.
- Standard tolerance is  $\pm 5^\circ\text{C}$ . However, tolerance within  $\pm 3^\circ\text{C}$  and  $\pm 8^\circ\text{C}$  is also available upon request.

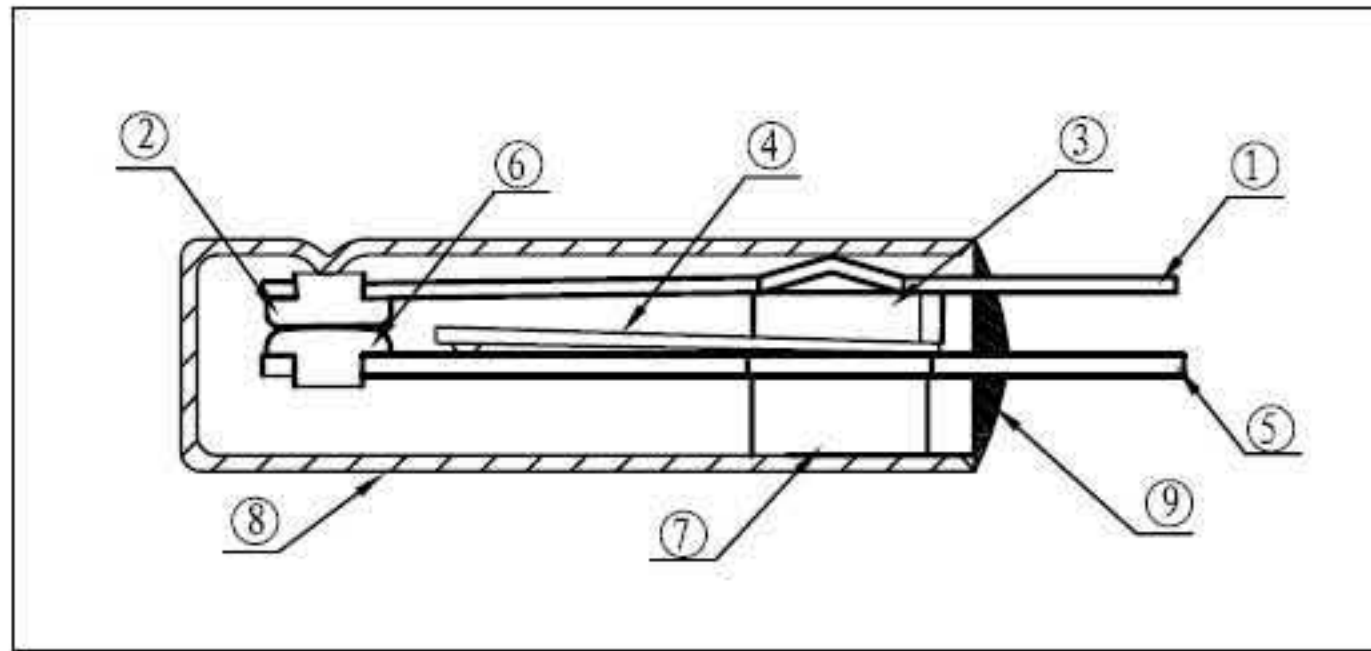
## Application Mark

- UL and C-UL certification
- RoHS (2002/95/EC Directive) correspondence

## CURRENT DERATING CURVE



Construction Chart



Dimension Chart

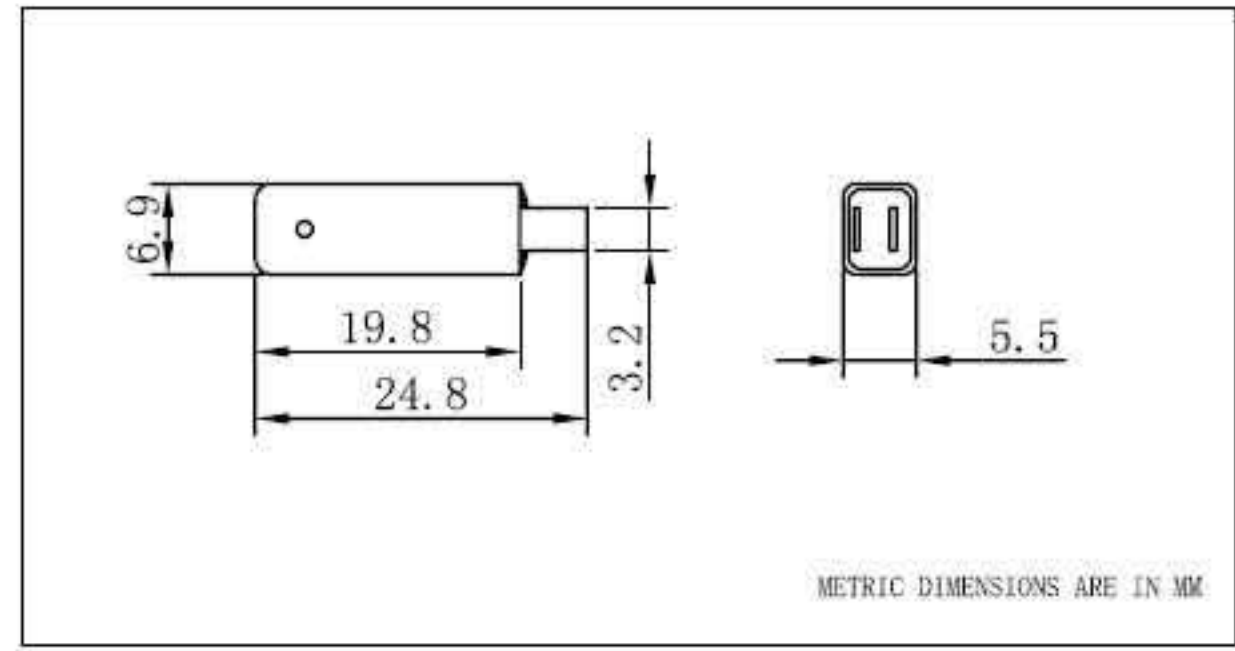
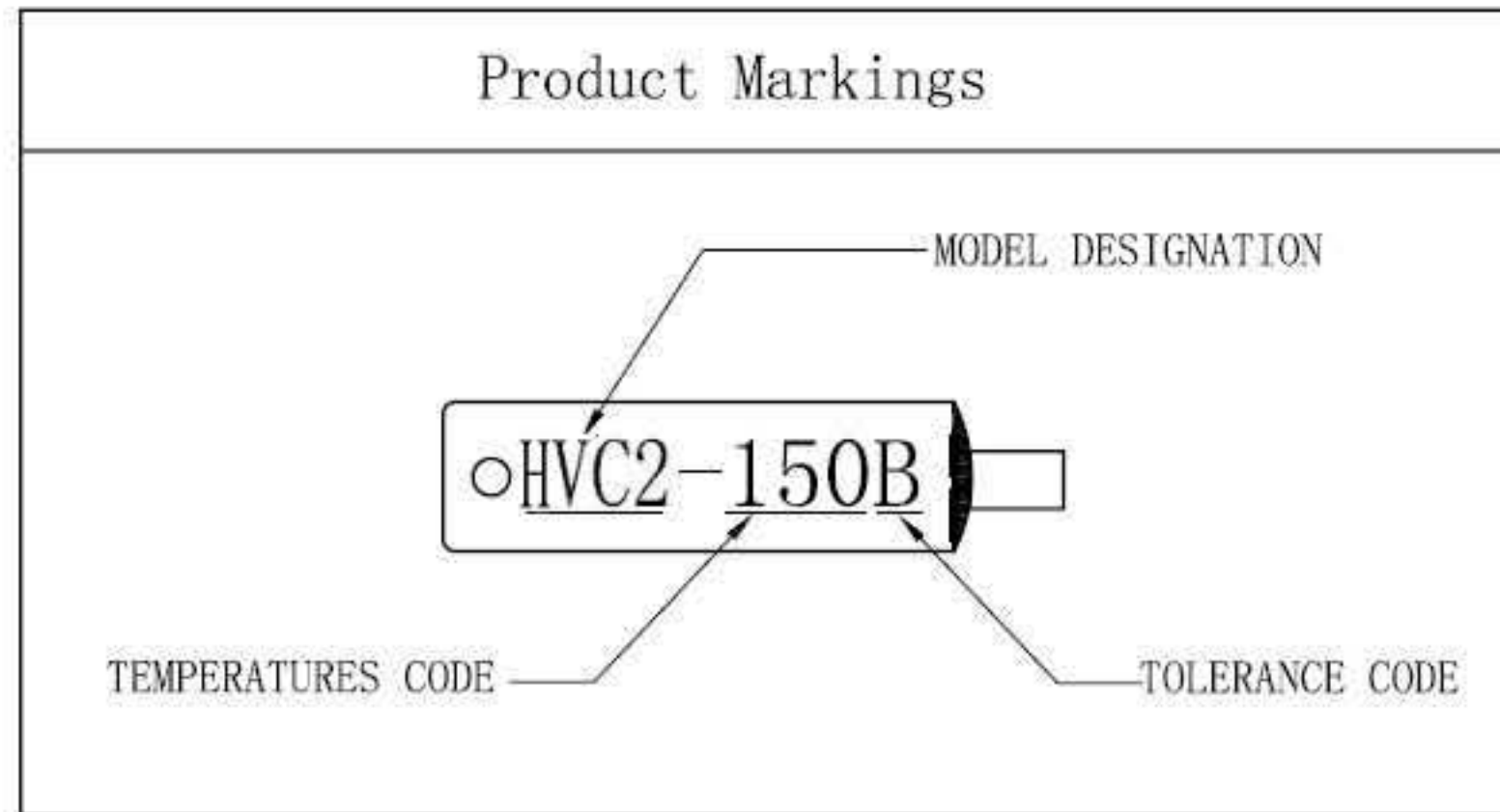


Chart of Reference Number of Action Temperatures

No.	OFF Temperature °C
005	5°C
010	10°C
015	15°C
020	20°C
025	25°C
030	30°C
035	35°C
040	40°C
045	45°C
050	50°C
055	55°C
060	60°C
065	65°C
070	70°C
075	75°C
080	80°C
085	85°C
090	90°C
095	95°C
100	100°C
105	105°C
110	110°C
115	115°C
120	120°C
125	125°C
130	130°C
135	135°C
140	140°C
145	145°C
150	150°C



Tolerance Code	
A	±3°C
B	±5°C
C	±8°C

