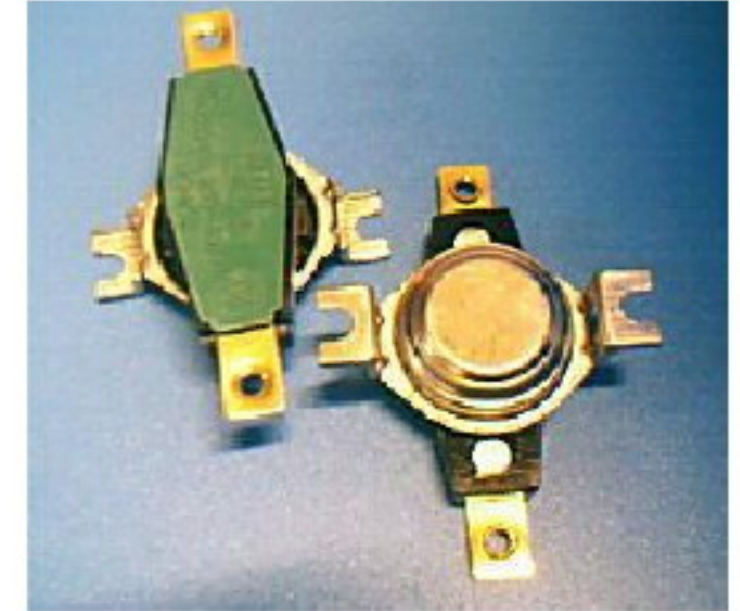




絃緯科技股份有限公司
Honest-Well Co., Ltd.

KSD301-61A

(3/4" Thermostat)



Electrical Ratings: AC120V--250V-----20A-60A

Circuit Control Mode: NC/NO (Automatic Resetting)

Rated Action Temperature: 45 °C ---190 °C(Designed by user's requirements)

Open Tolerance: ± 2 °C, ± 3 °C, ± 4 °C, ± 5 °C

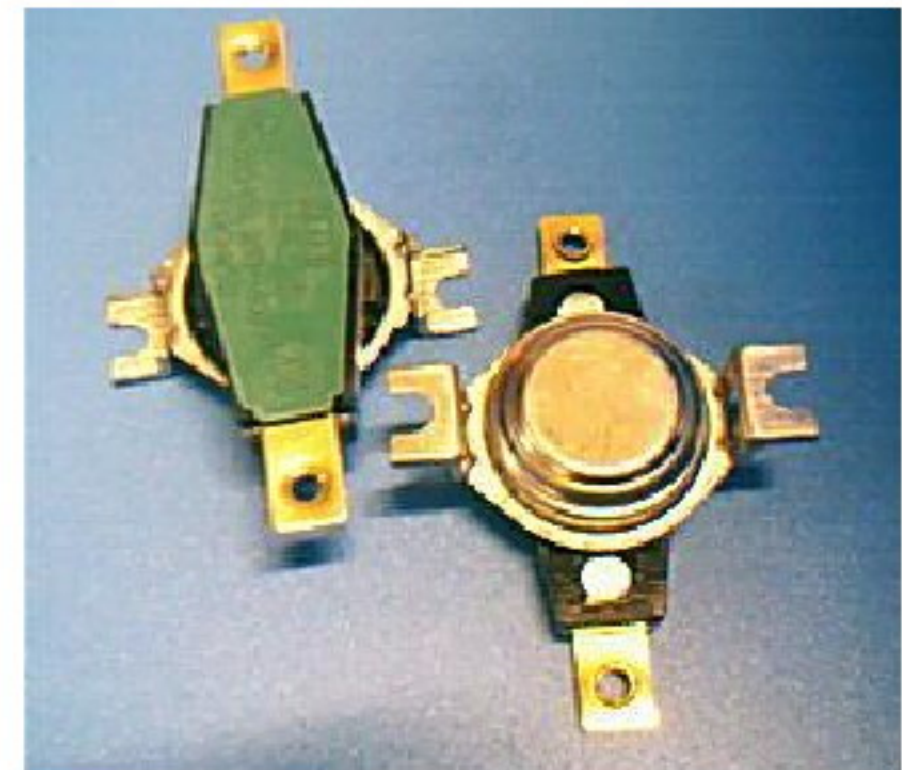
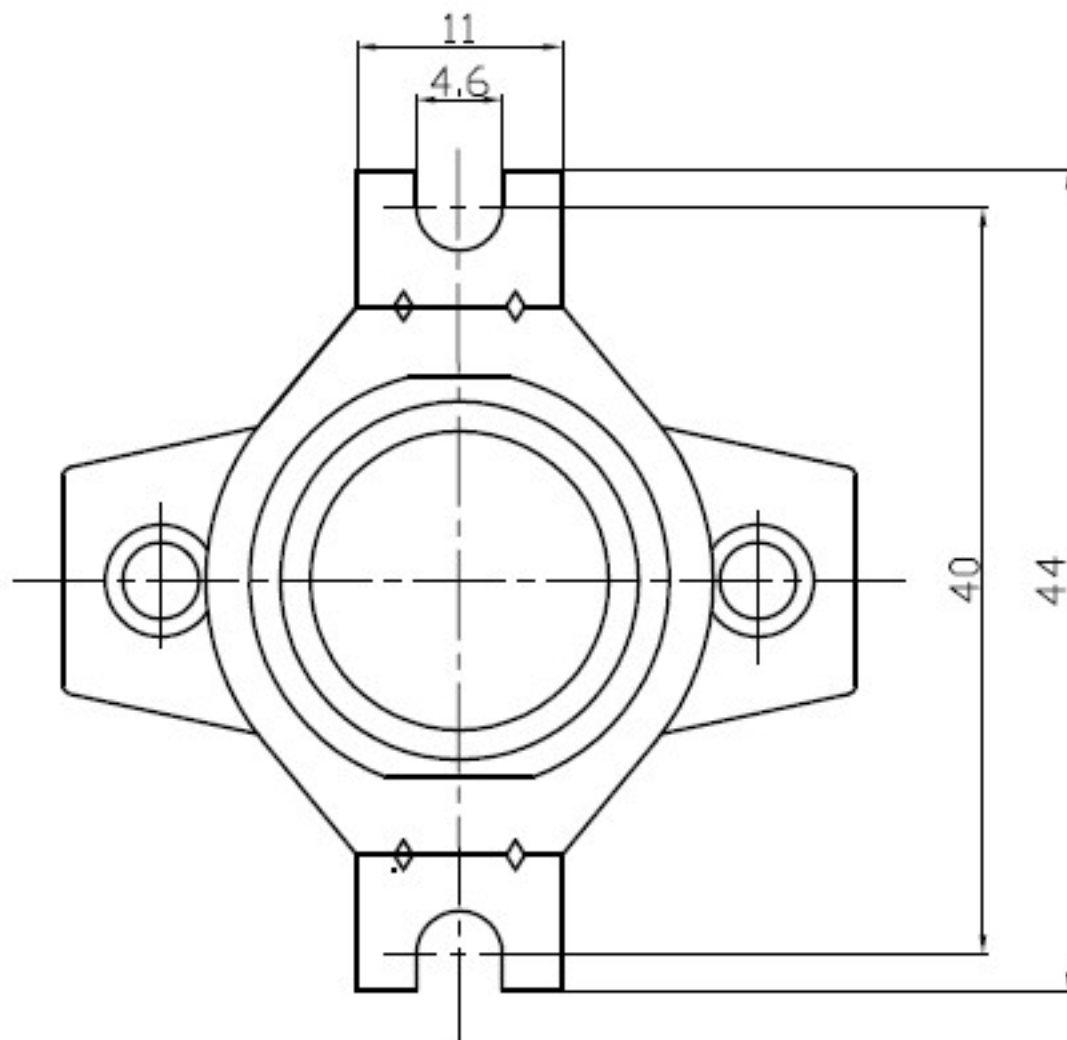
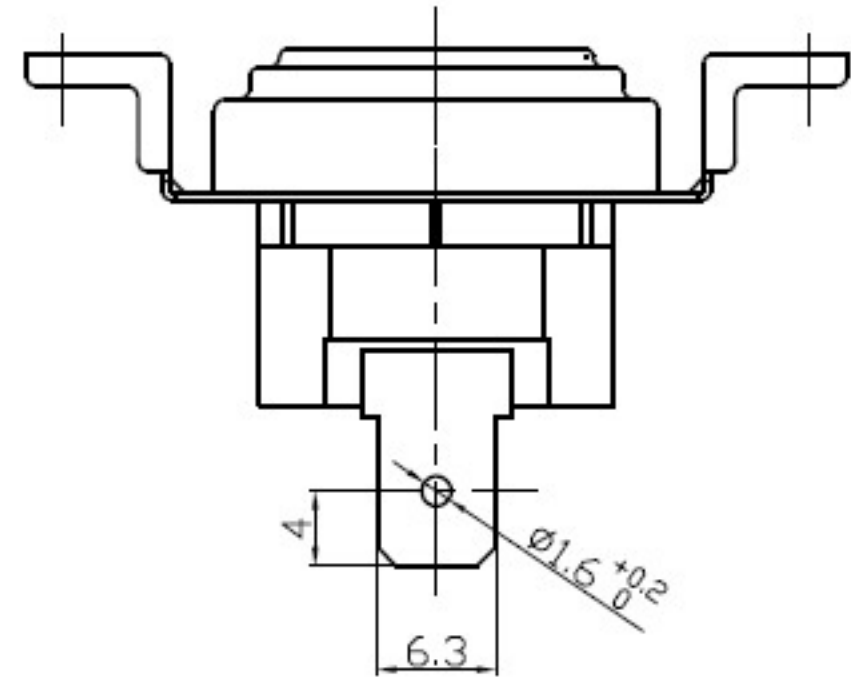
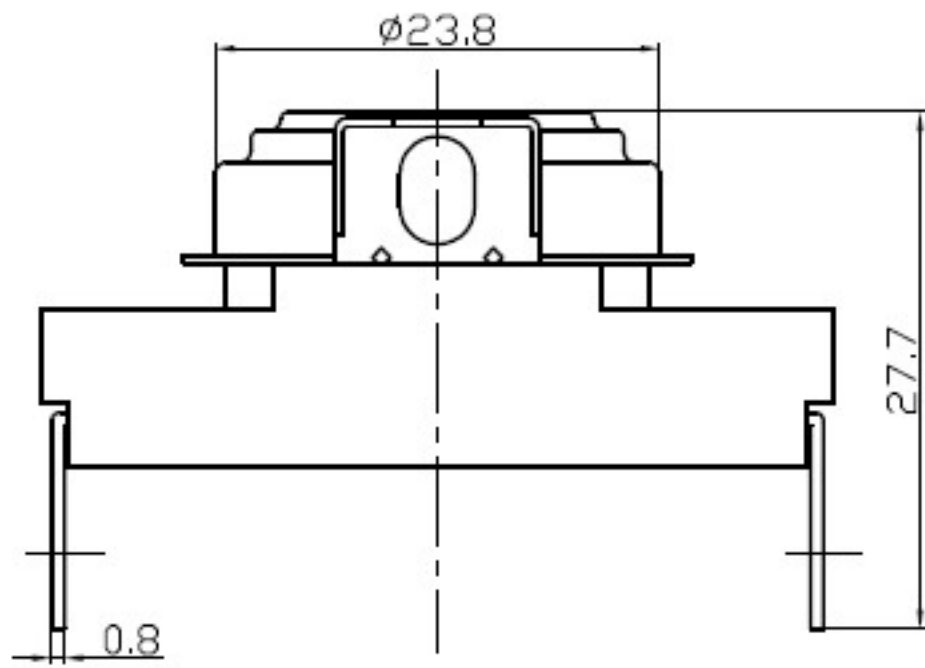
Open & Close Tolerance: 5°C -60°C

Close Tolerance: ± 5 °C, ± 10 °C

Action Cycle: No less than 50,000 times

Normal Electric Strength: Not Broken within 2000V / 1 minute, No flash.

Normal Isolated Resistance: $>100M \Omega$



Unit: mm