



絃緯科技股份有限公司  
Honest-Well Co., Ltd.

# KSD301-62A

## (3/4" Thermostat)



Electrical Ratings: AC120V--250V-----20A-60A

Circuit Control Mode: NC/NO (Automatic Resetting)

Rated Action Temperature: 45 °C ---190 °C(Designed by user's requirements)

Open Tolerance:  $\pm 2$  °C,  $\pm 3$  °C,  $\pm 4$  °C,  $\pm 5$  °C

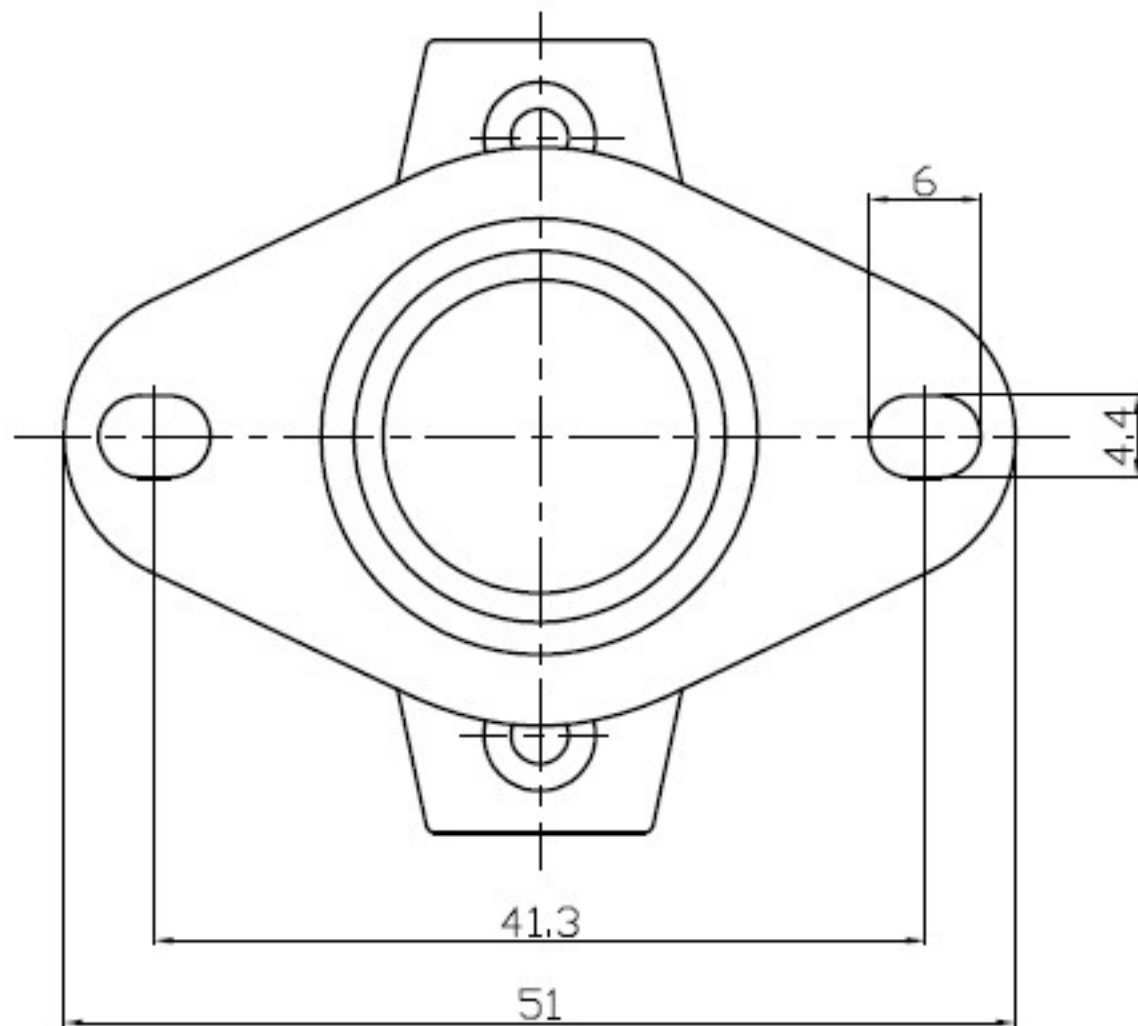
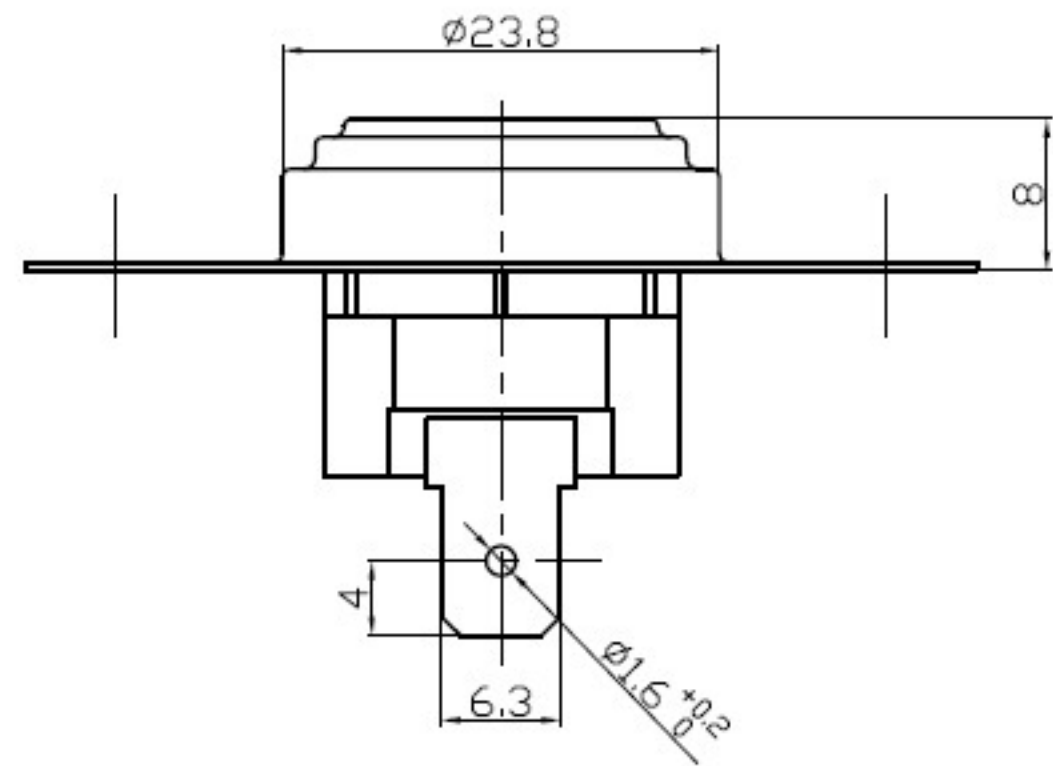
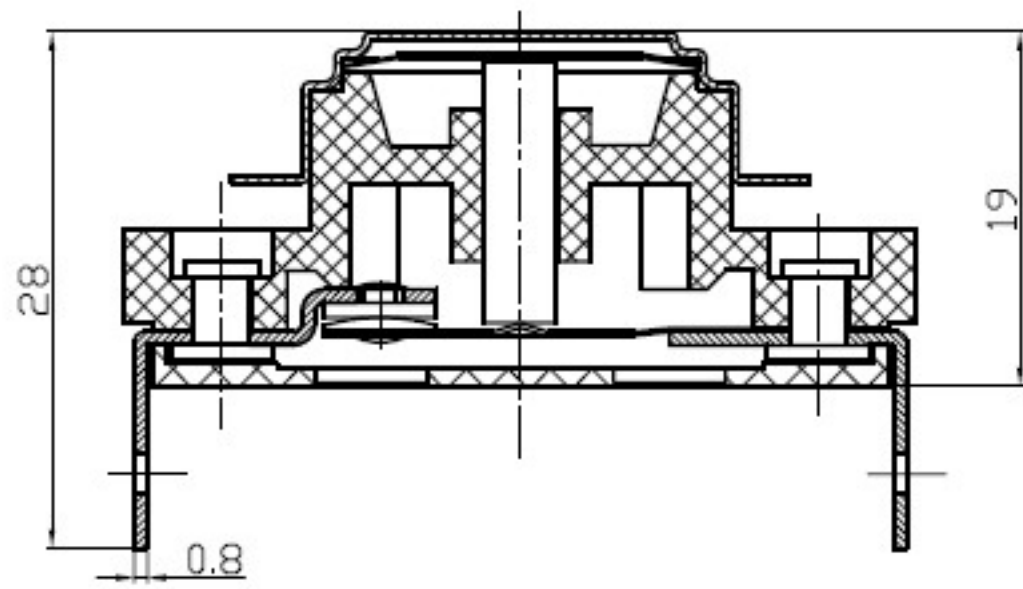
Open & Close Tolerance: 5°C -60°C

Close Tolerance:  $\pm 5$  °C,  $\pm 10$  °C

Action Cycle: No less than 50,000 times

Normal Electric Strength: Not Broken within 2000V / 1 minute, No flash.

Normal Isolated Resistance:  $>100M \Omega$



**Unit: mm**