

KST series (Adjustable Thermostats)



KST205



KST205



KST205-1



KST205-3



KST205-2

Specification:

Rating: AC250V/10A, AC120V/15A

Temperature setting range: all standard from 0 to 250 degrees Celsius

Maximum Temperature: all standard 250 degrees Celsius

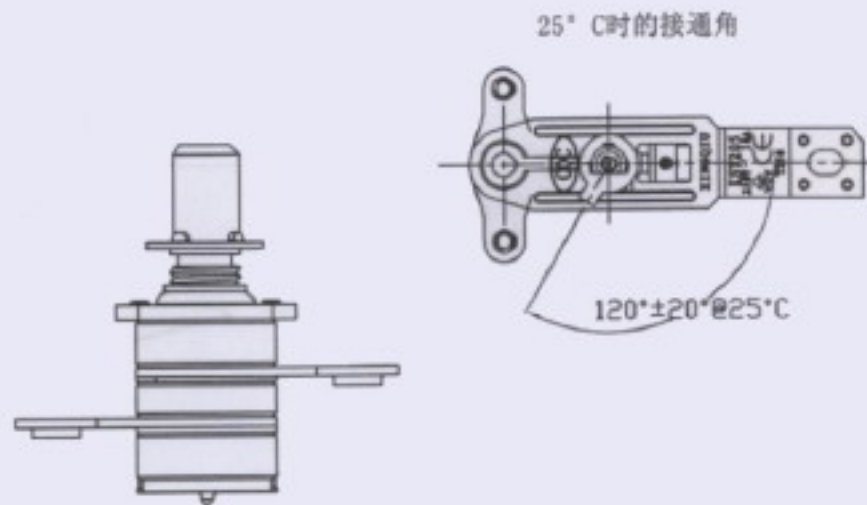
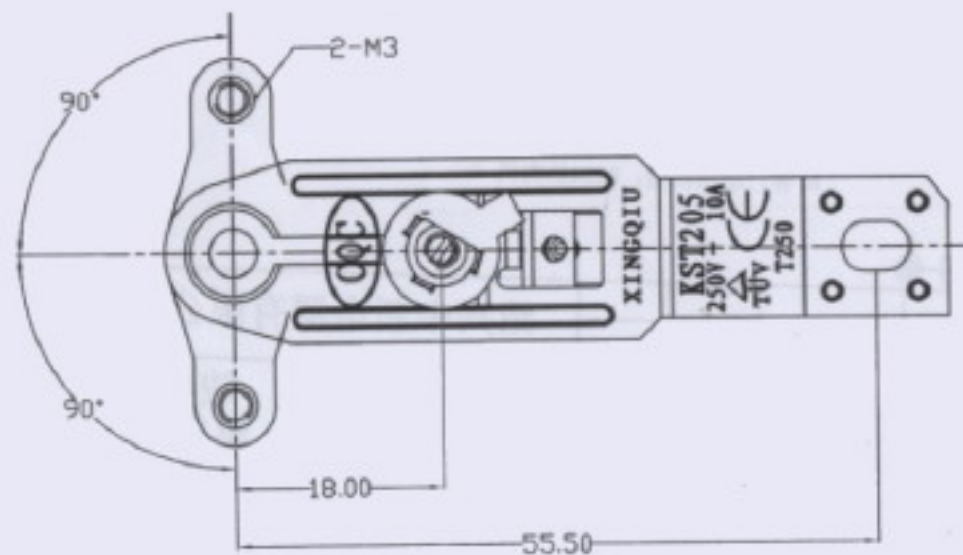
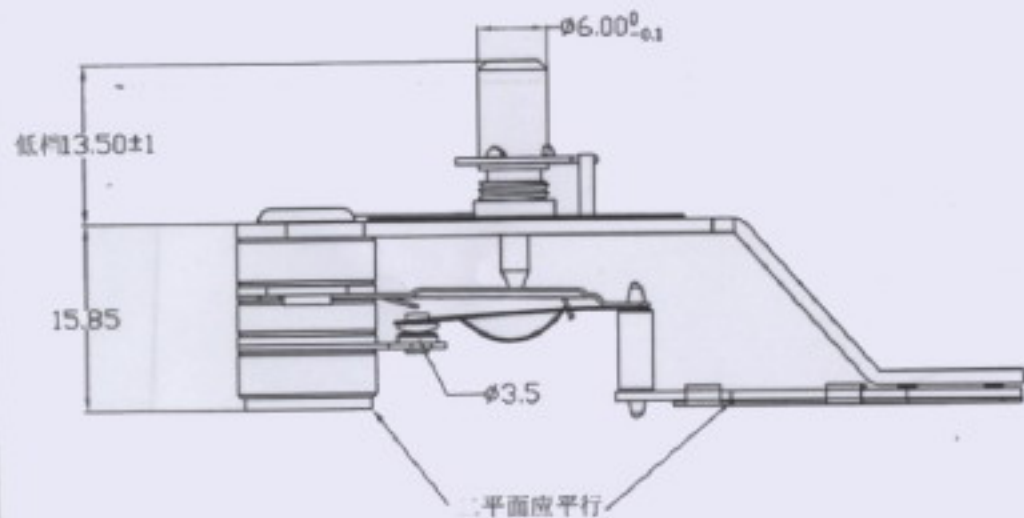
Tolerance of operation range: $\pm 5\%$

such as hi-temp: 200 ± 10 degrees Celsius

Switching differential: 10 - 30K

Max Operation Angle: 305 degrees (Designed by user's requirements)

On Angle: Designed by user's requirements



技术要求

- 一一. 调温器在相应底板上的高档接通温度为180℃时, 幅值应 $\leq 40^{\circ}C$, 冷却后的室温接通角应符合图纸要求。
- 一一. 耐压: 2000V 0.5mA 1秒; 绝缘电阻 $\geq 100M\Omega$; 泄漏电流 $< 0.5mA$; 调温器要有TUV认证标志, 标志和字样应清晰可辨。
- 一一. 调节螺钉的转动应灵活, 无卡住感, 并且晃动要小。
- 一一. M3螺纹应满足中等精度通止规的检验。
- 一一. 空心铆钉应能通过 $\phi 3.99$ 的通规。

视图方向:

| | | | | | | | | | |
|----|-----|----|----------|-----|----|---------|----|-----|---------|
| | | | | | | 材料 牌号 | | | 絨緯科技 |
| | | | | | | | | | |
| 标记 | 处数 | 分区 | 更改文件号 | 签名 | 日期 | | | | KST-205 |
| 设计 | 李校林 | | 08.11.19 | 标准化 | | 阶段标记 | 重量 | 比例 | |
| 校对 | | | | | | S | | 2:1 | |
| 审核 | | | | | | 共 页 第 页 | | | |
| 工艺 | | | | 批准 | | | | | |

KST220-2



KST220-2

Detailed Product Description

Key Specifications/Special Features:

Item No.:KST220-2

Ratings: AC 250V/10A, AC 120V/15A

Temperature setting range: [all standard] 0 to 250°C

Maximum Temperature: [all standard] 250°C

Tolerance of operation range: +/- five percent,

such as hi-temp: 200+/-10°C Switching differential: 10 - 30K

Max. Operation Angle:305 degrees (Designed by user's requirements)

On Angle: Designed by user's requirements

Speed of temperature change: >1K/min

Push-on terminal (for receptacle 4.8mm or 6.3mm) and M3 screw terminal are alternative

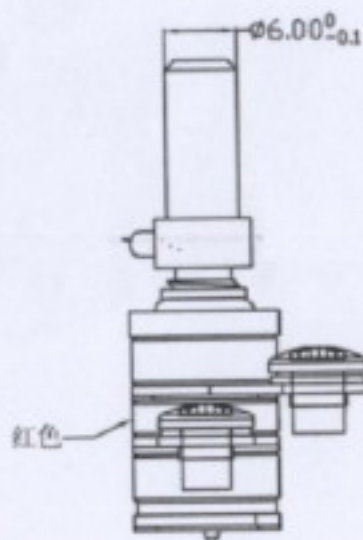
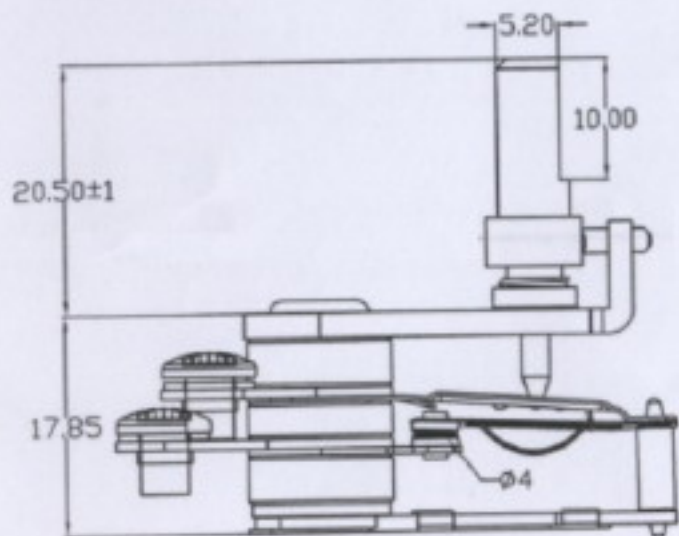
Length of control shaft and angle of terminal plates depends on customer's requirements

Number of automatic cycles for each automatic action: [UL and CUL] 100,000 cycles;

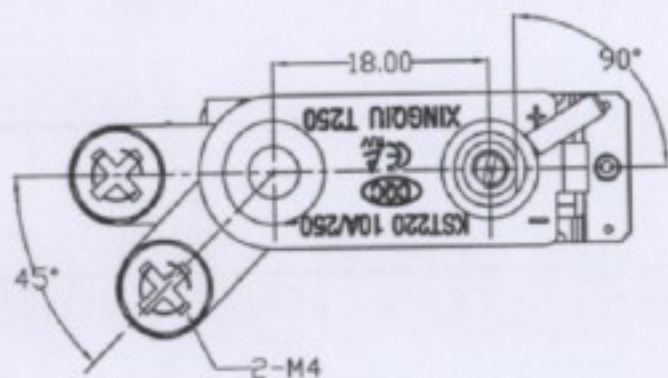
[CE] 100,000 cycles

Packing:

300pcs/Carton



室温25℃时的接通角



技术要求

- 一一. 调温器在相应底板上的高档断开温度应为 $180^{\circ}\text{C} \pm 5^{\circ}\text{C}$ 时、幅值应 $\leq 35^{\circ}\text{C}$ ，室温的接通角应符合图示。
- 一一. 耐压：2000V 0.5mA 1秒；绝缘电阻 $\geq 100\text{M}\Omega$ ；泄漏电流 $< 0.5\text{mA}$ ；调温器要有CE、CQC、TUV (R 2133336) 认证标志，标志和字样应清晰可辨。
- 一一. 调节螺钉的转动应灵活，无卡住感，并且晃动要小。
- 一一. M4螺纹应满足中等精度通止规的检验。

视图方向:

| | | | | | | | | | |
|----|-----|----|----------|-----|----|---------|----|-----|----------|
| | | | | | | 材料 牌号 | | | 絨緯科技 |
| | | | | | | | | | |
| 标记 | 处数 | 分区 | 更改文件号 | 签名 | 日期 | | | | KST220-2 |
| 设计 | 李校林 | | 08.11.10 | 标准化 | | 阶段标记 | 重量 | 比例 | |
| 校对 | | | | | | S | | 2:1 | |
| 审核 | | | | | | | | | |
| 工艺 | | | | 批准 | | 共 页 第 页 | | | |

KST220-3



Detailed Product Description

Key Specifications/Special Features:

Item No.:KST220-3

Ratings: AC 250V/10A, AC 120V/15A

Temperature setting range: [all standard] 0 to 250°C

Maximum Temperature: [all standard] 250°C

Tolerance of operation range: +/- five percent,

such as hi-temp: 200+/-10°C Switching differential: 10 - 30K

Max. Operation Angle:305 degrees (Designed by user's requirements)

On Angle: Designed by user's requirements

Speed of temperature change: >1K/min

Push-on terminal (for receptacle 4.8mm or 6.3mm) and M3 screw terminal are alternative

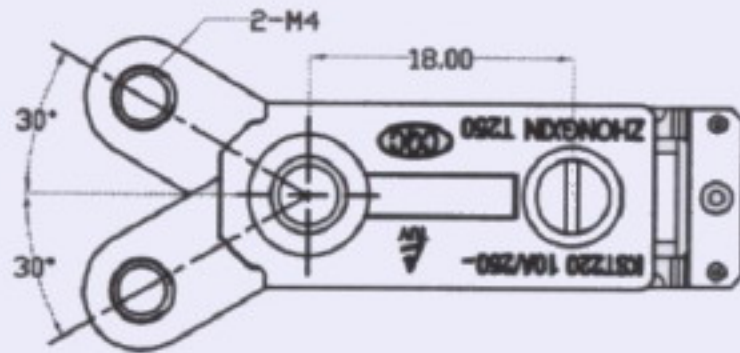
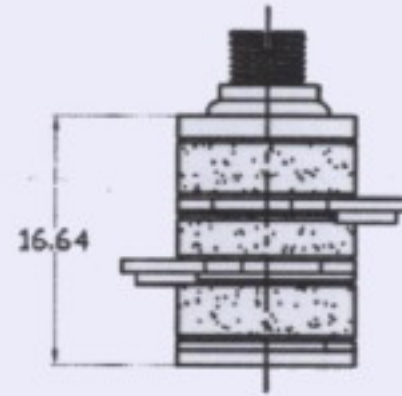
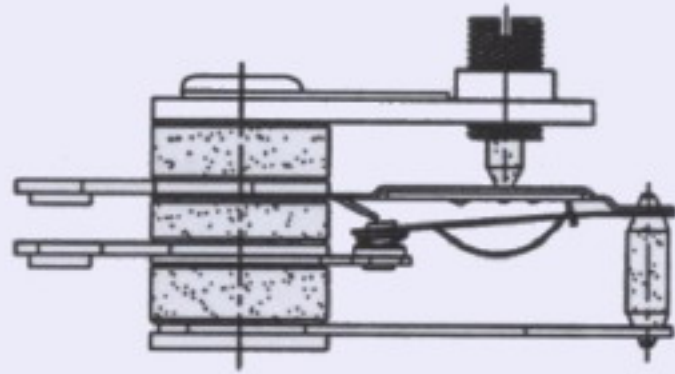
Length of control shaft and angle of terminal plates depends on customer's requirements

Number of automatic cycles for each automatic action: [UL and CUL] 100,000 cycles;

[CE] 100,000 cycles

Packing:

300pcs/Carton



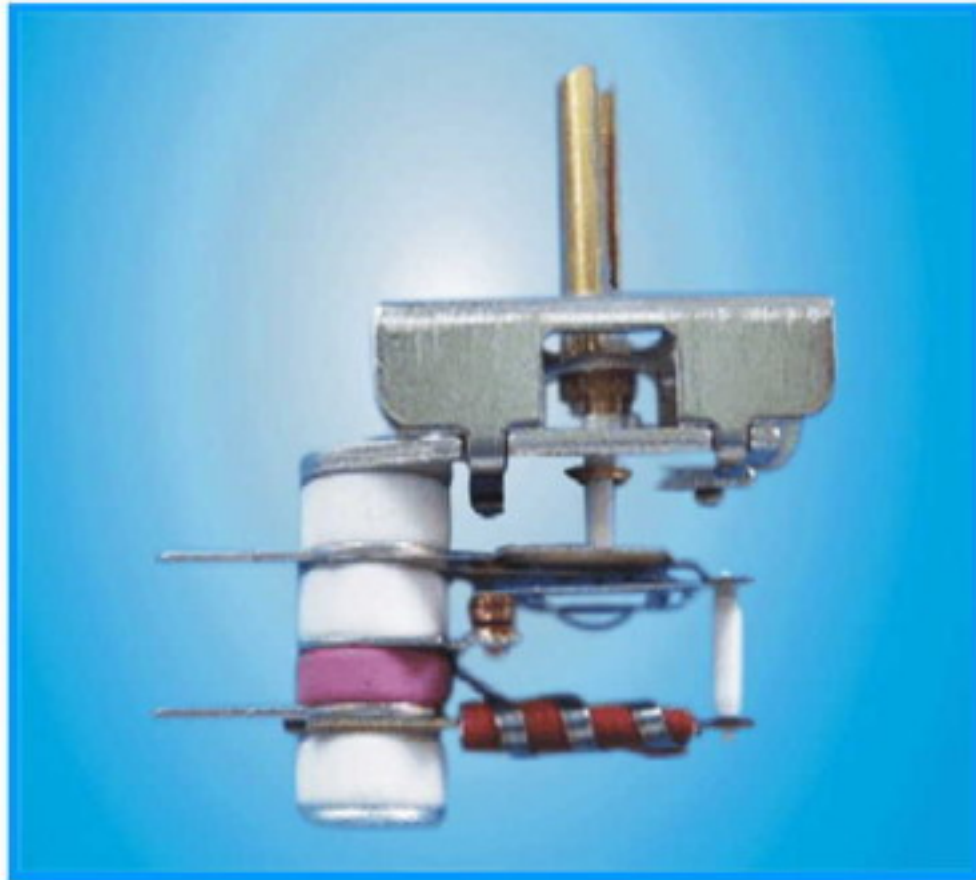
技术要求:

1. 额定电压、电流: 250V AC/10A
2. 耐压: 1800V/0.5mA/秒
3. 高位温度: $240 \pm 30^{\circ}C$
4. 调校角度: 断开回转 480°
4. 客户适用机型: 电火锅

视图方向:

| | | | | | | | | |
|----|-----|----|----------|-----|----|-------------|----|-----------------|
| | | | | | | 紘緯科技 | | |
| | | | | | | 版本: A | | |
| 标记 | 处数 | 分区 | 更改文件号 | 签名 | 日期 | 阶段标记 | 重量 | 比例 |
| 设计 | 李校林 | | 09.04.25 | 标准化 | | S | B | A |
| 校对 | | | | | | | | 1:1 |
| 审核 | | | | | | | | |
| 工艺 | | | | 批准 | | 共 页 第 页 | | KST220-3 |

KST220-7



KST220-7

Detailed Product Description

Key Specifications/Special Features:

Item No.:KST220-7

Ratings: AC250V/10A, AC120V/15A

Temperature setting range: [all standard] 0 to 250 degrees Celsius

Maximum Temperature: [all standard] 250 degrees Celsius

Tolerance of operation range: +/- five percent,
such as hi-temp: 200+/-10 degrees Celsius

Switching differential: 10 - 30K

Max Operation Angle: 305 degrees (Designed by user's requirements)

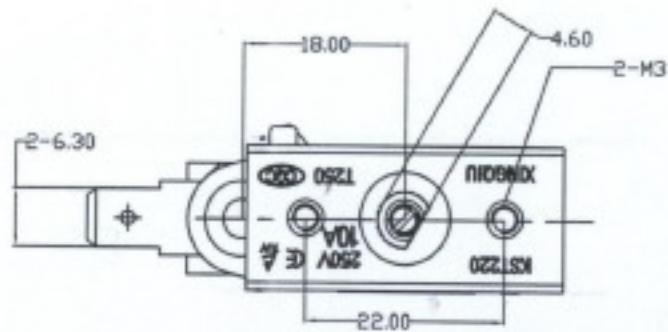
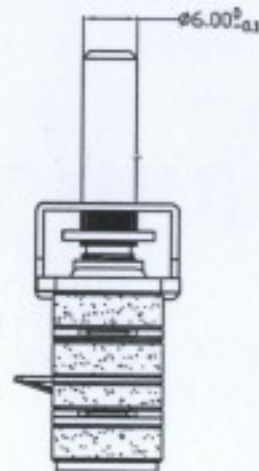
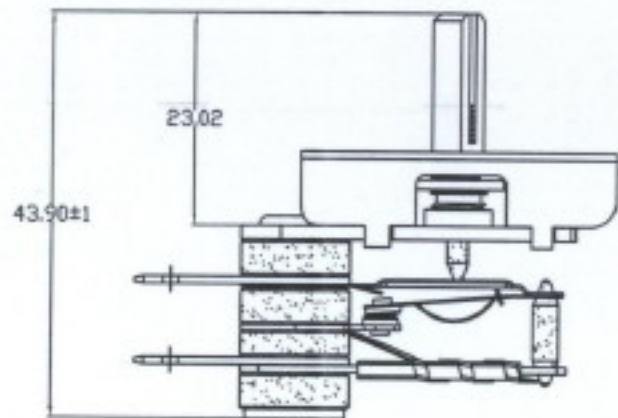
On Angle: Designed by user's requirements

Speed of temperature change: > 1K/min

Push-on terminal (for receptacle 4.8mm or 6.3mm)
and M3 screw terminal are alternative

Length of control shaft and angle of terminal plates
depends on customer's requirements

Number of automatic cycles for each automatic action:
[UL and CUL] 100,000 cycles; [CE] 100,000 cycles



技术要求:

1. 电气性能: 250V AC/10A
2. 耐压测试: 1800V/0.5mA/s
3. 开机角度: 80±10°
4. 高位温度: 187±15°C
5. 操作角度: 300±5°
6. 客户适用机型:

视图方向:

| | | | | | | | | | |
|----|-----|----|----------|-----|----|------------------------------|---|----|-----|
| | | | | | | Honest-Well Co., Ltd. | | | |
| | | | | | | 版本: A | | | |
| 标记 | 处数 | 分区 | 更改文件号 | 签名 | 日期 | 阶段标记 | | 重量 | 比例 |
| 设计 | 李校林 | | 09.03.25 | 标准化 | | | | | |
| 校对 | | | | | | S | B | A | 1:1 |
| 审核 | | | | | | 共 页 第 页 | | | |
| 工艺 | | | | 批准 | | | | | |
| | | | | | | KST220-7 | | | |

KST220-9



KST220-9

Detailed Product Description

Key Specifications/Special Features:

Item No.:KST220-9

Ratings: AC 250V/10A, AC 120V/15A

Temperature setting range: [all standard] 0 to 250°C

Maximum Temperature: [all standard] 250°C

Tolerance of operation range: +/- five percent,
such as hi-temp: 200+/-10°C

Switching differential: 10 - 30K

Max Operation Angle:305 degrees (Designed by user's requirements)

On Angle: Designed by user's requirements

Speed of temperature change: >1K/min

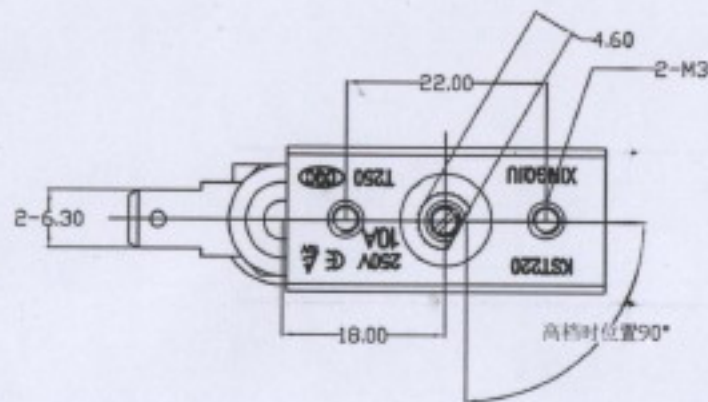
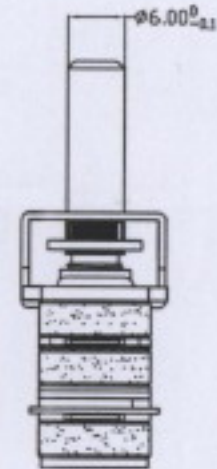
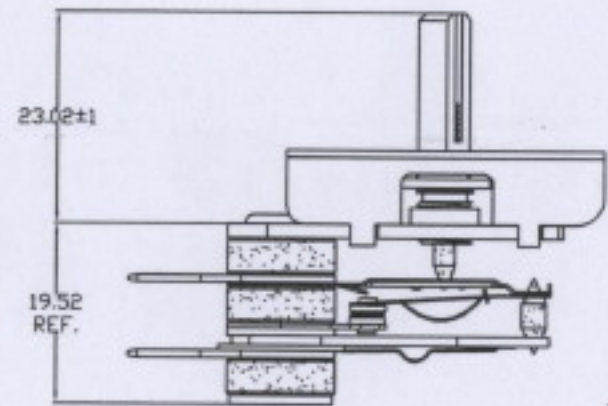
Push-on terminal (for receptacle 4.8mm or 6.3mm)
and M3 screw terminal are alternative

Length of control shaft and angle of terminal plates
depends on customer's requirements

Number of automatic cycles for each automatic action

[UL and CUL] 100,000 cycles; [CE] 100,000 cycles

Packing: 300pcs/Carton



技术要求:

1. 电气性能: 250V AC/10A
2. 耐压: 1800V/0.5mA/秒
3. 操作角度: $300 \pm 5^\circ$
4. 启动角度: $80 \pm 10^\circ$ (室温 25°C)
5. 高位温度: $180 \pm 15^\circ\text{C}$
6. 客户适用机型:

视图方向:

| | | | | | | | | | |
|----|-----|----|----------|---------|----|------------------------------|--|----|----|
| | | | | | | Honest-Well Co., Ltd. | | | |
| | | | | | | 版本: | | | |
| 标记 | 处数 | 分区 | 更改文件号 | 签名 | 日期 | 阶段标记 | | 重量 | 比例 |
| 设计 | 李校林 | | 09.03.25 | 标准 化 | | | | | |
| 校对 | | | | | | | | | |
| 审核 | | | | | | | | | |
| 工艺 | | | | 批准 | | 共 页 第 页 | | | |