

Lug type sensor

Parameter:

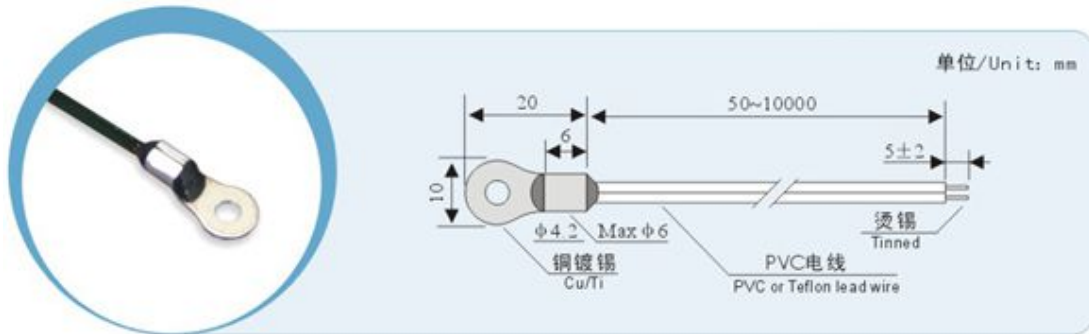
产品规格 Series No.	R ₂₅ °C	B _{25/50} °C	耗散系数 (静止空气中) Dissipation Constant (instillal)	时间常数 Thermal Time Constant	绝缘电阻 Insulation Resistance	工作温度 Working Temperature
Lug sensor	2~100KΩ	3470~4400K	≥ 3mW/°C	2~10S (水中/In still water)	>100MΩ	-30~200°C

Temperature range: -30°C ~ +200°C

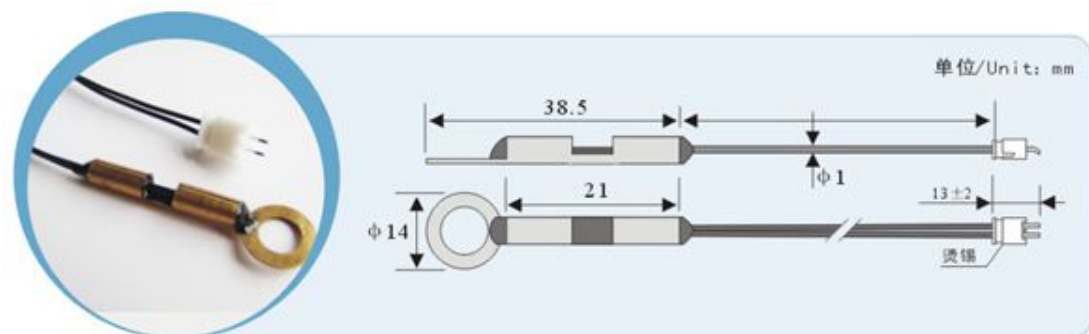
Feature: Surface temperature detection/ installation conveniently.

Application: Power supply / Electrical motor / Radiator.

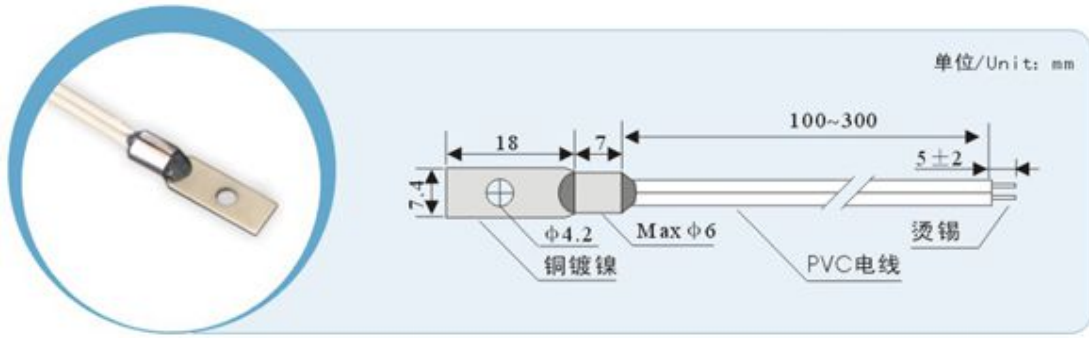
Lug-A1 temperature sensor



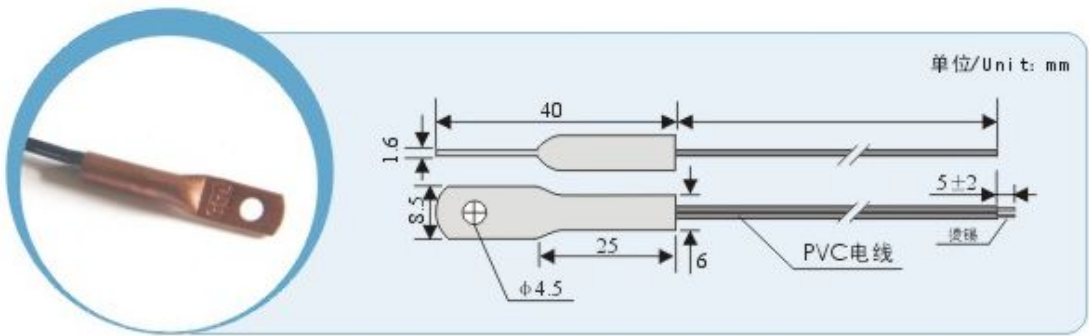
Lug-B1 temperature sensor



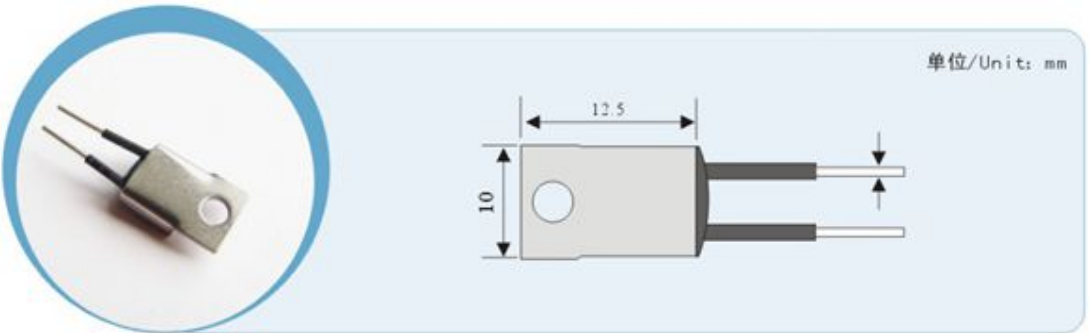
Lug-C1 temperature sensor



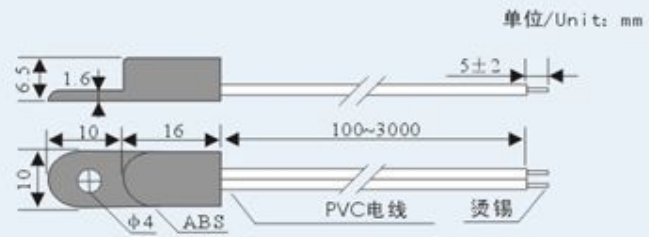
Lug-D1 temperature sensor



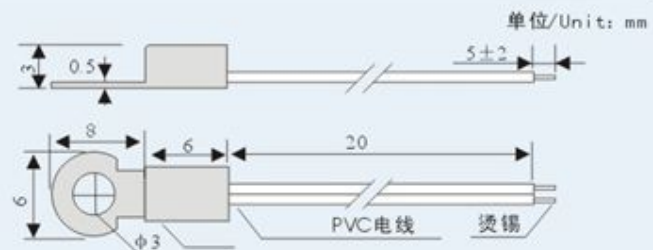
Lug-E1 temperature sensor



Lug-F1 temperature sensor



Lug-J1 temperature sensor



絃緯科技股份有限公司 Honest-Well Co., Ltd.

新北市新店區中正路560巷4號4樓; Zip: 23148

4F., No.4, Ln. 560, Zhongzheng Rd., Xindian Dist., New Taipei City 23148, Taiwan

TEL:886-2-2219-0080 ; FAX:886-2-2219-2508

<http://www.honest-well.com.tw>