



MPB16
16mm Metal Pushbutton Switches

SPECIFICATIONS

- RATING :** 2A/36VDC
 - ELECTRICAL LIFE :** 200,000 make-and-break cycles at full load
 - MECHANICAL LIFE :** 1,000,000 cycles
 - INSULATION RESISTANCE :** 1,000 MΩ min. at 500VDC
 - DIELECTRIC STRENGTH :** 2,000V RMS @ sea level
 - CONTACT RESISTANCE :** 50 mΩ max.
 - OPERATION TEMPERATURE :** -20°C~+70°C
 - TRAVEL:** About 2.0±0.20mm
 - OPERATION PRESSURE :** 4.5N±1.5N
 - INGRESS PROTECTION :** IP67
 - TORQUE :** 11.5 kgf · cm
 - THICKNESS :** 8.0mm (Max.)
- Current limiting resistor is required to limit LED forward current to 20mA.**

MATERIALS

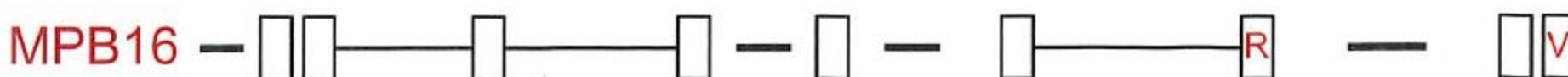
- BUSHING :** Aluminum alloy
- BASE :** PBT (Blue UL 94-V0)
- ACTUATOR :** PC (Translucent UL 94-V2)
- CAP :** Aluminum alloy
- SPRING :** Steel.
- SEALING :** Silicone (Translucent).
- O-Ring :** Silicone (Translucent).
- TERMINAL :** Brass ,Gold plated.
- CONTACT :** Silver alloy.
- HEX NUT :** Brass (Nickel plated).

IP 67
ACCORDING TO
EN 60529:1991+A1:2001
IEC 60529:2001



HOW TO ORDER

MODEL NO. BODY TYPE BUTTON TYPE LIGHT TYPE LED COLOR TERMINAL SHAPE TERMINAL PLATING LED VOLTAGE



Body type
CA AL alloy (Natural Anodized)
CB AL alloy (Black Anodized)

Button type
R Round

Light type
E Ring
P Power logo

Terminal shape
J Solder Terminal
T1 Flying lead terminal
 L=500mm

Terminal plating
R Gold flash

Accessories

Resistance (About LED Voltage)	
0	Without Resistance
3V	LED input 3 VDC
6V	LED input 6 VDC
12V	LED input 12 VDC
24V	LED input 24 VDC

LED color

ITEM NO	COLOR
0	Without LED
1	White
3	Red
5	Yellow
6	Green
7	Blue

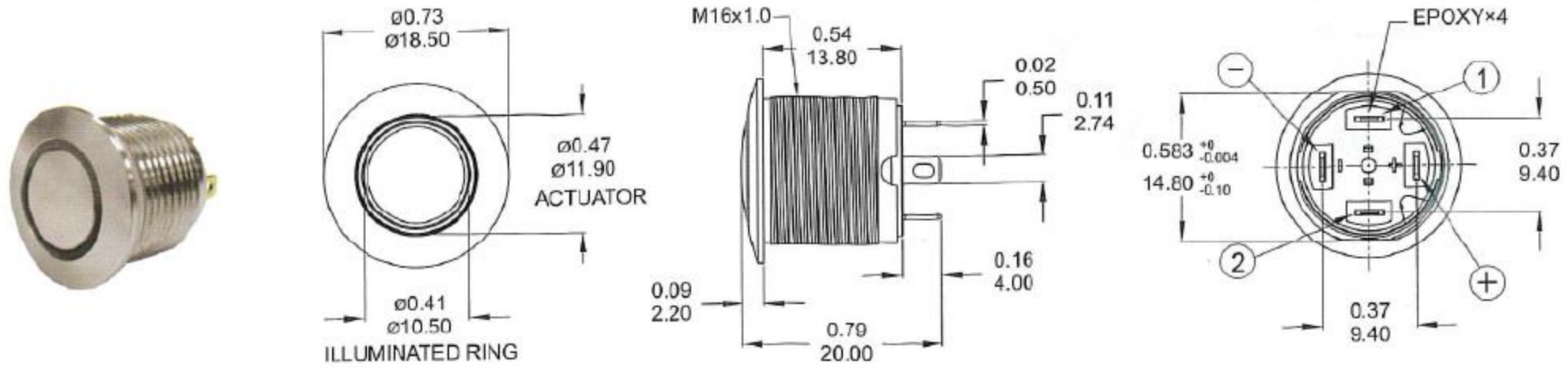
EXAMPLE:
 MPB16-CARE-0-JR-0 (Without LED)
 MPB16-CARE-6-JR-3V
 LED color LED voltage

MPB16 Series

16mm Metal Pushbutton Switches

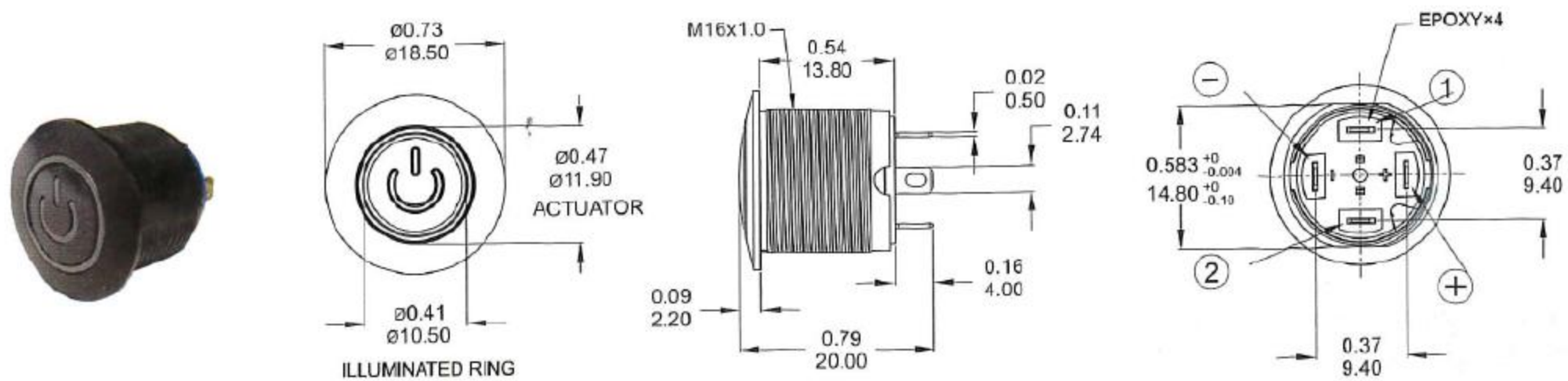
DIMENSION

E Ring (Fixed)



Part No. Shown : MPB16-CARE-□-JR-0

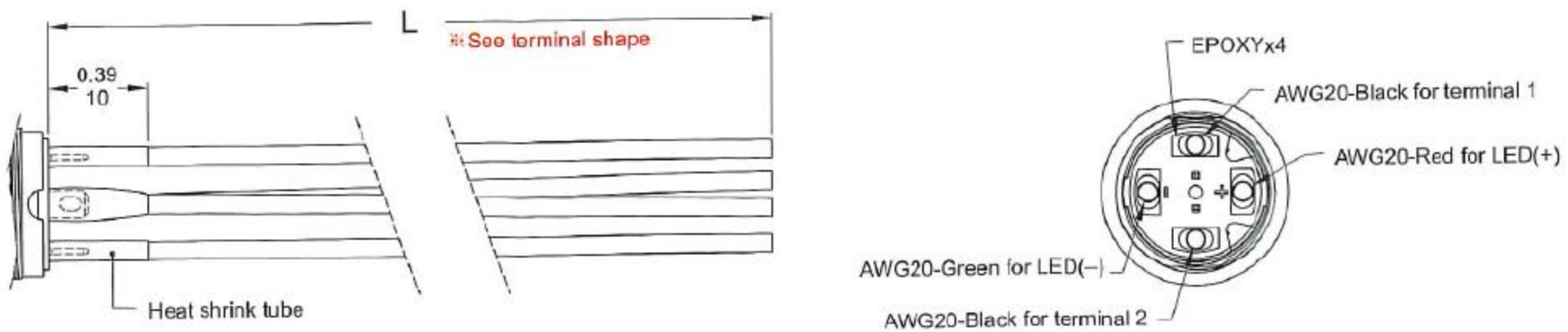
P Power logo



Part No. Shown : MPB16-CBRP-□-JR-0

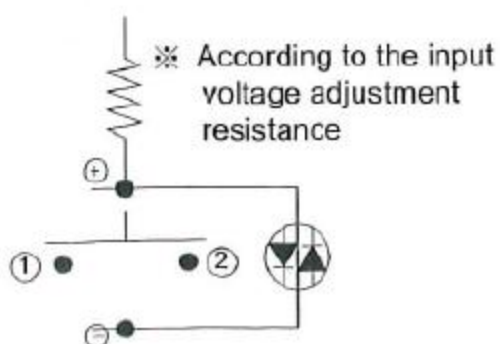
Wire (Flying lead Terminals)

※Wire=Multi-wire lead AWG20,section 0.6mm²,UL approved (Black / Red / Green)

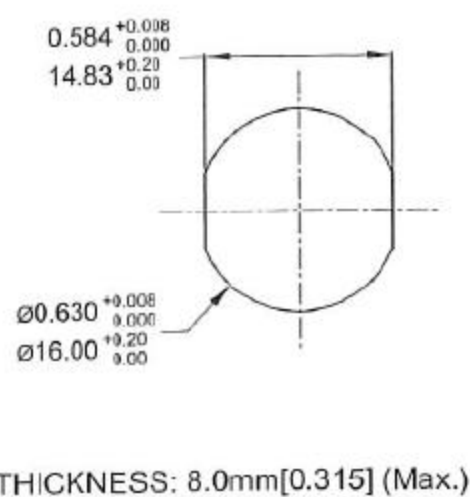


SCHEMATIC / PANEL CUTOUT / HARDWARE

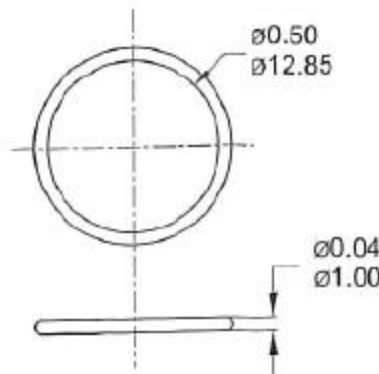
SCHEMATIC



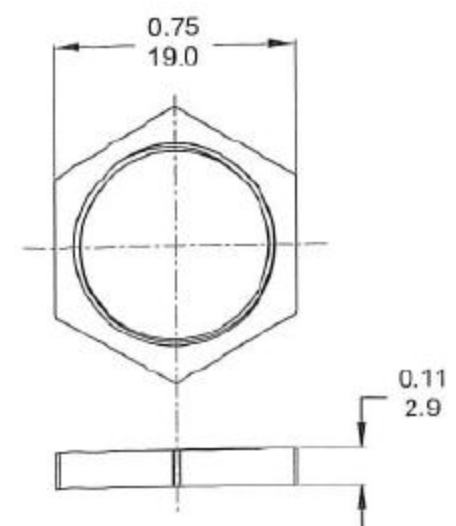
PANEL CUTOUT



O-RING



M16 NUT



MPB16
16mm Metal Switches