



MPB19 19mm Metal Pushbutton Switches

### SPECIFICATIONS

- RATING** : 1th 5A/250VAC resistive load 3A/250VAC
- CONTACT RESISTANCE** : 50 mΩ max. @ 1A 12VDC (initial value)
- INSULATION RESISTANCE** : 1,000 MΩ min. at 500VDC
- DIELECTRIC STRENGTH** : 2,000V RMS @ sea level
- OPERATION TEMPERATURE** : -20°C to 55°C
- MECHANICAL LIFE** : Momentary 1,000,000 cycles  
Self-lock 500,000 cycles
- ELECTRICAL LIFE** : 50,000 make-and-break cycles at full load
- TORQUE** : 5~14Nm
- PANEL THICKNESS** : 10mm (Ø19.20mm)
- OPERATION PRESSURE** : 1Pole 2.5±1N / 2Poles 3.5±1N
- TRAVEL** : About 3.2mm
- INGRESS PROTECTION** : IP67, IK10(Stainless)

### MATERIALS

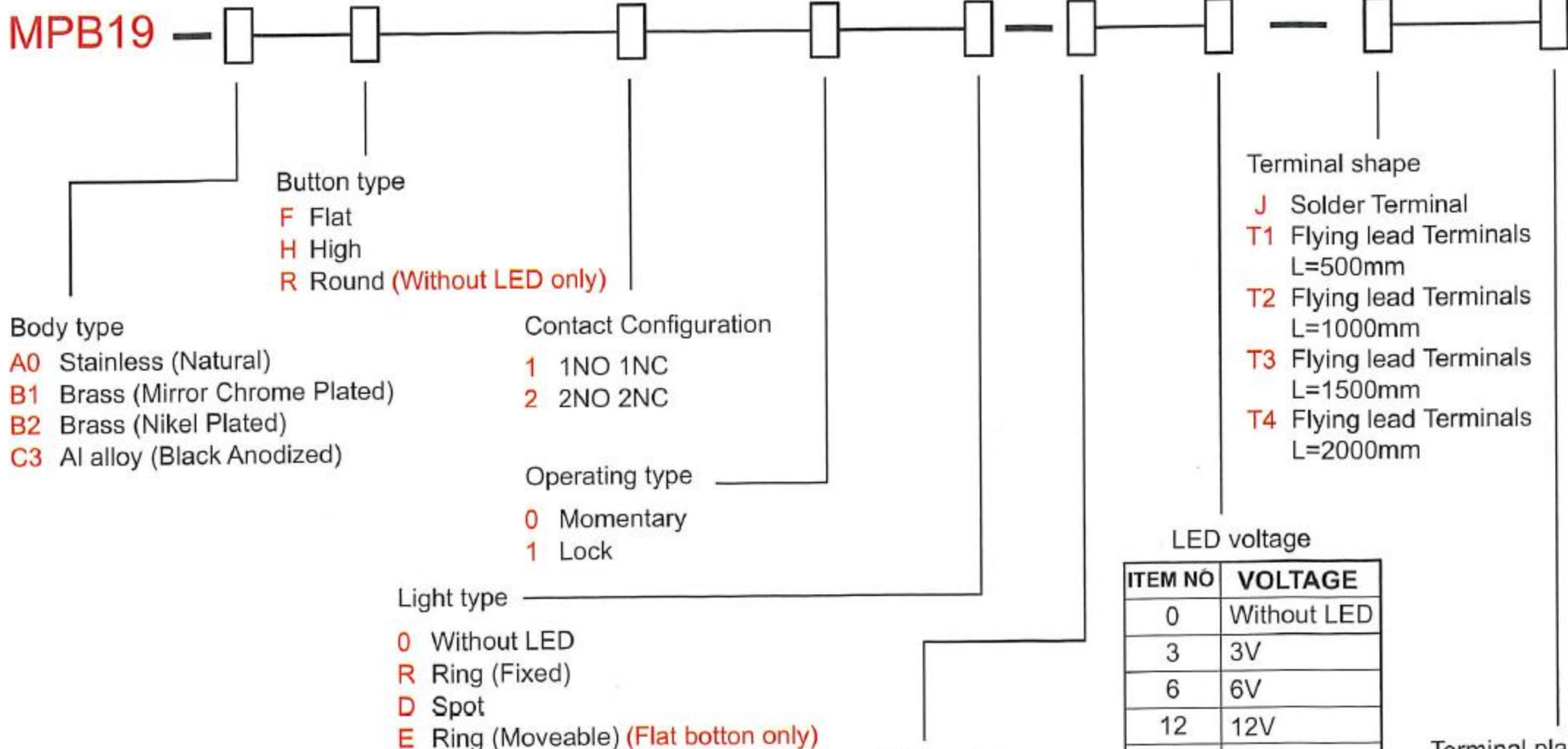
- BUSHING** : Stainless Steel / Nickel plated brass / Aluminum alloy
- BASE** : PBT(UL 94-V0) , PC(UL 94-V2)
- ACTUATOR** : PC(UL 94-V2) ; Stainless Steel / Nickel plated brass / Aluminum alloy
- INNER ASSEMBLY** : POM / PA66.
- SPRING** : Spring steel.
- SEALING** : Silicone.
- O-Ring** : Silicone.
- TERMINAL / CONTACT** : Copper ,Silver plated.
- HEX NUT** : Nickel plated brass.

## HOW TO ORDER



MODEL NO. BODY TYPE BUTTON TYPE CONTACT CONFIGURATION OPERATING TYPE LIGHT TYPE LED COLOR LED VOLTAGE TERMINAL SHAPE TERMINAL PLATING

**MPB19**



- Body type**
- A0 Stainless (Natural)
  - B1 Brass (Mirror Chrome Plated)
  - B2 Brass (Nikel Plated)
  - C3 Al alloy (Black Anodized)

- Button type**
- F Flat
  - H High
  - R Round (Without LED only)

- Contact Configuration**
- 1 1NO 1NC
  - 2 2NO 2NC

- Operating type**
- 0 Momentary
  - 1 Lock

- Light type**
- 0 Without LED
  - R Ring (Fixed)
  - D Spot
  - E Ring (Moveable) (Flat bottom only)

**LED color**

ITEM NO	COLOR
0	Without LED
1	White
3	Red
5	Yellow
6	Green
7	Blue

**LED voltage**

ITEM NO	VOLTAGE
0	Without LED
3	3V
6	6V
12	12V
24	24V
36	36V
110	110V
220	220V

- Terminal shape**
- J Solder Terminal
  - T1 Flying lead Terminals L=500mm
  - T2 Flying lead Terminals L=1000mm
  - T3 Flying lead Terminals L=1500mm
  - T4 Flying lead Terminals L=2000mm

- Terminal plating**
- Q Silver
  - R Gold

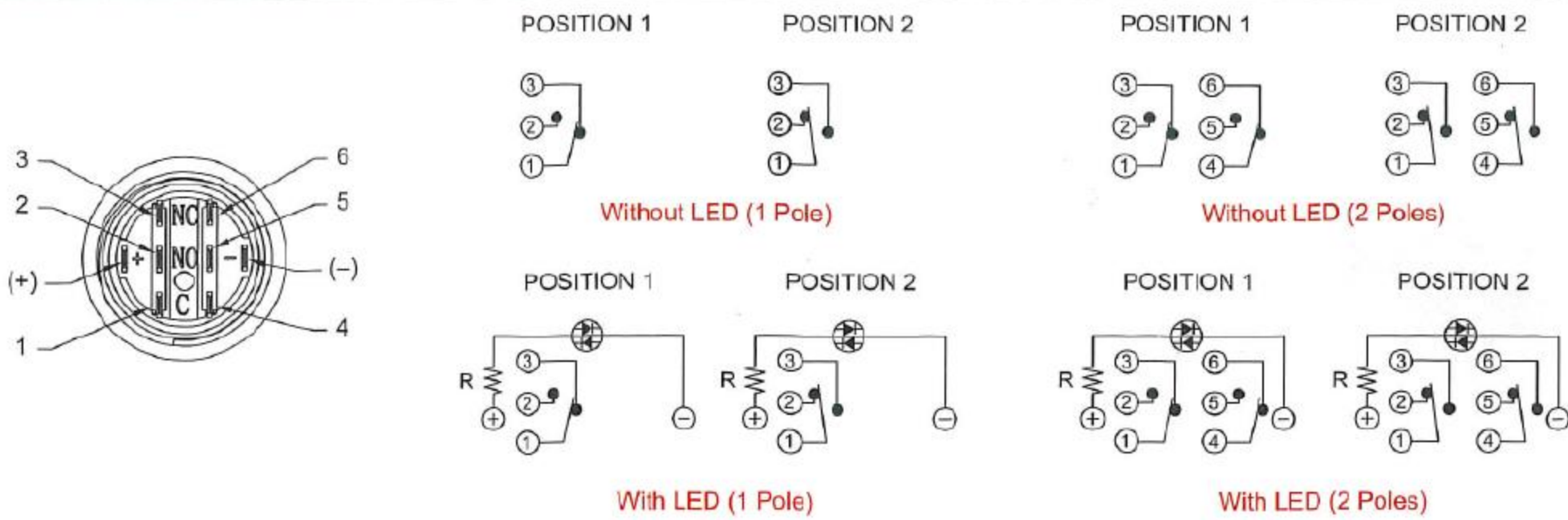
EXAMPLE:  
 MPB19-A0F100-JQ (Without LED)  
 MPB19-A0F10R-3 24 -JQ  
 LED color | LED voltage



# MPB19 Series

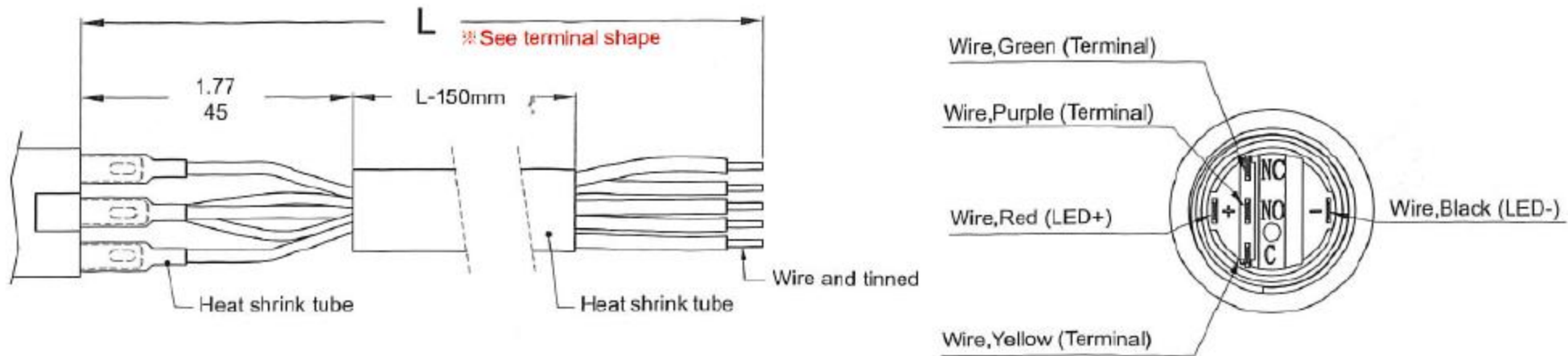
19mm Metal Pushbutton Switches

## CIRCUIT



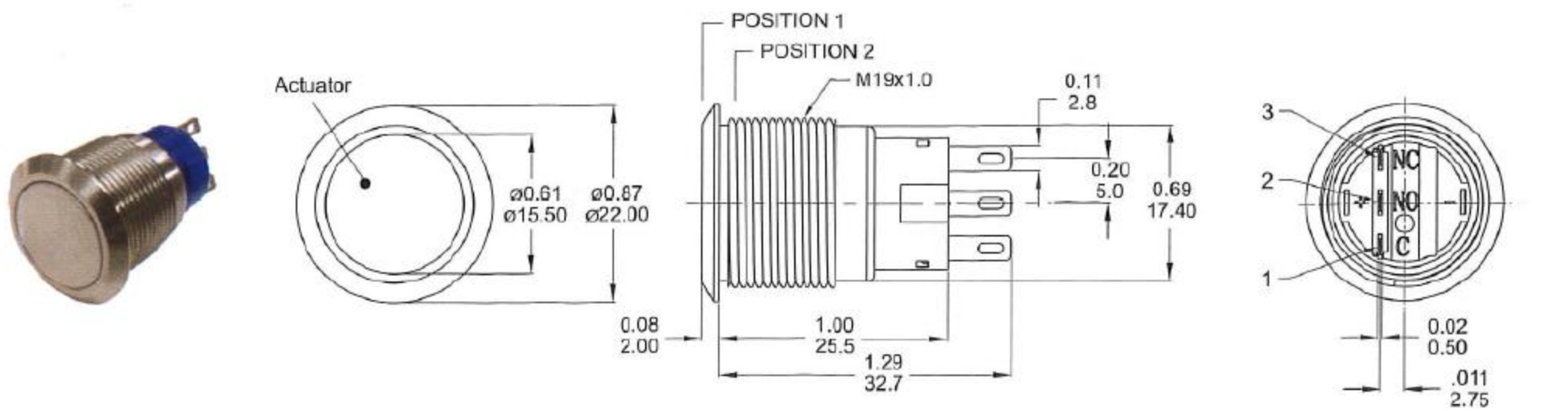
## Wire (Flying lead Terminals)

※ Wire=UL 3385, 18AWG, 300V(Black/Yellow/Green/Red/Purple)



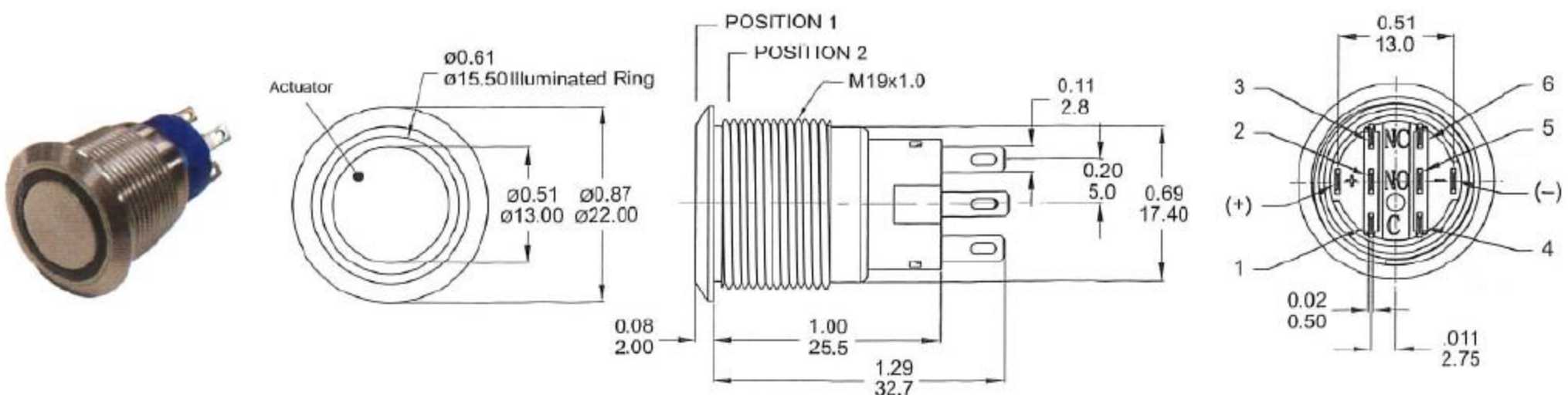
## LIGHT TYPE

### 0 Without LED



Part No. Shown : MPB19-A0F1□□0-JQ

### R Ring (Fixed)



Part No. Shown : MPB19-A0F2□□R-□□-JQ

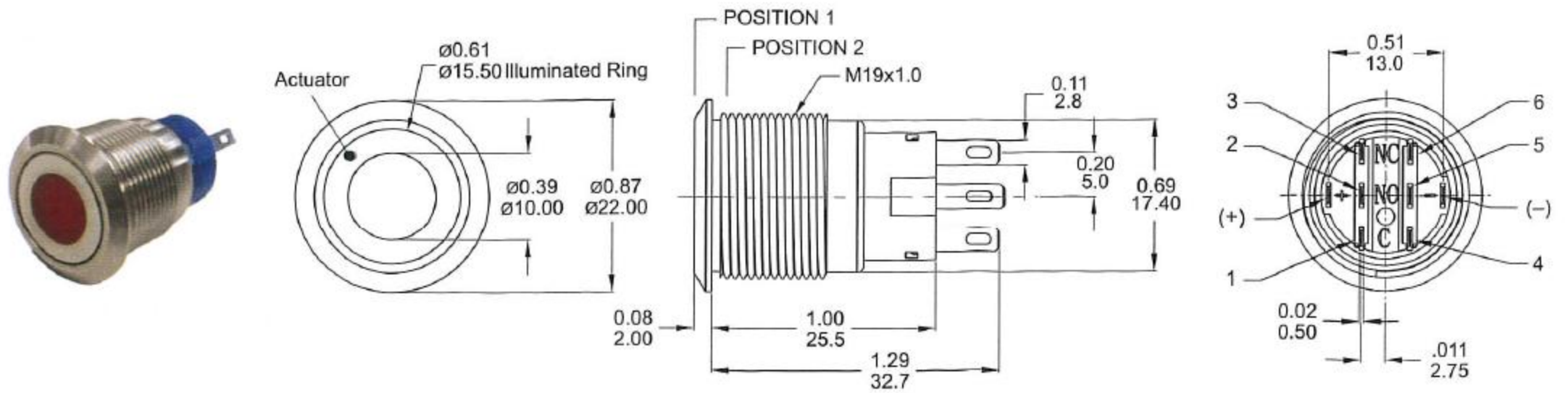


MPB19  
19mm Metal Switches



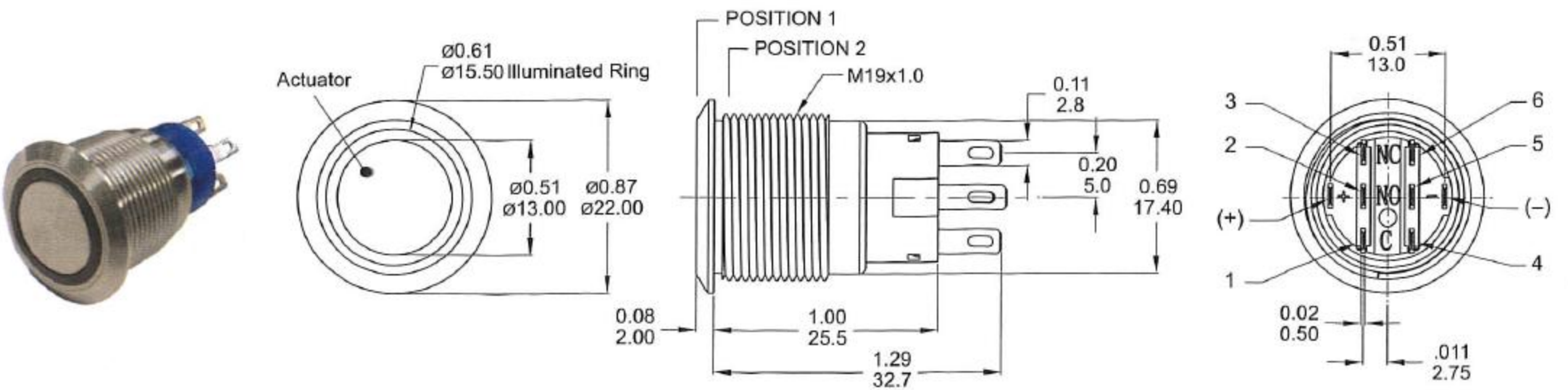
# LIGHT TYPE

## D Spot



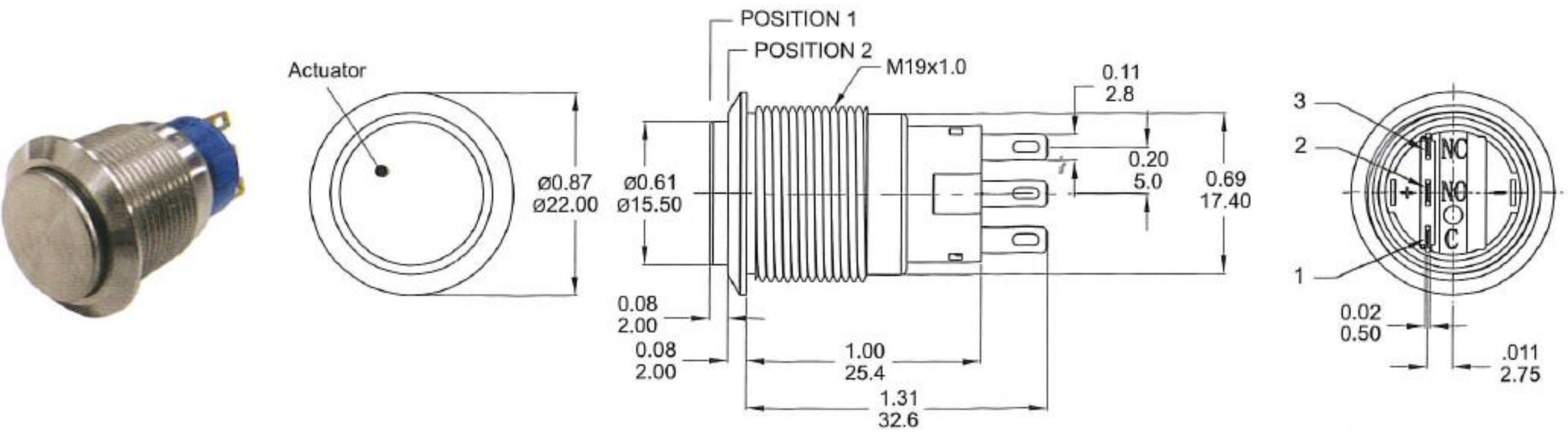
Part No. Shown : MPB19-A0F2□D-□□-JQ

## E Ring (Moveable)



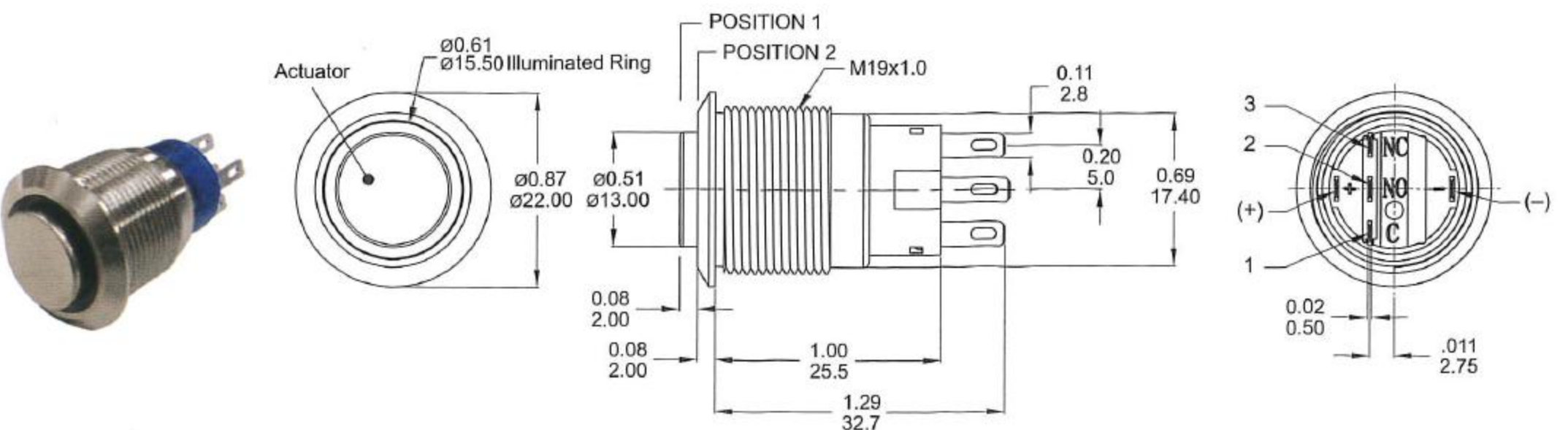
Part No. Shown : MPB19-A0F2□E-□□-JQ

## 0 Without LED



Part No. Shown : MPB19-A0H1□0-JQ

## R Ring (Fixed)



Part No. Shown : MPB19-A0H1□R-□□-JQ



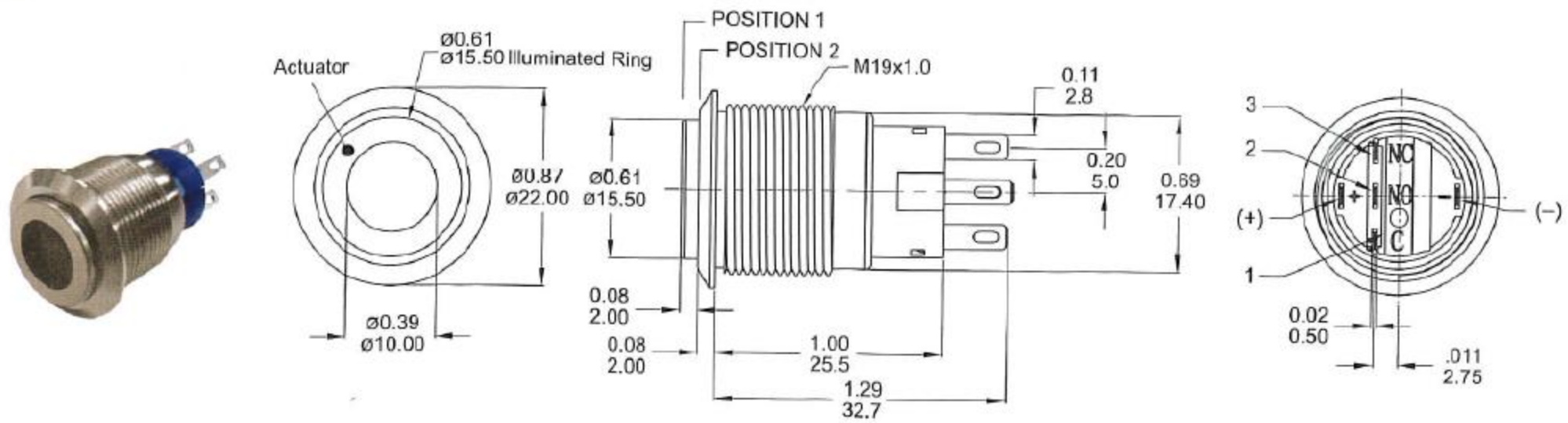


# MPB19 Series

19mm Metal Pushbutton Switches

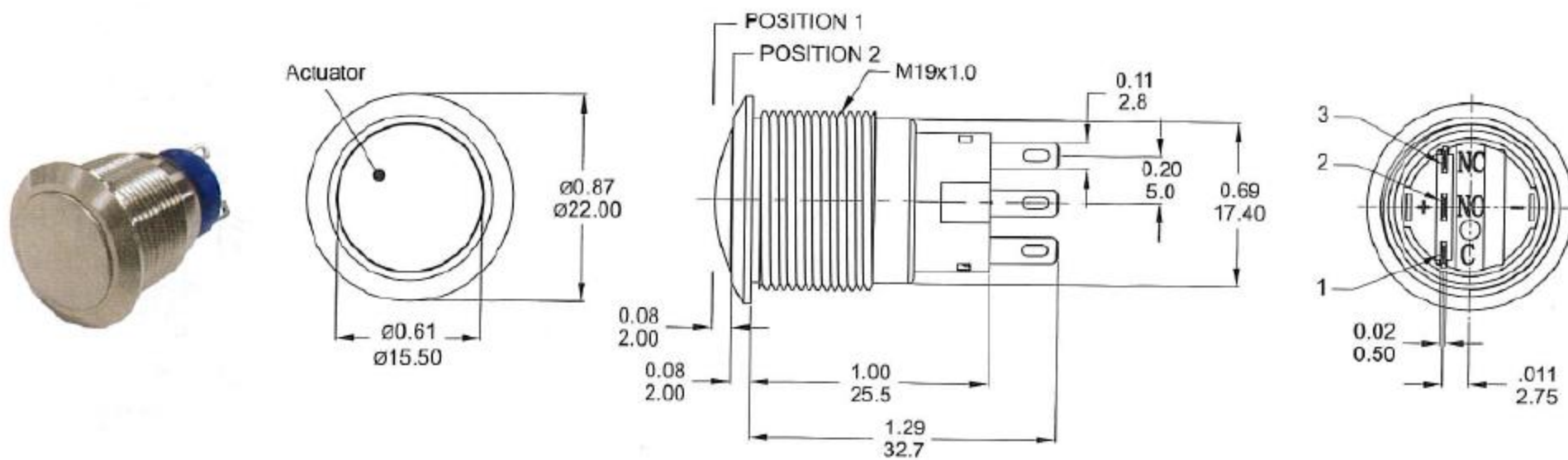
## LIGHT TYPE

### D Spot



Part No. Shown : MPB19-A0H1□D-□□-JQ

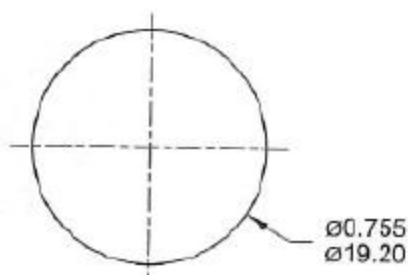
### 0 Without LED



Part No. Shown : MPB19-A0R1□0-JQ

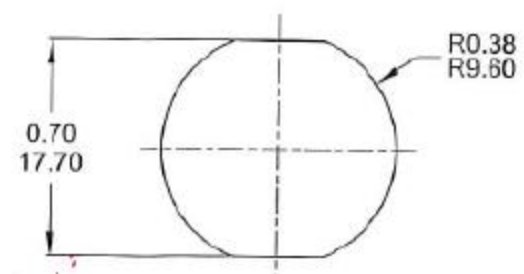
## PANEL CUTOUT / HARDWARE

### 0/R/D/E Light Type



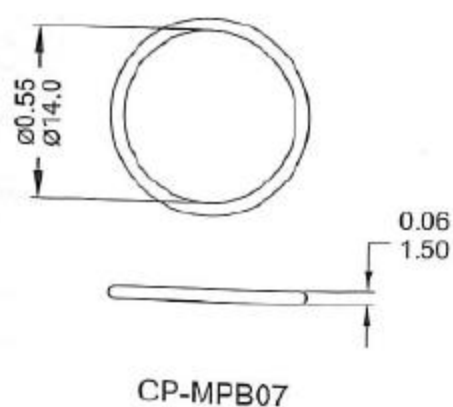
MAX.PANEL THICKNESS: 10.0mm[0.39]

### P Light Type



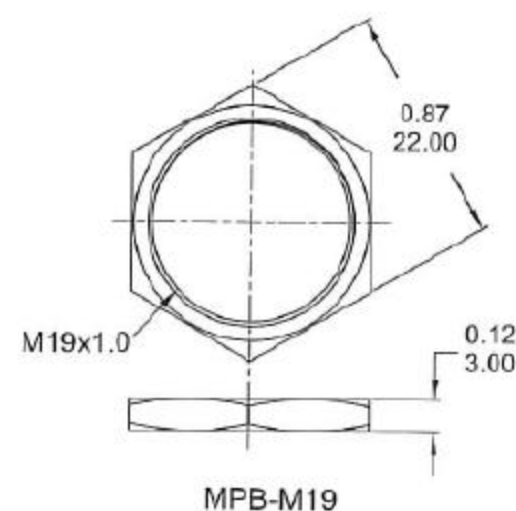
MAX.PANEL THICKNESS:10.0mm[0.394]

### O-RING



CP-MPB07

### M19 NUT



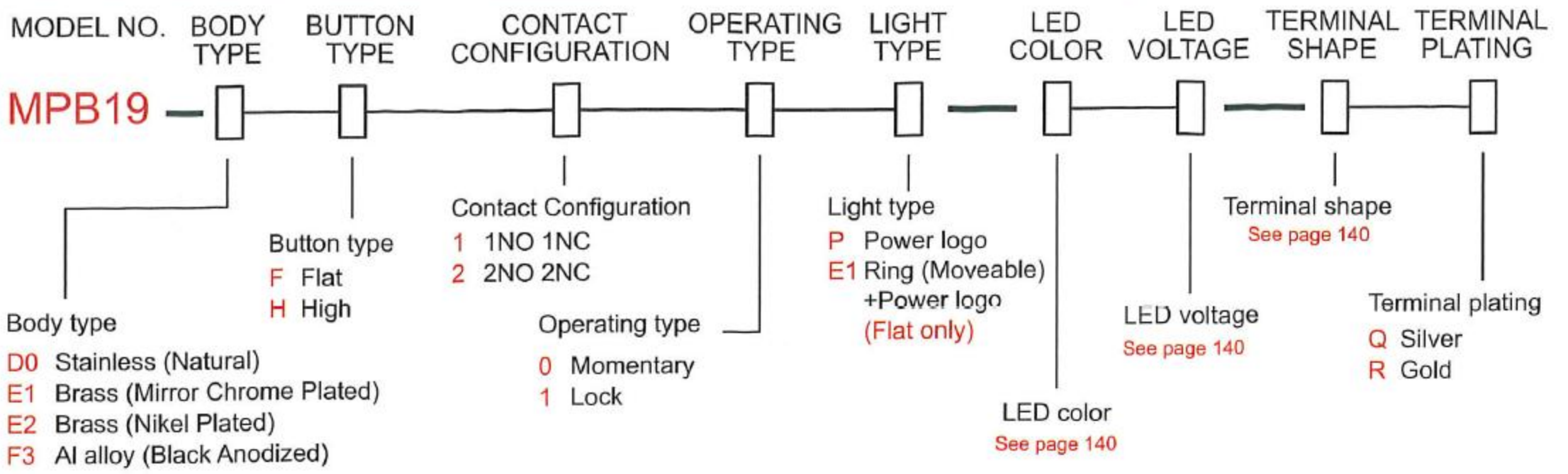
MPB-M19



**MPB19**  
19mm Metal Switches

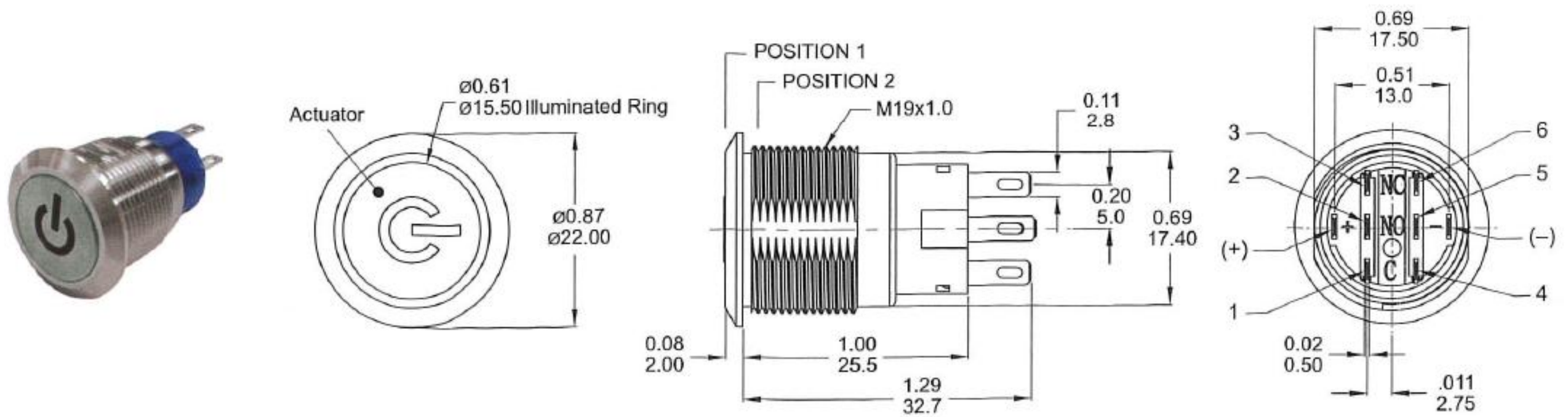


# HOW TO ORDER

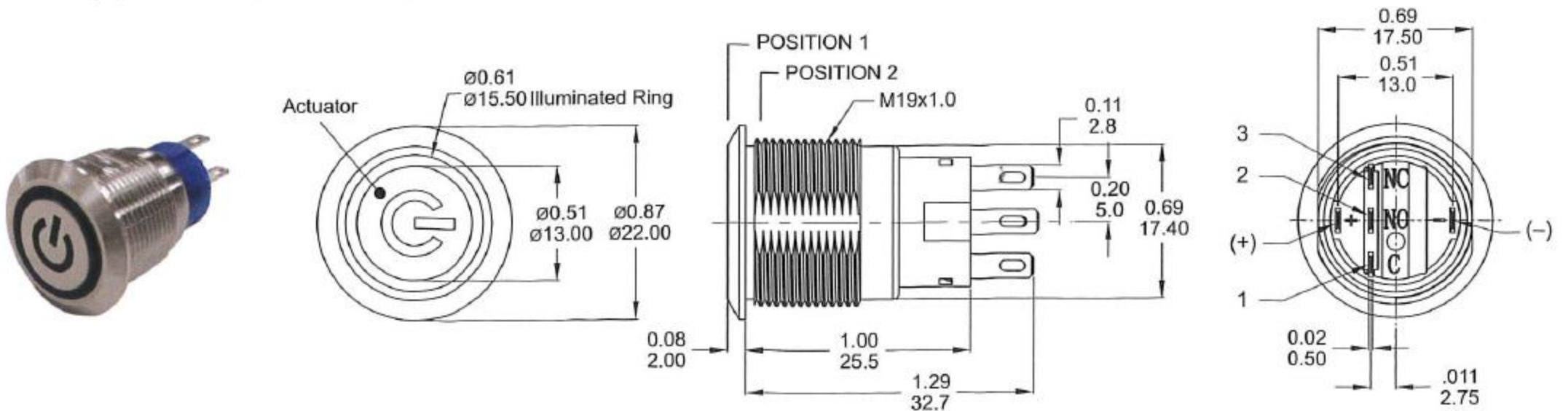


## LIGHT TYPE

**P** Power logo



**E1** Ring (Moveable)+Power logo



**P** Power logo

