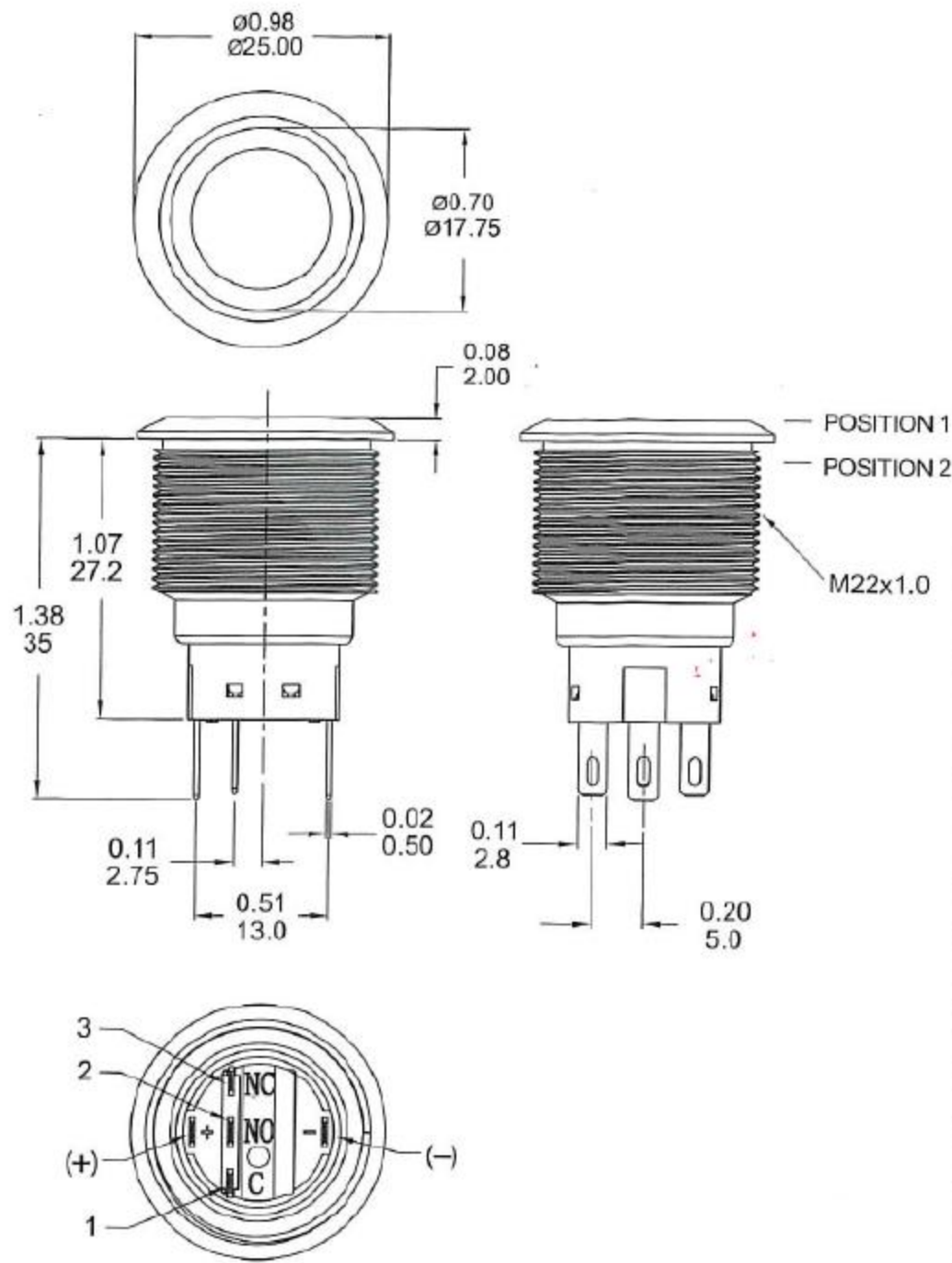
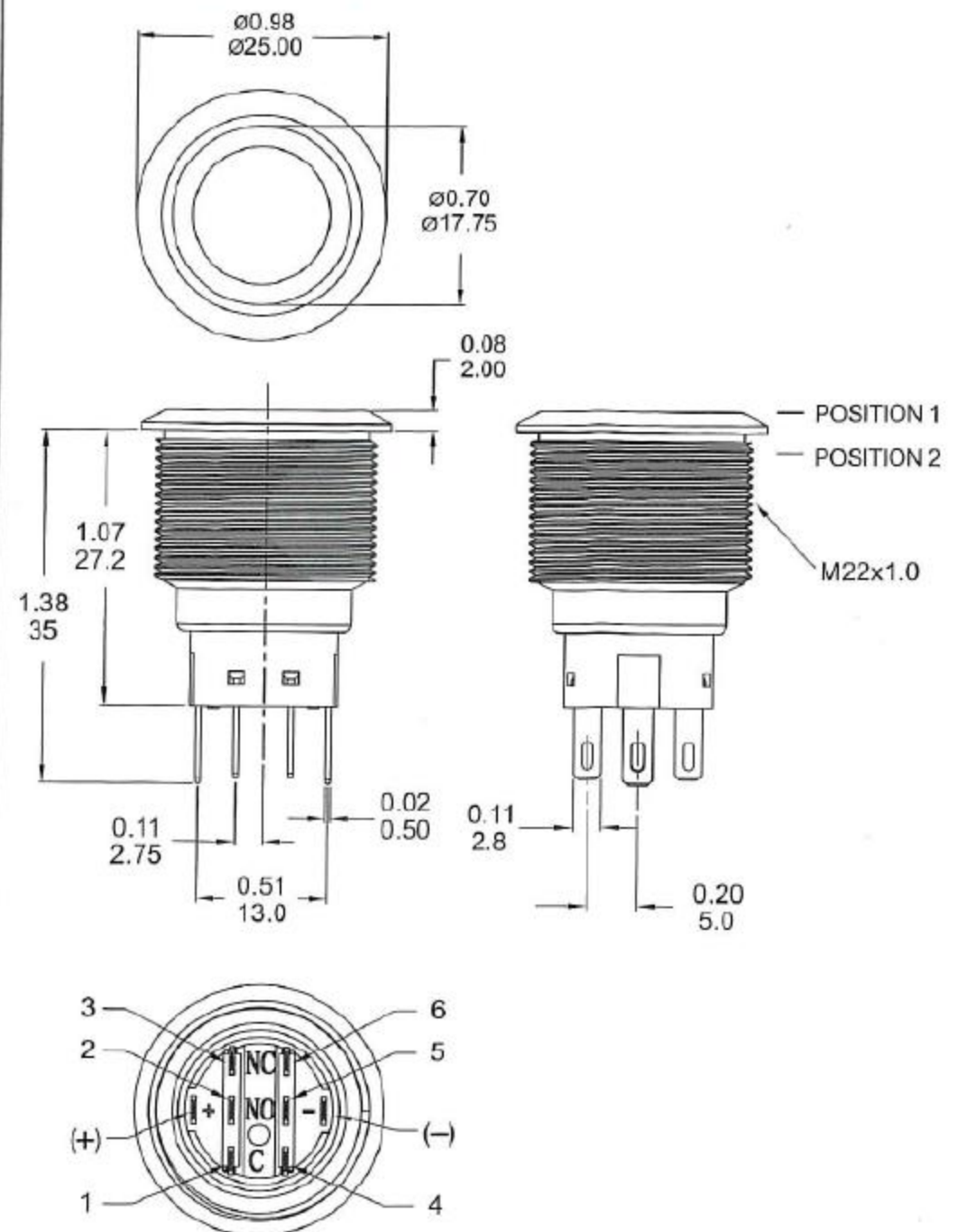


DIMENSION

With LED (1 Pole)



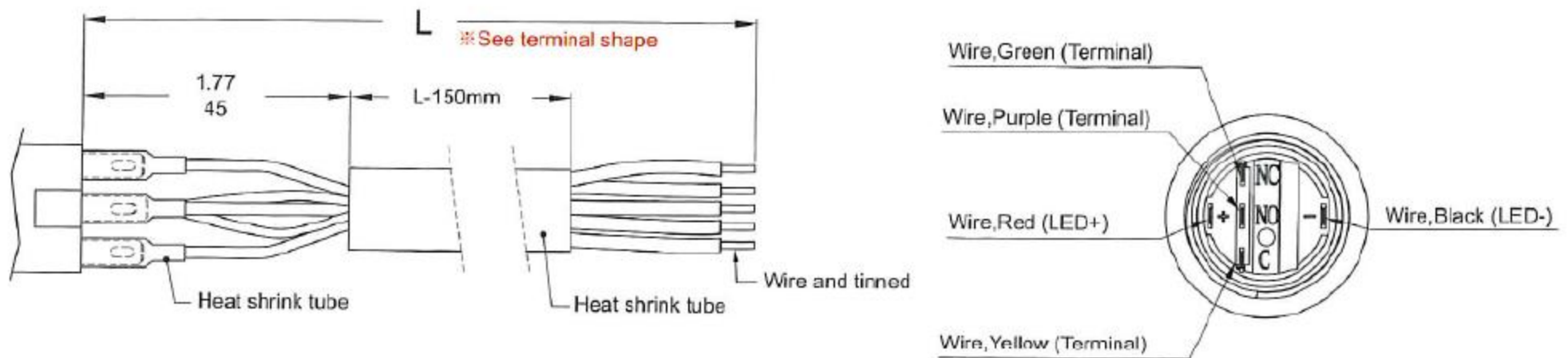
With LED (2 Poles)



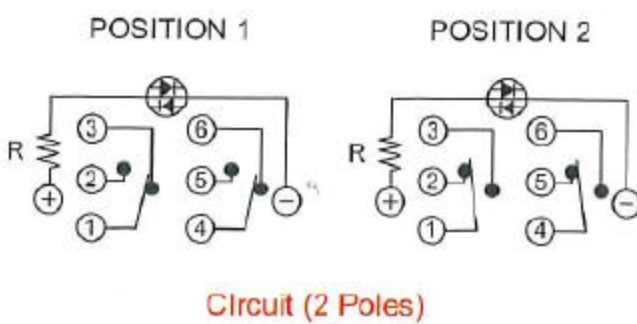
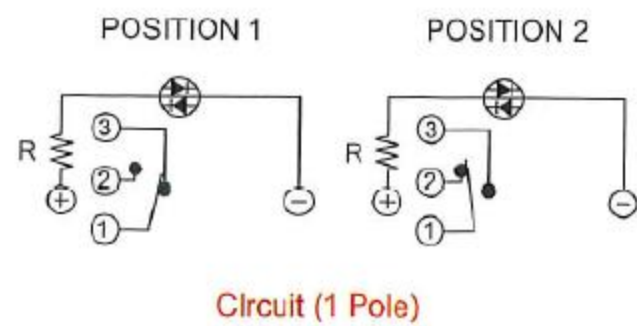
MPB22
22mm Metal Pushbutton Switches

Wire (Flying lead Terminals)

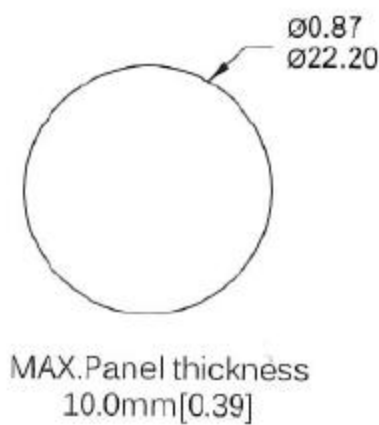
※Wire=UL 3385, 18AWG, 300V(Black/Yellow/Green/Red/Purple)



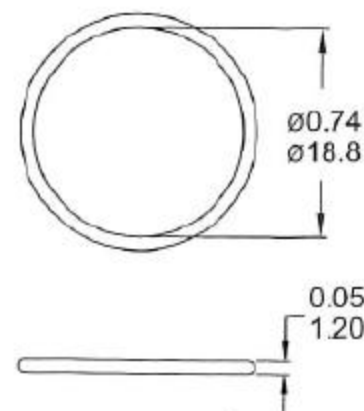
CIRCUIT / PANEL CUTOUT / HARDWARE



PANEL CUTOUT



O-RING



M22 NUT

