

# MPB16L

## 16mm Metal Pushbutton Switches(LOCK)

IP 67  
ACCORDING TO  
EN 60529:1991+A1:2001  
IEC 60529:2001



### SPECIFICATIONS

- RATING** : 2A/36VDC.
- ELECTRICAL LIFE** : 100,000 Make-And-Break cycles at full load.
- INSULATION RESISTANCE** : 1,000MΩ Min. at 500VDC.
- DIELECTRIC STRENGTH** : 2,000V RMS@sea level.
- CONTACT RESISTANCE** : 50mΩ Max. @1A/12VDC(Initial value)
- OPERATION TEMPERATURE** : -20°C~+70°C
- TRAVEL**: About 2.3mm.
- OPERATION PRESSURE** : 4.5N±1.5N
- INGRESS PROTECTION** : IP67
- TORQUE** : 11.5 kgf · cm
- THICKNESS** : 6.0mm (Max.)
- CAP Keeps same high.**
- Current limiting resistor is required to limit LED forward current to 20mA.**



### MATERIALS

- BUSHING** : Aluminum alloy, Anodized.
- BASE** : Nylon 6/6.
- ACTUATOR** : POM.
- CAP** : PC, Aluminum alloy, Anodized.
- SPRING** : Steel.
- SEALING** : Silicone.
- O-Ring** : Silicone.
- TERMINAL** : Brass, Coin silver, Gold flash plated.
- CONTACT** : Brass, Coin silver, Gold flash plated.
- NUT** : Brass (Nickel Plated).

### HOW TO ORDER

## MPB16L

- Body type
- CA AL alloy (Natural Anodized)
  - CB AL alloy (Black Anodized)

- Button type
- R Round

- Light type
- E Ring
  - P Power logo

LED color

ITEM NO	COLOR
00	Without LED
<b>SINGLE COLOR LED</b>	
01	White
03	Red
05	Yellow
06	Green
07	Blue
<b>DUAL COLOR LED</b>	
36	Red&Green
37	Red&Blue
71	Blue&White

- ※ OFF=Without light  
ON=LED Blue light  
Ex : 07
- ※ OFF(Red);ON(Green)  
Ex : 36

### Accessories

Resistance (About LED Voltage)	
3V	LED Input Voltage 3VDC (Without Resistance)
6V	LED input 6 VDC,180Ω
12V	LED input 12 VDC,470Ω
24V	LED input 24 VDC,1000Ω

※ ohms value of resistance  
tolerance: ±5%

### Terminal plating

- R Gold flash

### Terminal shape

- J Solder terminal
- T1 Wire length 500mm

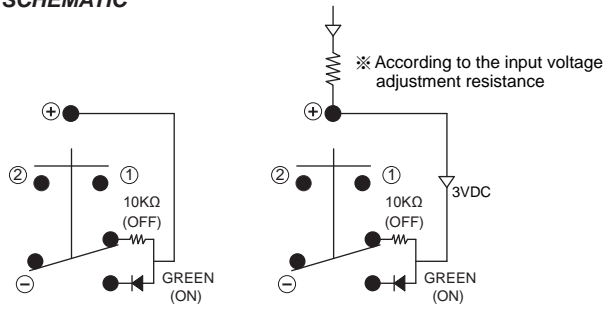
### EXAMPLE:

MPB16L-CARE- 00-JR(Without LED)

MPB16L-CARE-  -JR-3V

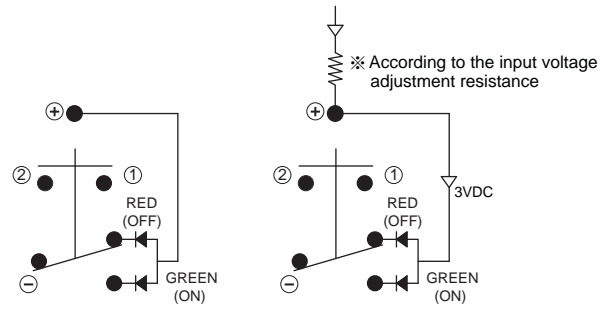
LED color

### SCHEMATIC



Single Color Led

\* Push-OFF, Without light  
Push-ON, LED Green light (Latching)

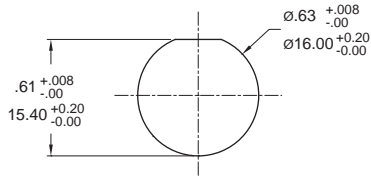


Dual Color Led

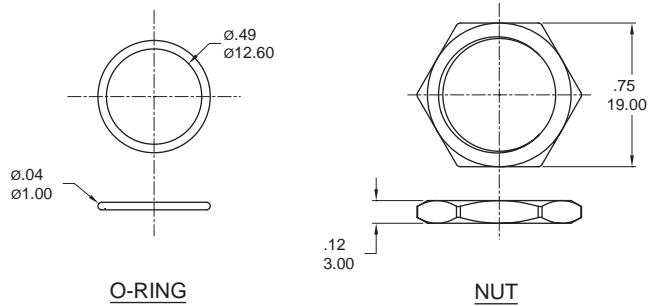
\* Push-OFF, LED Red light  
Push-ON, LED Green light (Latching)

### PANEL CUTOUT

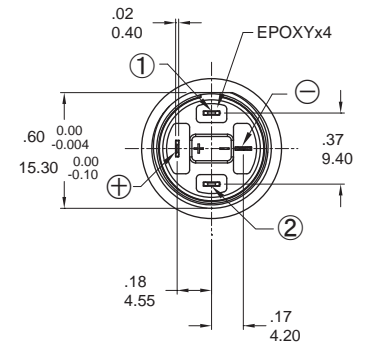
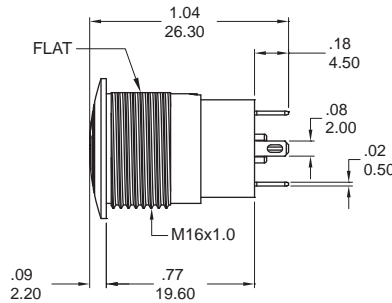
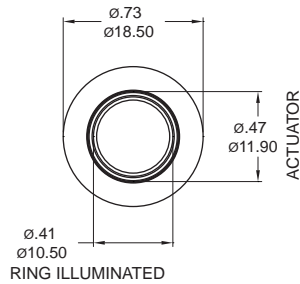
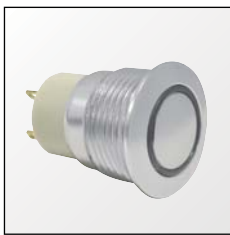
Panel Thickness : 6.0mm Max.



### HARDWARE

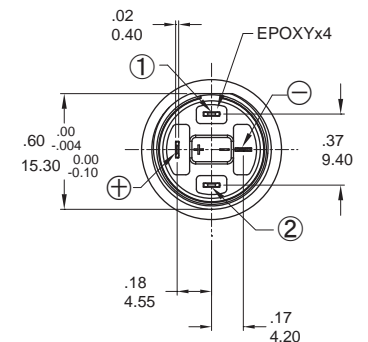
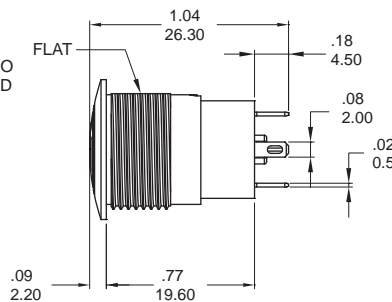
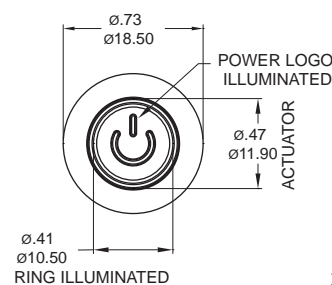


### R Ring



Part No. Shown :  
MPB16L-CARE-□□-JR-3V

### P Power logo



Part No. Shown :  
MPB16L-CBRP-□□-JR-3V