

SPECIFICATIONS

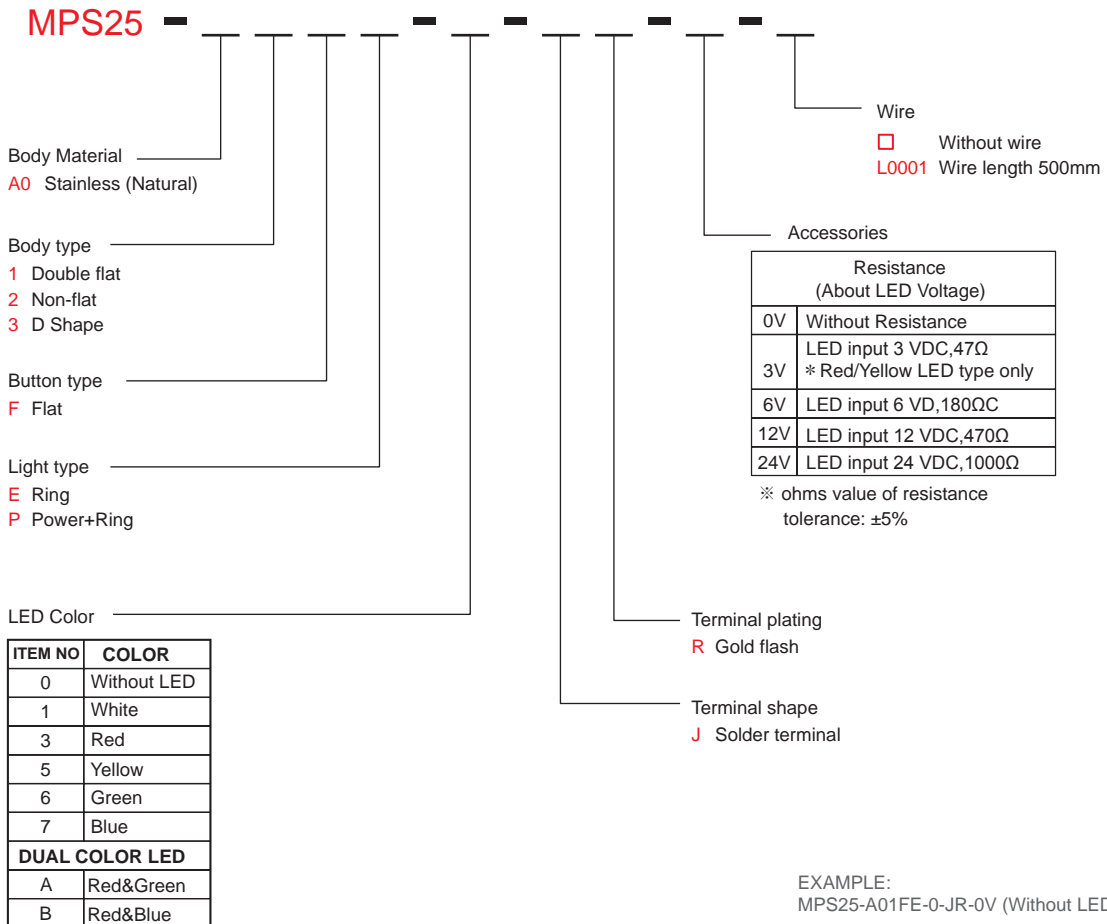
- RATING :** 2A/36VDC
 - ELECTRICAL LIFE:** 200,000 make-and-break cycles at full load.
 - MECHANICAL LIFE:** 1,000,000. Cycles
 - DIELECTRIC STRENGTH:** 2,000V RMS@sea level
 - CONTACT RESISTANCE:** 50mΩ MAX.@1A 12VDC(initial value)
 - OPERATING TEMPERATURE:** -20°C to 70°C
 - TRAVEL:** ABOUT 1.8±0.2mm
 - OPERATION PRESSURE:** 4.5±1.5N
 - INGRESS PROTECTION:** IP67,IK10(Stainless)
 - TORQUE:** 1~3Nm
- Current limiting resistor is required to limit led forward current to 20mA



MATERIALS

- BUSHING :** Stainless Steel
- BASE :** PA66, White UL-94V0
- ACTUATOR :** PC, Translucent UL-94V2
Stainless Steel
- INNER ASSEMBLY :** PC, Transparent UL-94V2
- SPRING :** Spring steel
- SEALING :** Silicone, Translucent
- O-Ring :** Silicone, Black
- TERMINAL :** Brass , Gold flash plated
- CONTACT :** Brass, Silver alloy
- HEX NUT :** Brass, Nickel plated

HOW TO ORDER



EXAMPLE:
MPS25-A01FE-0-JR-0V (Without LED)
MPS25-A01FE-□-JR-□V
LED color LED voltage
MPS25-A01FE-3-JR-12V-L0001(Wire)

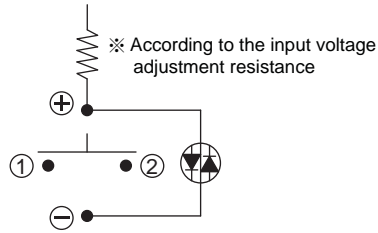
MPS25

25mm Short Metal Pushbutton Switches

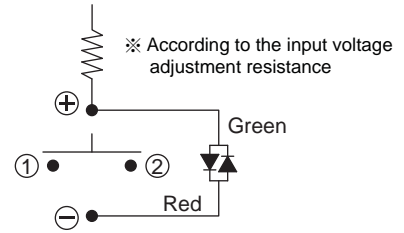
CIRCUIT



Without Led



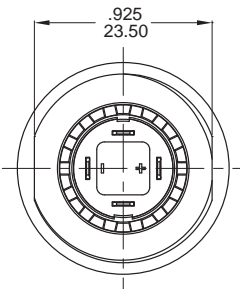
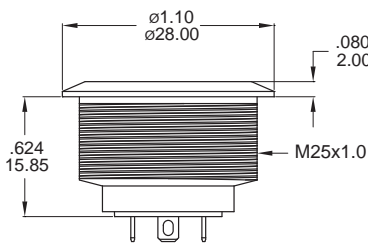
Single Color Led



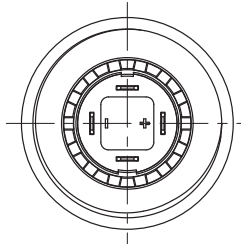
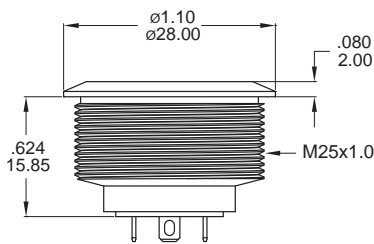
Dual Color Led

BODY TYPE

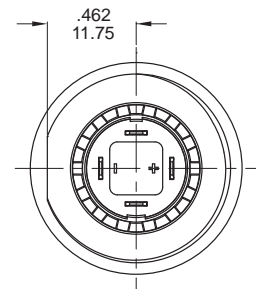
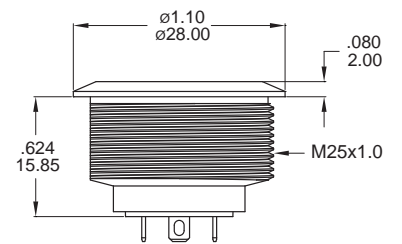
Double flat



Non-flat

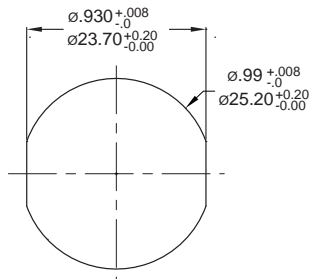


D Shape

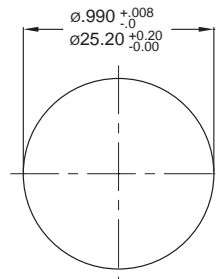


PANEL CUTOUT

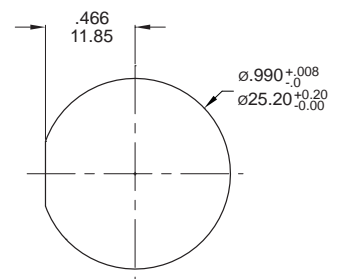
Thickness: 6.0mm(Max.)



Double flat



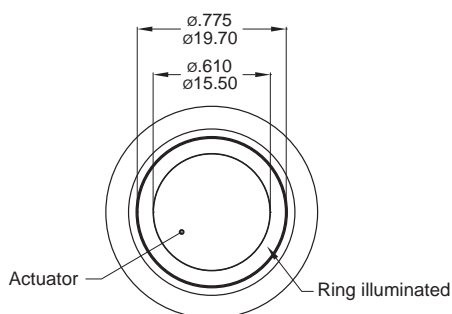
Non-flat



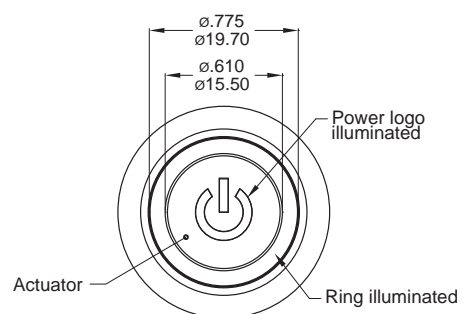
D Shape

LIGHT TYPE

E Ring



P Power+Ring



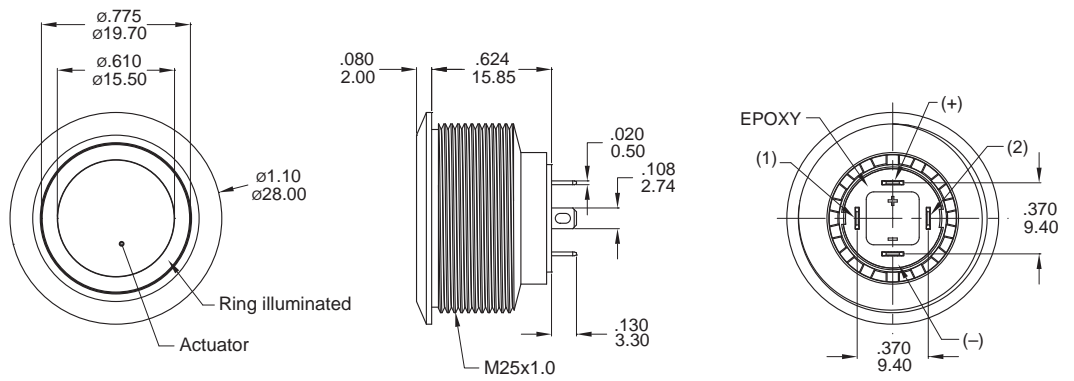
25mm Short Metal Pushbutton Switches

LIGHT TYPE

E Ring



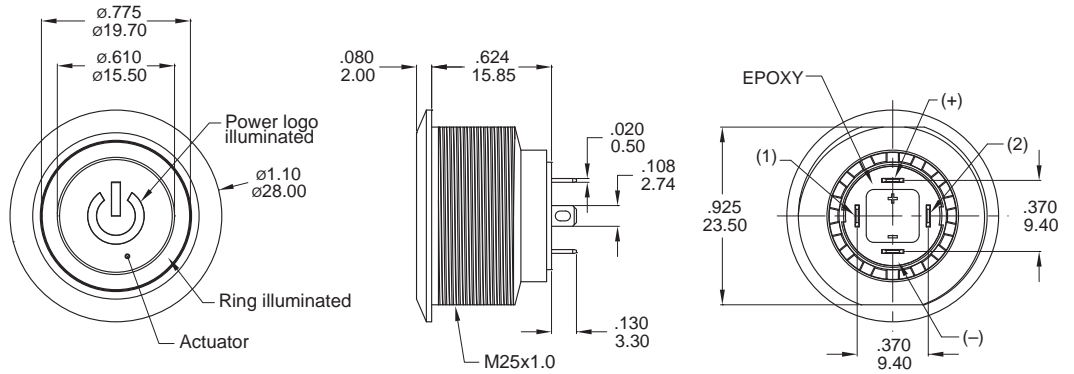
Part No. Shown :
MPS25-A02FE-□-JR-□V



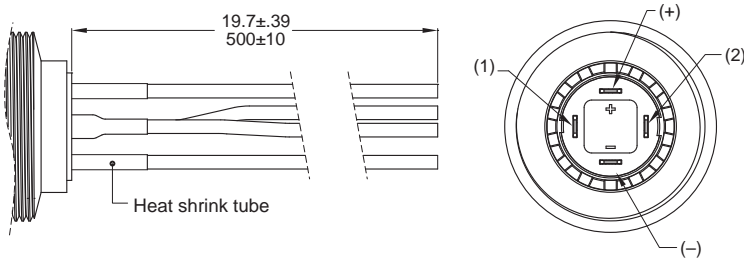
P Power+Ring



Part No. Shown :
MPS25-A01FP-□-JR-□V



L0001 ※Wire=Multi-wire lead AWG20,section 0.6mm²,UL approved

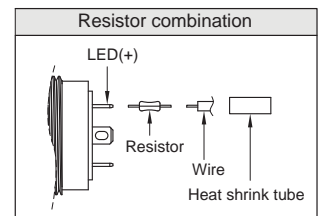


Non-LED

Description	Wire color
Terminal 1	Black
Terminal 2	Black

With LED

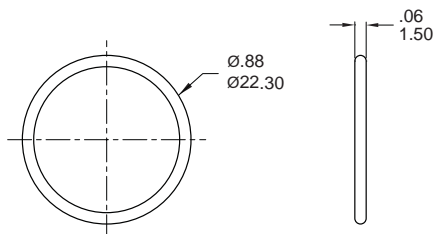
Description	Wire color
Terminal 1	Black
Terminal 2	Black
LED+	Red
LED-	Green



ADDITIONAL

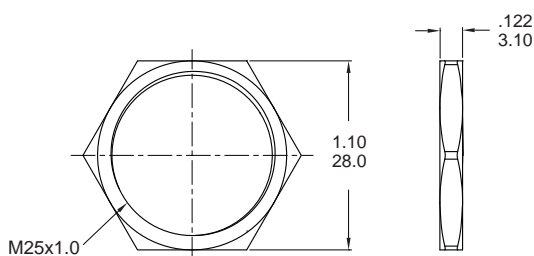
O-RING

No.:CP-MPB25



M25 NUT

No.:NU-MPB03



O-RING INSTALLATION

