

# MW19

## 19mm High Current Metal Pushbutton Switches



IP 67  
ACCORDING TO  
EN 60529:1989+A1:2001  
IEC 60529:2001



### SPECIFICATIONS

- RATING** : 16A, 26A 250/125VAC.
- CONTACT RESISTANCE** : 50 mΩ max. @ 1A 12VDC (initial value)
- INSULATION RESISTANCE** : 100 MΩ min. at 500VDC
- DIELECTRIC STRENGTH** : 1,500V RMS @ sea level
- OPERATION TEMPERATURE** : -25°C to 85°C
- MECHANICAL LIFE** : Momentary 1,000,000 cycles  
Latching 500,000 cycles
- ELECTRICAL LIFE** : 16A /125&250VAC 50,000 CYCLES  
26A /125&250VAC 10,000 CYCLES
- OPERATION PRESSURE** : 3.5±1.5N
- TRAVEL** : About 3.2mm
- INGRESS PROTECTION** : IP67, IK08(Stainless)
- TORQUE** : 1~3Nm.

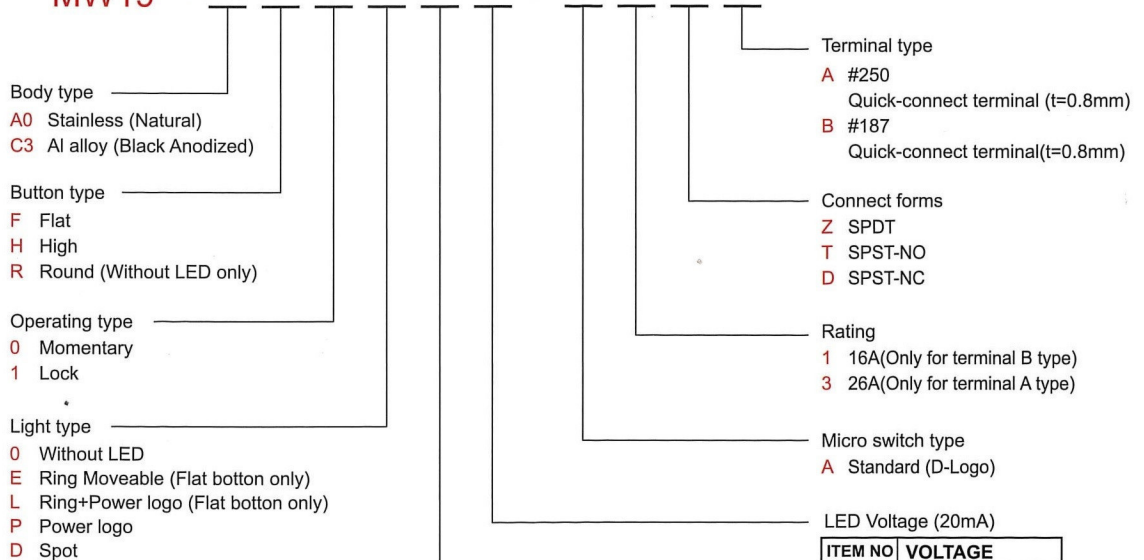


### MATERIALS

- BUSHING** : Stainless Steel / Aluminum alloy
- BASE** : PBT(UL 94-V0) , PC(UL 94-V2)
- ACTUATOR** : PC ; Stainless Steel / Aluminum alloy
- INNER ASSEMBLY** : POM / PA66.
- SPRING** : Steel.
- SEALING** : Silicone.
- O-Ring** : Silicone.
- TERMINAL**: Brass ,Silver plated.
- HEX NUT** : Nickel plated brass.

### HOW TO ORDER

## MW19



LED Color

ITEM NO	COLOR
0	Without LED
1	White
3	Red
5	Yellow
6	Green
7	Blue
<b>DUAL COLOR LED</b>	
A	Red&Green
B	Red&Blue

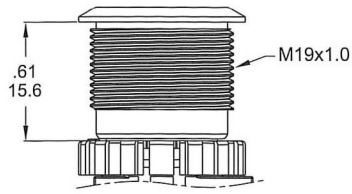
ITEM NO	VOLTAGE
0	Without resistor
3	3V
6	6V
12	12V
24	24V
36	36V
110	110V
220	220V

EXAMPLE:  
MW19-A0R0000-A3ZA(Without LED)  
MW19-A0F0E□□-A3ZA  
LED color □ □ LED voltage

# 19mm High Current Metal Pushbutton Switches

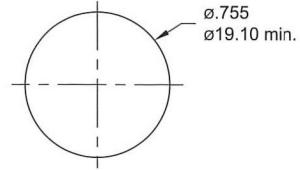
## BODY TYPE

A0/C3



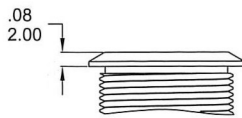
## PANEL MOUNTING

Max. Panel thickness: 10.0mm[.39]

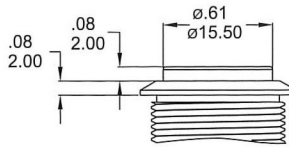


## BUTTON TYPE

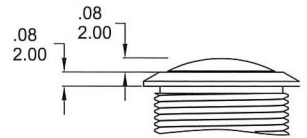
F Flat Button



H High Button

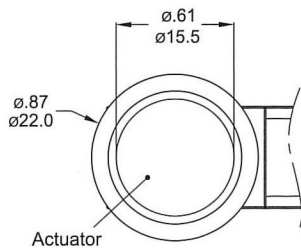


R Round Button (Without LED only)

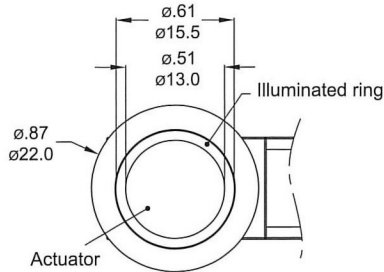


## LIGHT TYPE

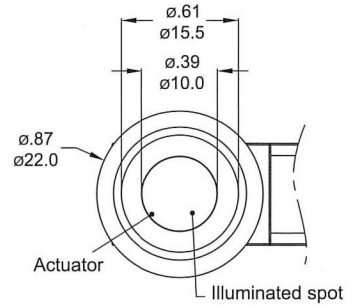
0 Without LED



E Ring Moveable

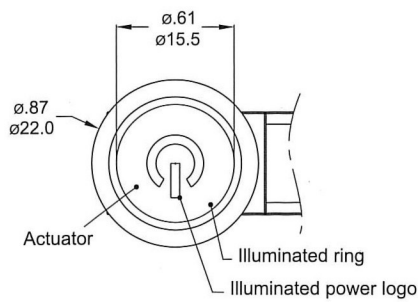


D Spot

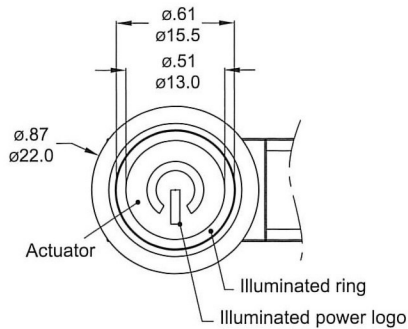


\* Flat button for E light type only.

P Power logo



L Ring+Power logo

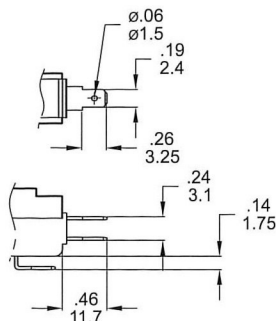


\* Flat button for L light type only.

## TERMINAL TYPE

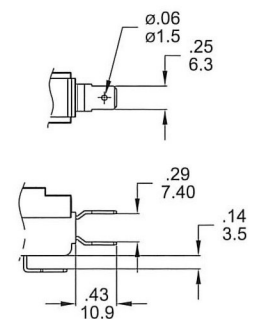
#187 Only 16A

Quick-connect terminal (t=0.8mm[.03])



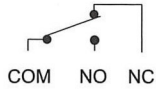
#250 Only 26A

Quick-connect terminal (t=0.8mm[.03])

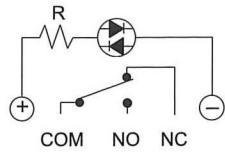


# 19mm High Current Metal Pushbutton Switches

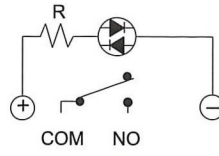
## CIRCUIT



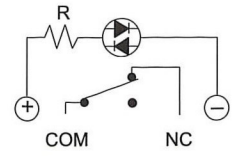
Non-LED



SPDT



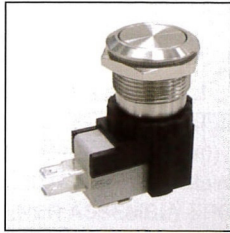
SPST-NO



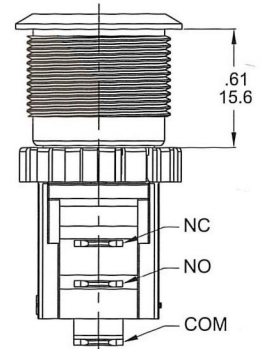
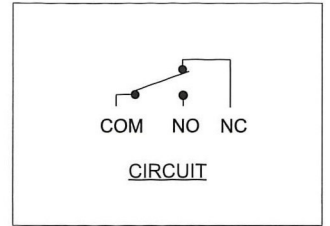
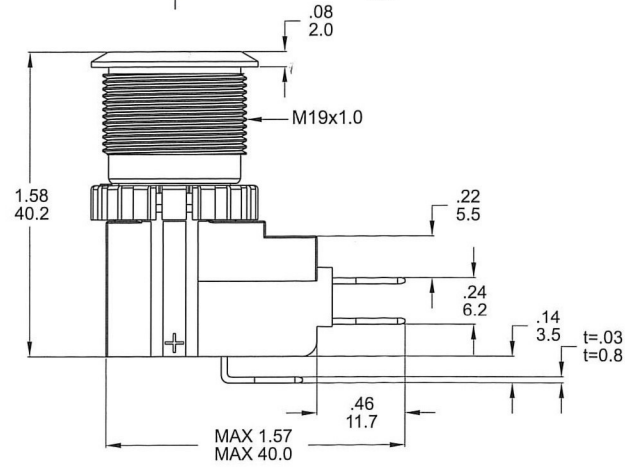
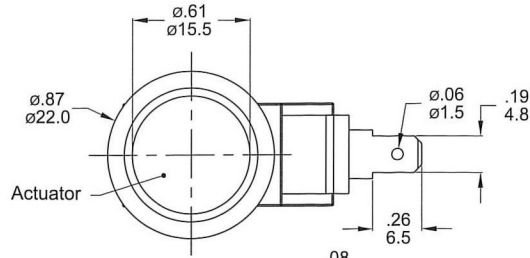
SPST-NC

## DIMENSION

0 Without LED



Part No. Shown :  
MW19-A0F0000-A1ZB



E Ring Moveable  
(Flat bottom only)



Part No. Shown :  
MW19-A0F0E3-A3ZA

