



IP 67
ACCORDING TO
EN 60529:1991+A1:2001
IEC 60529:2001



RoHS
compliant



22mm High Current Metal Pushbutton Switches

MW22

SPECIFICATIONS

RATING : 16A, 26A 250/125VAC.

CONTACT RESISTANCE : 50 mΩ max. @ 1A 12VDC (initial value)

INSULATION RESISTANCE : 100 MΩ min. at 500VDC

DIELECTRIC STRENGTH : 1,500V RMS @ sea level

OPERATION TEMPERATURE : -25°C to 85°C

MECHANICAL LIFE : Momentary 1,000,000 cycles
Latching 500,000 cycles

ELECTRICAL LIFE : 16A /125&250VAC 50,000 CYCLES
26A /125&250VAC 10,000 CYCLES

OPERATION PRESSURE : 3.5±1.5N

TRAVEL : About 3.2mm

INGRESS PROTECTION : IP67, IK08(Stainless)

TORQUE: 1~3Nm.



MATERIALS

BUSHING : Stainless Steel / Aluminum alloy

BASE : PBT(UL 94-V0) , PC(UL 94-V2)

ACTUATOR : PC ; Stainless Steel / Aluminum alloy

INNER ASSEMBLY : POM / PA66.

SPRING : Steel.

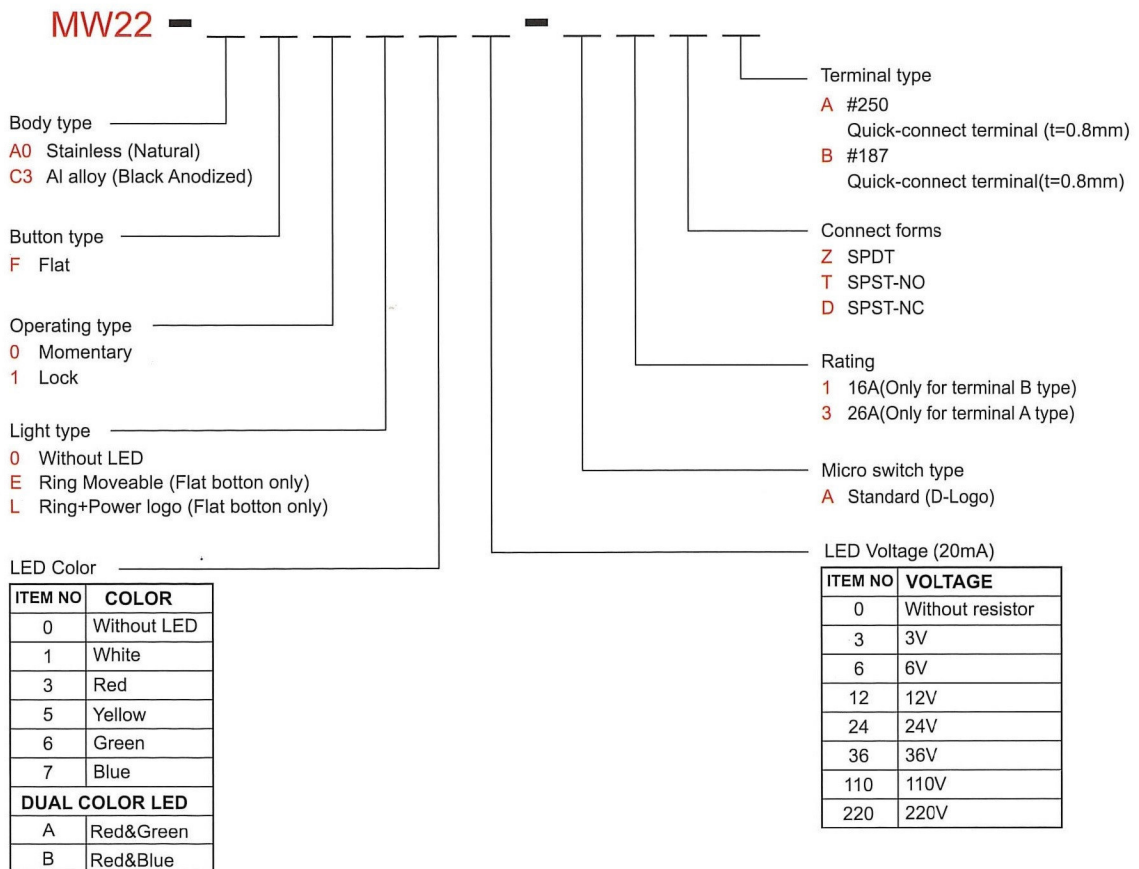
SEALING : Silicone.

O-Ring : Silicone.

TERMINAL: Brass ,Silver plated.

HEX NUT : Nickel plated brass.

HOW TO ORDER

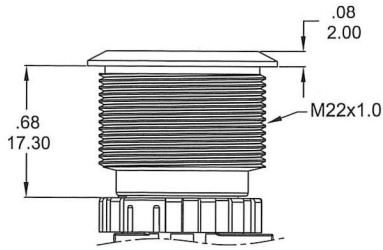


EXAMPLE:
 MW22-A0R0000-A3ZA(Without LED)
 MW22-A0F0E □ □ -A3ZA
 LED color — LED voltage

22mm High Current Metal Pushbutton Switches

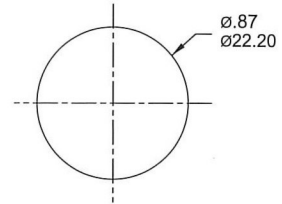
BODY TYPE

A0/C3



PANEL MOUNTING

Max. Panel thickness: 10.0mm [.39]

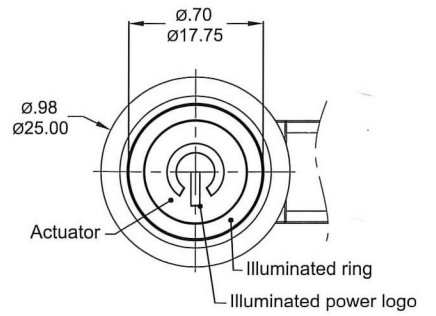
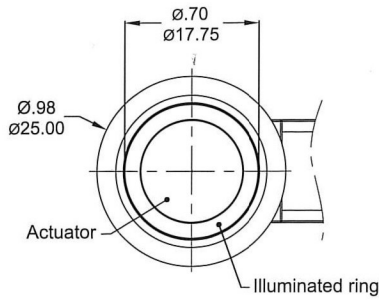
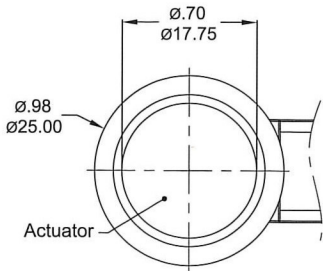


LIGHT TYPE

0 Without LED

E Ring Moveable

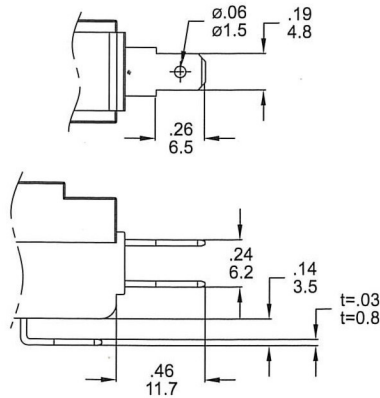
L Ring+Power logo



TERMINAL TYPE

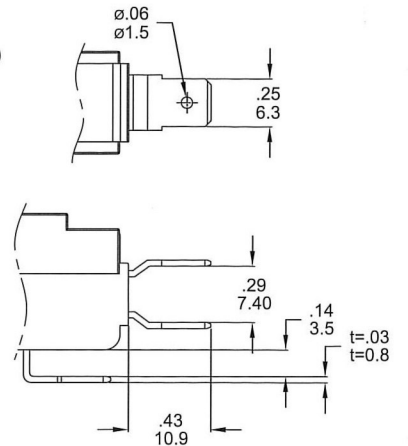
#187 Only 16A

Quick-connect terminal (t=0.8mm [.03])

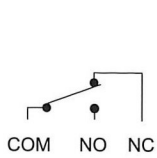


#250 Only 26A

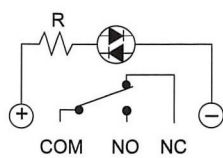
Quick-connect terminal (t=0.8mm [.03])



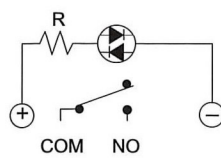
CIRCUIT



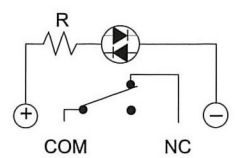
Non-LED



SPDT



SPST-NO

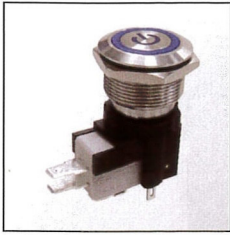


SPST-NC

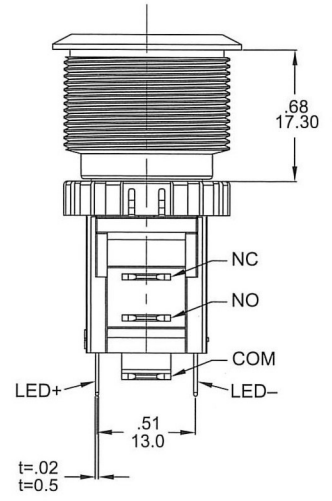
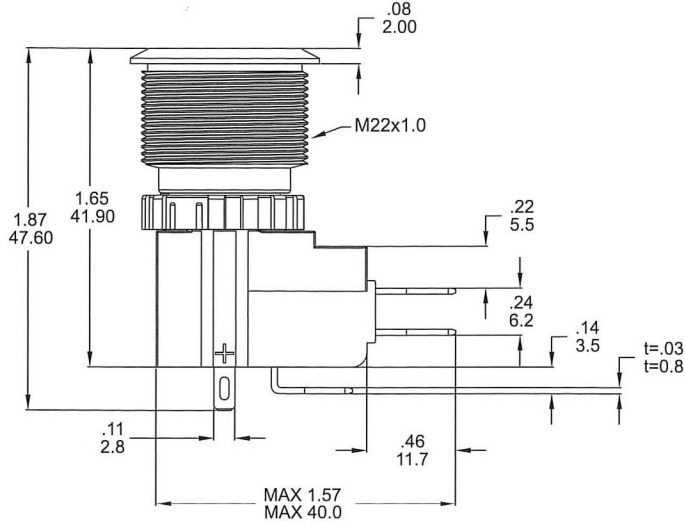
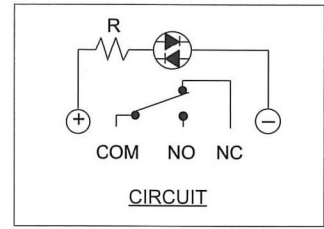
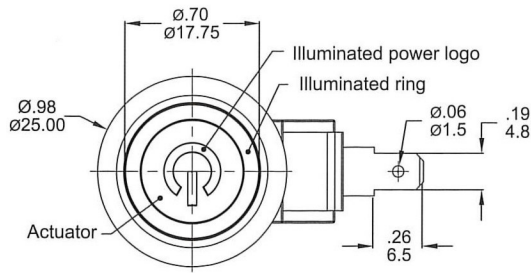
22mm High Current Metal Pushbutton Switches

DIMENSION

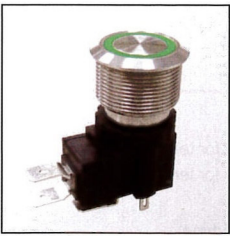
L Ring+Power logo



Part No. Shown :
MW22-A0F1L7□-A1ZB



E Ring Moveable



Part No. Shown :
MW22-A0F0E6□-A3ZA

