

MZ1 系列用于通用线路过载保护 FOR OVERLOAD PROTECTION OF GENERAL CIRCUIT



MZ1 系列 PTC 热敏电阻器是一种对异常温度及异常电流自动保护、自动恢复的保护元件，俗称“自复保险丝”“万次保险丝”。

MZ1 series of PTC thermistor are protective components which automatically protect and restore from abnormal temperature and current, also called "auto restore fuse" and "ten-thousand-time fuse".

其原理如图 2 所示：当电路处于正常状态时，通过 PTC 的电流小于额定电流，PTC 处于常态，阻值很小，不会影响被保护电路的正常工作。当电路出现故障，电流大大超过额定电流时，PTC 陡然发热，呈高阻态，使电路处于相对“断开”状态，从而保护电路不受破坏。当故障排除后，PTC 亦自动回复至低阻态，电路恢复正常工作。

选用 PTC 热敏电阻器作为过载保护元件，首先确认线路最大正常工作电流（就是 PTC 热敏电阻器的不动作电流）和 PTC 热敏电阻器安装位置（正常工作时）最高环境温度、其次是保护电流（就是 PTC 热敏电阻器的动作电流）、最大工作电压、额定零功率电阻，同时也应考虑元件的外形尺寸等因素。

如图 3 所示：使用环境温度，不动作电流及动作电流三者之间的关系。动作电流通常是不动作电流的 2-3 倍，随着工作温度的上升，不动作电流和动作电流都会相应减小。

The operating principle is as indicated in the following figures. When a circuit is in the normal status, the current through PTC is lower than the rated current and PTC is in the normal state with small resistance value, which will not affect the normal operation of the protected circuit. In case of some trouble in the circuit and the current is greater than the rated current, the PTC will become hot quickly and present a high resistance state, which sets the circuit relatively "off" to protect the circuit from damage. After the trouble is removed, PTC will automatically restore its low resistance state and the circuit will resume normal operation.

In selecting PTC thermistor as overload protection component, first, make sure of the maximum operating current in the circuit (non-trip current of PTC thermistor), and maximum ambient temperature in installation position, second, protective current (trip current of PTC thermistor), maximum operating voltage, rated zero power resistance, and also the outlook and dimension should be also taken into consideration.

Relation between operating temperature, operating current and non-operating current is as shown in Fig.3. Operating current is normally 2~3 times non-operating current, and both of the currents will be reduced as operating temperature increases.

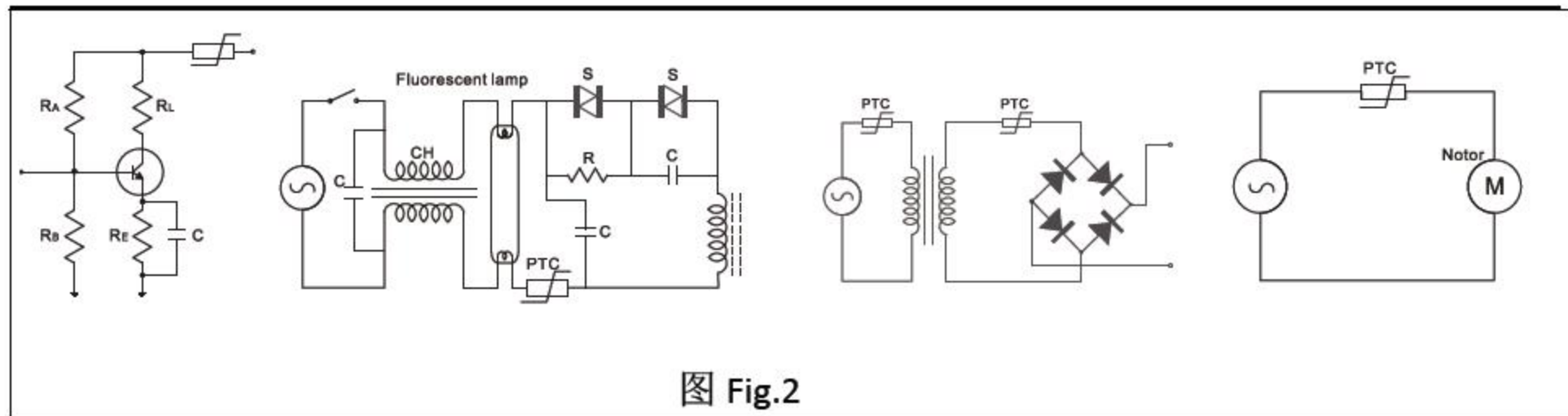


图 Fig.2

电流 - 环境温度的关系曲线
Current versus ambient temperature

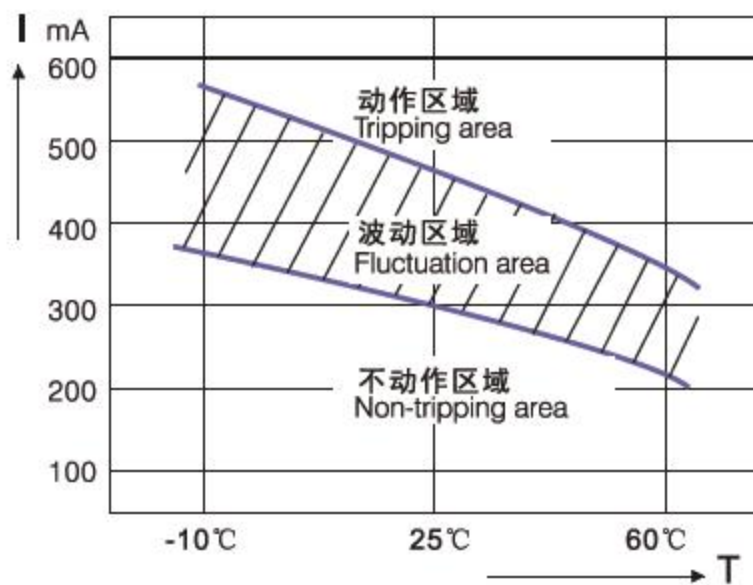


图 Fig.3

不同居里温度产品不动作电流与环境温度的依赖关系
of different Curie temperature product non-trip current versus ambient temperature

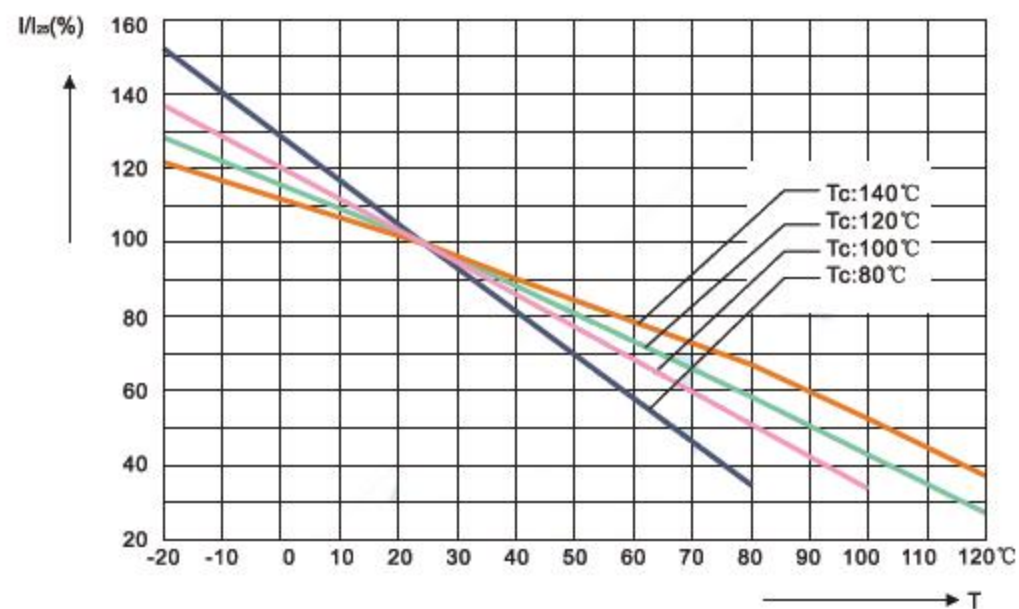


图 Fig.4

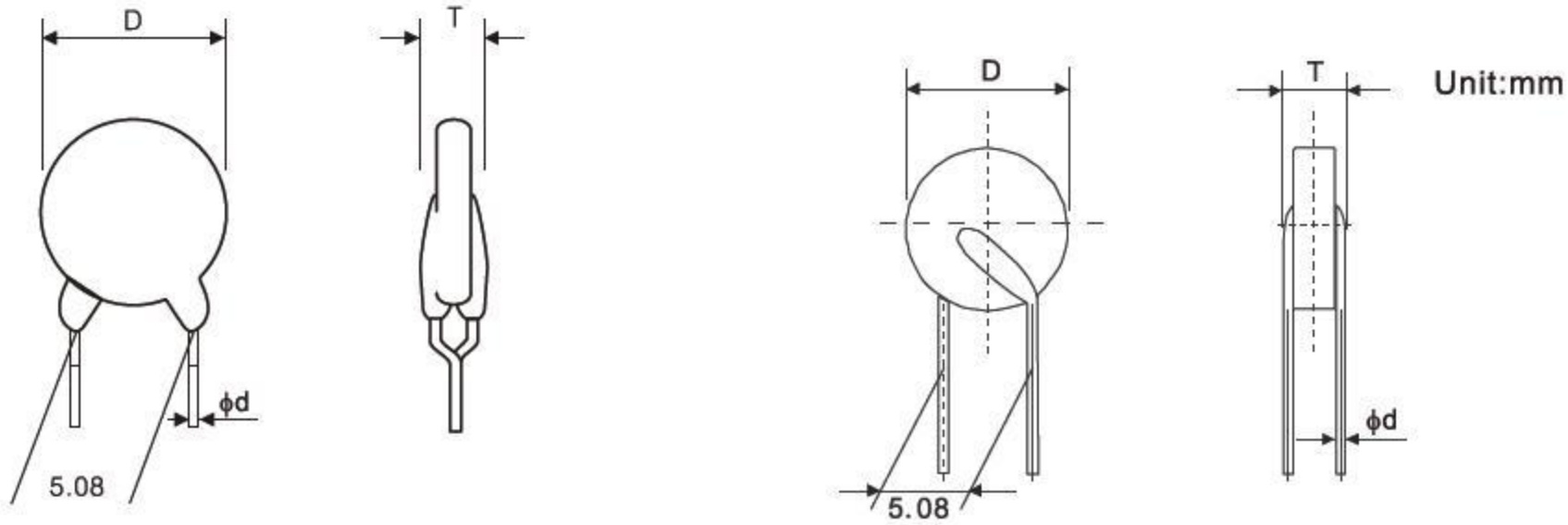
产品特点 PRODUCT FEATURES

1. MZ1 系列产品为树脂涂装引线型 resin coating leading-wire type
2. 适用连续在 15-265V_{AC} (高阻态) 电压下工作 Suitable for continuous work at 15-265V_{AC} (high impedance)
3. 规格齐全 Completed specification
4. 长期稳定 Long term stability
5. 产品过载保护后不需要再设置 Re-setting isn't need after overload protection
6. 开关无触点, 无噪音 Contactless switch, noiselessness

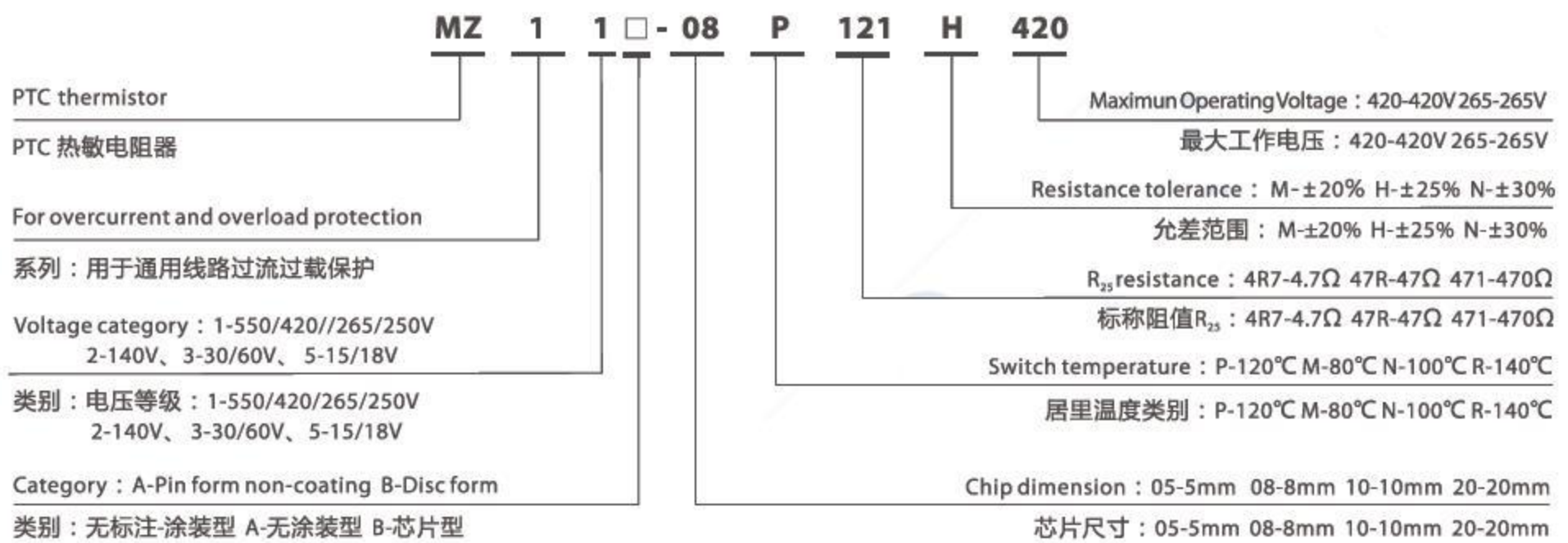
应用范围 APPLICATION

1. 开关电源 switch power supply
2. 变压器、适配器、充电 transformer, adaptor, charger
3. 电子线圈、控制面板 electric coils, control panel
4. 家用电器 (空调、微波炉等) house appliance (A/C, micro oven)
5. 电子线路 electronic circuit
6. 仪器仪表 instrument

产品外形结构图 OVERALL STRUCTURE



产品型号说明 MARKING OF PART NUMBER



规格表 SPEC.Table

Vmax=265/250V

Part Number 型号	Resistance @25°C 额定电阻值R ₂₅ (Ω) ±25% or ±20%	Non-trip current 不动作电流 Int (mA)		Trip current @ 25°C 动作电流 It (mA)	Max.operating voltage 最大工作电压 Vmax(V)	Max.Current 最大电流 Imax(A)	Switch Temperature 居里温度 Tc(°C)	Dimensions 外形尺寸(mm)		
		@ 25°C	@ 60°C					Dmax	Tmax	Φd
MZ11-20P2R6H265	2.6	650	500	1300	265	4.3	120(P)	22.0	5.0	0.6
MZ11-20P3R7H265	3.7	530	430	1050	265	4.3		22.0	5.0	0.6
MZ11-20P5R0H265	5.0	480	370	970	265	4.3		22.0	5.0	0.6
MZ11-16P5R0H265	5.0	420	320	840	265	3.1		17.5	5.0	0.6
*MZ11-16P6R0H265	6.0	390	300	780	265	3.1		17.5	5.0	0.6
*MZ11-16P7R0H265	7.0	350	280	700	265	3.1		17.5	5.0	0.6
MZ11-13P10RH265	10	300	200	600	265	1.8		14.0	5.0	0.6
MZ11-13P12RH265	12	270	180	540	265	1.8		14.0	5.0	0.6
MZ11-13P15RH265	15	240	160	500	265	1.8		14.0	5.0	0.6
MZ11-13P50RH265	50	130	100	200	265	1.8		14.0	5.0	0.6
MZ11-12P7R0H265(270)	7	330	270	660	265	1.8		14.0	5.5	0.6
MZ11-12P7R0H265	7	320	250	640	265	1.8		14.0	5.5	0.6
MZ11-12P8R0H265	8	300	230	600	265	1.8		14.0	5.0	0.6
MZ11-12P9R0H265	9	290	220	580	265	1.8		14.0	5.0	0.6
*MZ11-12P10RH265	10	250	200	500	265	1.8		14.0	5.0	0.6
MZ11-12P12RH265	12	240	180	480	265	1.8		14.0	5.0	0.6
*MZ11-12P15RH265	15	200	160	400	265	1.8		14.0	5.0	0.6
*MZ11-12P27RM270	27	120	90	350	270	1.8		13.0	5.0	0.6
MZ11-10P12RH265	12	230	160	460	265	1.2		11.0	5.0	0.6
*MZ11-10P15RH265	15	180	140	350	265	1.2		11.0	5.0	0.6
MZ11-10P18RH265	18	170	125	340	265	1.2		11.0	5.0	0.6
*MZ11-10P39RH265	39	130	100	250	265	1.2		11.0	5.0	0.6
MZ11-08P15RH250	15	150	120	300	250	0.8		9.0	5.0	0.6
MZ11-08P22RH250	22	135	110	270	250	0.8		9.0	5.0	0.6
*MZ11-08P25RH265	25	130	100	250	265	0.8		9.0	5.0	0.6
*MZ11-08P35RH265	35	115	90	225	265	0.8		9.0	5.0	0.6
MZ11-08P33RM270	33	110	90	240	270	0.8		9.0	5.0	0.6
*MZ11-08P39RM270	39	105	70	200	270	0.8		9.0	5.0	0.6
*MZ11-08P45RH265	45	105	80	200	265	0.8		9.0	5.0	0.6
MZ11-08P55RH265	55	90	70	180	265	0.8		9.0	5.0	0.6
MZ11-08P70RH265	70	75	60	150	265	0.8		9.0	5.0	0.6
MZ11-07P82RH265	82	70	50	140	265	0.6		8.0	5.0	0.6
MZ11-07P56RH265	56	90	60	175	265	0.6		8.0	5.0	0.6
MZ11-06P33RH250	33	110	85	200	250	0.4	7.0	4.5	0.6	
*MZ11-05P70RH265	70	65	50	130	265	0.3	6.5	5.0	0.6	
*MZ11-05P85RH265	85	60	45	120	265	0.3	6.5	5.0	0.6	
*MZ11-05P121H265	120	45	35	90	265	0.3	6.5	5.0	0.6	
MZ11-05P181H265	180	40	30	80	265	0.3	6.5	5.0	0.6	
MZ11-04P70RH250	70	50	40	100	250	0.2	5.5	5.0	0.6	
MZ11-04P121H265	120	40	30	80	265	0.2	5.5	5.0	0.6	
MZ11-03P151H250	150	40	30	75	250	0.2	4.5	5.0	0.5	
MZ11-03P221H265	220	30	24	60	265	0.2	4.5	5.0	0.5	
MZ11-12N12RH265	12	200	140	400	265	1.8	100(N)	13.0	5.0	0.6
MZ11-12N10RH265	10	220	180	440	265	1.8		13.0	5.0	0.6
MZ11-12N8R0H265	8	250	200	500	265	1.8		13.0	5.0	0.5
*MZ11-10N12RH250	12	180	130	350	250	1.2		11.0	5.0	0.6
*MZ11-10N12RH265(160)	12	210	160	420	250	1.2		12.0	5.0	0.6
MZ11-10N15RH265	15	175	120	320	265	1.2		11.0	5.0	0.6
MZ11-10N18RH265	18	145	110	320	265	1.2		11.0	5.0	0.6
*MZ11-10N22RH265(SMC400)	22	140	100	260	265	1.2		11.0	5.0	0.6
MZ11-10N27RH265	27	120	90	240	265	1.2		11.0	5.0	0.6
MZ11-08N25RH265	25	110	80	230	265	1.0		9.0	5.0	0.6
MZ11-08N35RH265	35	95	70	190	265	1.0		9.0	5.0	0.6
MZ11-08N45RH265	45	85	55	170	265	1.0		9.0	5.0	0.6
*MZ11-07N22RH250	22	120	80	210	250	0.5		8.0	5.0	0.5
*MZ11-07N35RH265	35	95	70	190	265	0.5		8.0	5.0	0.5

Vmax=265/250V

Part Number 型号	Resistance @25°C 额定电阻值R ₂₅ (Ω) ±25%	Non-trip current 不动作电流 Int (mA)		Trip current @ 25°C 动作电流 It (mA)	Max.operating voltage 最大工作电压 Vmax(V)	Max.Current 最大电流 Imax(A)	Switch Temperature 居里温度 Tc(°C)	Dimensions 外形尺寸(mm)			
		@ 25°C	@ 60°C					Dmax	Tmax	Φd	
*MZ11-07N50RH265	50	85	60	170	265	0.5	100(N)	8.0	5.0	0.5	
*MZ11-07N60RH265	60	80	50	160	265	0.5		8.0	5.0	0.5	
MZ11-05N82RH265	82	55	40	105	265	0.3		6.5	5.0	0.5	
MZ11-05N101H265	100	50	35	100	265	0.3		6.5	5.0	0.5	
MZ11-05N121H265	120	45	32	90	265	0.3		6.5	5.0	0.5	
*MZ11-05N151H265(SMC200)	150	38	30	80	265	0.3		6.5	5.0	0.5	
MZ11-05N201H265	200	30	25	65	265	0.3		6.5	5.0	0.5	
*MZ11-05N301H265	300	27	20	55	265	0.3		6.5	5.0	0.5	
*MZ11-05N601H265	600	20	12	40	265	0.2		6.5	5.0	0.5	
MZ11-04N151H265	150	36	28	80	265	0.3		5.5	5.0	0.5	
MZ11-03N101H250	100	40	30	80	250	0.2		4.5	5.0	0.5	
MZ11-03N70RH250	70	45	35	90	250	0.1		4.5	5.0	0.5	
MZ11-08M12RH250	12	120	70	220	250	0.8		80(M)	9.0	5.0	0.6
MZ11-08M15RH265	15	100	60	200	265	0.8			9.0	5.0	0.6
MZ11-08M25RH265	25	90	50	180	265	0.8	9.0		5.0	0.6	
MZ11-08M35RH265	35	80	45	160	265	0.8	9.0		5.0	0.6	
MZ11-08M40RH265	40	75	40	150	265	0.8	9.0		5.0	0.6	
MZ11-08M50RH265	50	60	35	120	265	0.8	9.0		5.0	0.6	
MZ11-07M101H265	100	40	25	80	265	0.6	8.0		5.0	0.6	
MZ11-05M70RH250	70	50	30	100	250	0.3	6.5		5.0	0.6	
MZ11-05M121H265	120	30	20	60	265	0.3	6.5		5.0	0.6	
MZ11-03M101H250	100	25	18	55	250	0.2	4.5		5.0	0.5	

Vmax=140V

Part Number 型号	Resistance @25°C 额定电阻值R ₂₅ (Ω) ±25%	Non-trip current 不动作电流 Int (mA)		Trip current @ 25°C 动作电流 It (mA)	Max.operating voltage 最大工作电压 Vmax(V)	Max.Current 最大电流 Imax(A)	Switch Temperature 居里温度 Tc(°C)	Dimensions 外形尺寸(mm)		
		@ 25°C	@ 60°C					Dmax	Tmax	Φd
MZ12-20P1R5H140	1.5	850	680	1700	140	4.3	120(P)	22.0	5.0	0.6
MZ12-20P2R6H140	2.6	650	500	1300	140	4.3		22.0	5.0	0.6
*MZ12-16P4R7H140	4.7	425	330	850	140	3.1		17.5	5.0	0.6
*MZ12-16P5R6H140	5.6	400	310	800	140	3.1		17.5	5.0	0.6
MZ12-13P6R8H140	6.8	325	250	650	140	1.8		14.0	5.0	0.6
*MZ12-12P5R6H140	5.6	325	250	650	140	1.8		13.5	5.0	0.6
*MZ12-12P6R8H140	6.8	300	230	600	140	1.8		13.5	5.0	0.6
*MZ12-10P10RH140	10	225	170	450	140	1.2		11.0	5.0	0.6
*MZ12-10P6R8H140	6.8	275	200	550	140	1.2		11.0	5.0	0.6
MZ12-08P15RH140	15	150	120	300	140	0.8		9.0	5.0	0.6
*MZ12-08P22RH140	22	135	110	270	140	0.8		9.0	5.0	0.6
MZ12-06P25RH140	25	125	90	250	140	0.5		7.0	5.0	0.6
MZ12-05P33RH140	33	90	70	175	140	0.3		6.5	5.0	0.6
*MZ12-16R2R1H140	2.1	710	570	1420	140	3.1		140(R)	17.5	5.0
MZ12-13R3R8H140	3.8	500	400	1000	140	1.8	14.0		5.0	0.6
MZ12-13R3R5H140	3.5	530	420	1100	140	1.8	14.0		5.0	0.6
MZ12-10R15RH140	15	210	170	420	140	1.2	11.0		5.0	0.6
MZ12-10R6R7H140	6.7	300	230	600	140	1.2	11.0		5.0	0.6
MZ12-10R10RH140	10	250	200	500	140	1.2	11.0		5.0	0.6
MZ12-08R12RH140	12	200	160	400	140	0.6	9.0		5.0	0.6

Vmax=30/60V

Part Number 型号	Resistance @25°C 额定电阻值R ₂₅ (Ω) ±25%	Non-trip current 不动作电流 Int (mA)		Trip current @ 25°C 动作电流 It (mA)	Max.operating voltage 最大工作电压 Vmax(V)	Max.Current 最大电流 Imax(A)	Switch Temperature 居里温度 Tc(°C)	Dimensions 外形尺寸(mm)		
		@ 25°C	@ 60°C					Dmax	Tmax	Φd
MZ13-10R1R8H30	1.8	650	550	1300	30	4.3	140(R)	11.0	4.0	0.6
MZ13-08R1R8H30	1.8	600	500	1100	30	3.0		9.0	4.0	0.6
MZ13-12P0R7H30	0.7	950	750	1900	30	5.5		13.5	4.0	0.6
MZ13-12P0R8H30	0.8	900	720	1800	30	5.5	120(P)	13.5	4.0	0.6
MZ13-12P1R0H30	1.0	800	620	1600	30	5.5		13.5	4.0	0.6
MZ13-12P1R2H30	1.2	750	600	1500	30	5.5		13.5	4.0	0.6
MZ13-12P1R8H30	1.8	500	430	1000	30	5.5		13.5	4.0	0.6
MZ13-10P2R7H30	2.7	450	320	900	30	4.3		11.0	4.0	0.6
MZ13-10P5R0H60	5.0	350	260	700	60	4.3		11.0	4.0	0.6
MZ13-08P1R8H30	1.8	550	450	1000	30	3.0		9.0	4.0	0.6
MZ13-08P4R2H30	4.2	280	230	560	30	3.0		9.0	4.0	0.6
MZ13-05P10RH30	10	170	140	340	30	1.0		6.5	4.0	0.6
MZ13-05P25RH60	25	110	85	200	60	1.0		6.5	4.0	0.6
MZ13-16P2R3H60	2.3	550	450	1100	60	8.0		17.5	4.0	0.6
MZ13-12P3R7H60	3.7	380	320	750	60	5.5		13.5	4.0	0.6
MZ13-10P5R6H60	5.6	300	250	600	60	4.3		11.0	4.0	0.6
MZ13-08P9R4H60	9.4	180	150	360	60	3.0		9.0	4.0	0.6
MZ13-05P25RH60	25	100	85	200	60	1.0		6.5	4.0	0.6
MZ13-03P55RH60	55	60	50	120	60	0.7		4.5	4.0	0.5
MZ13-08M1R5H30	1.5	350	210	700	30	3.0	80(M)	9.0	4.0	0.6
MZ13-08M1R8H30	1.8	300	160	600	30	3.0		9.0	4.0	0.6
MZ13-08M4R7H60	4.7	180	120	360	60	3.0		9.0	4.0	0.6

Vmax=30/60V

Part Number 型号	Resistance @25°C 额定电阻值R ₂₅ (Ω) ±25%	Non-trip current 不动作电流 Int (mA)		Trip current @ 25°C 动作电流 It (mA)	Max.operating voltage 最大工作电压 Vmax(V)	Max.Current 最大电流 Imax(A)	Switch Temperature 居里温度 Tc(°C)	Dimensions 外形尺寸(mm)		
		@ 25°C	@ 60°C					Dmax	Tmax	Φd
MZ15-12R0R8H18	0.8	1000	850	2000	18	5.5	140(R)	13.5	4.0	0.6
MZ15-10R1R2H15	1.2	850	700	1550	15	4.3		11.0	4.0	0.6
MZ15-08R1R0H15	1.0	850	700	1500	15	3.0		9.0	4.0	0.6
*MZ15-08R1R8H15	1.8	600	500	1100	15	3.0		9.0	4.0	0.6
MZ15-07R1R0H15	1.0	750	600	1350	15	2.5		8.0	4.0	0.6
MZ15-07R1R2H15	1.2	650	550	1200	15	2.5		8.0	4.0	0.6
MZ15-05R4R6H15	4.6	350	300	680	15	1.0		6.5	4.0	0.6
MZ15-03R13RH15	13	180	150	350	15	0.7		4.5	4.0	0.5
MZ15-10P1R2H18	1.2	700	600	1400	18	4.3	120(P)	11.0	4.0	0.6
MZ15-08P1R0H18	1.0	650	550	1200	18	3.0		9.0	4.0	0.6
*MZ15-08P1R8H15	1.8	550	450	1000	15	3.0		9.0	4.0	0.6
MZ15-07P1R8H18	1.8	500	400	900	18	3.0		8.0	4.0	0.6
MZ15-05P4R6H18	4.6	300	250	580	18	1.0		6.5	4.0	0.6
MZ15-03P13RH18	13	145	120	280	18	0.7		4.5	4.0	0.5
MZ15-08M1R0H18	1.0	450	300	850	18	3.0	80(M)	9.0	4.0	0.6
MZ15-08M1R5H18	1.5	350	210	700	18	3.0		9.0	4.0	0.6
MZ15-08M1R8H18	1.8	300	160	600	18	3.0		9.0	4.0	0.6

仪器, 仪表过流过载保护 FOR OVERLOAD PROTECTION OF INSTRUMENTS

Part Number 型号	Resistance @ 25°C 额定电阻值R _n (Ω) ±25%	Non-trip current 不动作电流 I _{nt} (mA)		Trip current @ 25°C 动作电流 I _t (mA)	Max.operating voltage 最大工作电压 V _{max} (V)	Max.Current 最大电流 I _{max} (A)	Switch Temperature 居里温度 T _c (°C)	Dimensions 外形尺寸(mm)		
		@ 25°C	@ 60°C					D _{max}	T _{max}	Φd
MZ11-03M151H265	150	22	15	45	265	0.2	80 (M)	4.5	5.0	0.5
MZ11-03M251H265	250	20	12	40	265	0.2		4.5	5.0	0.5
MZ11-03M102H265	1000	8	5	15	265	0.1		4.5	5.0	0.5
MZ11-03M152H265	1500	7	4	10	265	0.1		4.5	5.0	0.5
MZ11-04M251H265	250	20	12	40	265	0.3		5.5	5.0	0.6
MZ11-04M351H265	350	15	9	30	265	0.3		5.5	5.0	0.6
MZ11-05M45RH265	45	40	25	80	265	0.8		6.5	5.0	0.6
MZ11-05M251H265	250	25	15	45	265	0.3		6.5	5.0	0.6
MZ11-05M601H420	600	15	7	30	420	0.2		6.5	5.0	0.6
MZ11-05M102H420	1000	10	6	25	420	0.1		6.5	5.0	0.6
MZ11-05M152H420	1500	8	4	18	420	0.1		6.5	5.0	0.6
MZ11-05M232N420	2300	7	3	14	420	0.1		6.5	5.0	0.6
MZ11-05M312N420	3100	4	2	12	420	0.1		6.5	5.0	0.6
MZ11-07M20RH265	20	80	50	170	265	0.6		8.0	5.0	0.6
MZ11-07M25RH265	25	70	40	150	265	0.6		8.0	5.0	0.6
MZ11-07M101H265	100	40	25	80	265	0.6		8.0	5.0	0.6
MZ11-07M151H265	150	35	20	70	265	0.6		8.0	5.0	0.6
MZ11-07M201H265	200	25	15	50	265	0.5		8.0	5.0	0.6
MZ11-07M112H550	1100	15	10	30	550	0.5		8.0	5.0	0.6
MZ11-09M45RN265	45	60	30	120	265	1.0		10.0	5.0	0.6
MZ11-09M50RH420	50	75	45	150	420	1.0	10.0	5.0	0.6	
MZ11-09M60RH420	60	65	40	130	420	1.0	10.0	5.0	0.6	
MZ11-09M70RH420	70	60	35	110	420	1.0	10.0	5.0	0.6	
MZ11-09M151H265	150	45	25	90	265	1.0	10.0	5.0	0.6	
MZ11-10M25RH265	25	50	40	120	265	1.5	11.0	5.0	0.6	
MZ11-03N401N265	400	20	12	40	265	0.2	100(N)	4.5	5.0	0.5
MZ11-03N301H265	300	25	15	50	265	0.2		4.5	5.0	0.5
MZ11-03N151H265	150	30	25	60	265	0.2		4.5	5.0	0.5
MZ11-05N601H420	600	20	12	40	420	0.2		6.5	5.0	0.6
MZ11-05N751H420	750	18	12	36	420	0.2		6.5	5.0	0.6
MZ11-05N102H420	1000	15	10	30	420	0.2		6.5	5.0	0.6
MZ11-05N152H550	1500	12	7	21	550	0.1		6.5	5.0	0.6
MZ11-07N151H265	150	35	25	80	265	0.2	8.0	5.0	0.6	
MZ11-05P39RH250	39	80	65	160	250	0.2	120(P)	6.5	5.0	0.6
MZ11-05P70RH265	70	65	50	130	265	0.3		6.5	5.0	0.6
MZ11-05P601N420	600	21	14	45	420	0.2		6.5	5.0	0.6
MZ11-05P751H420	750	18	10	30	420	0.2		6.5	5.0	0.6
MZ11-05P152H550	1500	15	9	24	550	0.1		6.5	5.0	0.6
MZ11-07P501H420	500	20	15	50	420	0.6		8.0	5.0	0.6
MZ11A-08P70RN420	70	65	50	125	420	1.4		9.0	5.0	0.6
MZ11A-08P121N420	120	49	40	98	420	1.4		9.0	5.0	0.6
MZ11A-08P151N420	150	43	35	86	420	1.4		9.0	5.0	0.6
MZ11A-08P501N420	500	24	19	48	420	1.4		9.0	5.0	0.6
MZ11-12P20RH420	20	160	120	350	420	1.5	14.0	6.0	0.6	
MZ11-13P18RH265	18	220	140	450	265	1.8	14.0	5.0	0.6	

注/Note:

- 规格表中部分产品规格已通过 TUV、CQC 产品认证, 型号前加*的规格表示已通过 UL/CUL(E243011) 认证。 Part of our products of this table has passed the TUV,CQC, and part number with * indicates that this part has been UL/CUL listed (E243011).
- 规格表中 R25 电阻值精度可根据客户实际需要选择。 R25 resistance tolerance can be selected upon customer's requirement.
- 产品包装可按客户实际要求包装。 Packing can be made upon customer's requirement.
- 根据使用条件选择不同的引线规格。 The lead wire can be made upon customer's requirement.
- 以上参数仅供参考, 若知详细规格参数, 请详见具体型号规格书。 The Parameters is only for your reference, please find the detail part number in our Specifications.