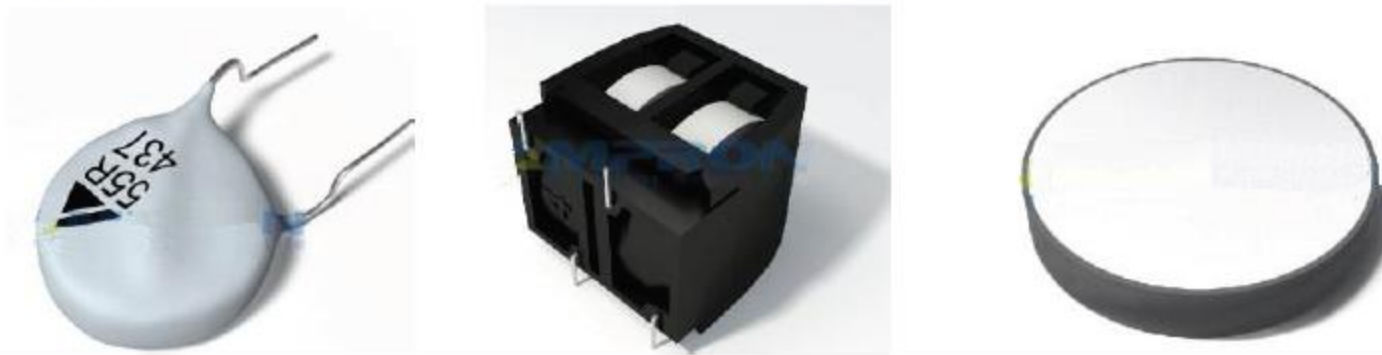


MZ2 系列用于通讯设备过载保护 FOR COMMUNICATION EQUIPMENT OVERLOAD PROTECTION



随着通讯设备技术的不断进步，对交换和用户设备的保护要求也大大提高了。用 PTC 热敏电阻器保护电话线路，主要针对以下原因引起的过电流现象：

- 直接雷击或者邻近电话线路设备的雷击引起的浪涌电流；
- 邻近的电力线路或者铁路系统故障时引起的交流感应电压；
- 电话线路与电力线路搭接；

通常每一条电话线都串联一个 PTC 热敏电阻，参见图 1，即使有初级保护（通常是一个气体放电管），PTC 热敏电阻也必须满足严格的要求。由于会出现高达 2 千伏的电压脉冲，为了耐受短期的感应电压，PTC 热敏电阻必须有高耐压能力。如果线路中有初级保护，PTC 热敏电阻耐压 200V~300V 就足够了，线路中没有初级保护，PTC 热敏电阻耐压必须在 600V 以上。AMPRON 公司能生产一系列满足上述要求的 PTC 热敏电阻器。

Advanced developments in telephony equipment in recent years have radically altered the protection requirements for both exchange and subscriber equipment. The PTC thermistor must protect the telephone line circuit against overcurrent, which may be caused by the following examples:

Surges due to lighting strikes on or near to the line plant.

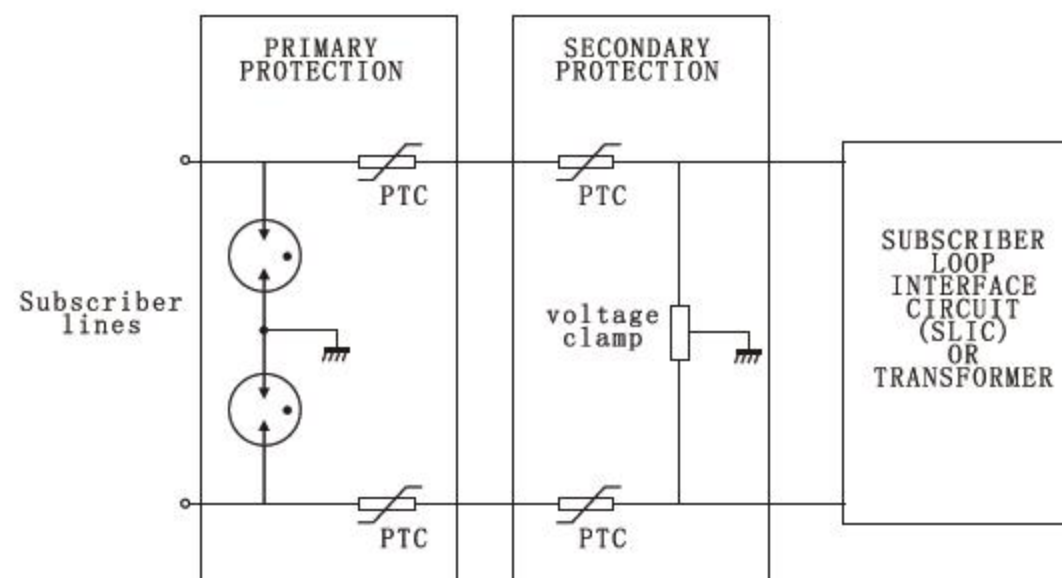
Short-term induction of alternating voltage from adjacent power lines or railway systems, usually caused when these lines or systems occur faults.

Direct contact between telephone lines and power lines.

To provide good protection under such conditions a PTC thermistor is connected in series with each line, usually as secondary protection; see Fig.1. However, even with primary line protection (usually a gas discharge tube), the PTC thermistor must fulfill severe requirements.

Surge pulses of up to 2 KV can occur and in order to withstand short-term power induction the PTC thermistor must withstand high voltages. If the line has primary protection, a 220V to 300V PTC thermistor is adequate. Without primary protection, 600V PTC device is necessary. Ampron manufactures a series of PTC thermistor fulfilling both requirements.

图 Fig.1



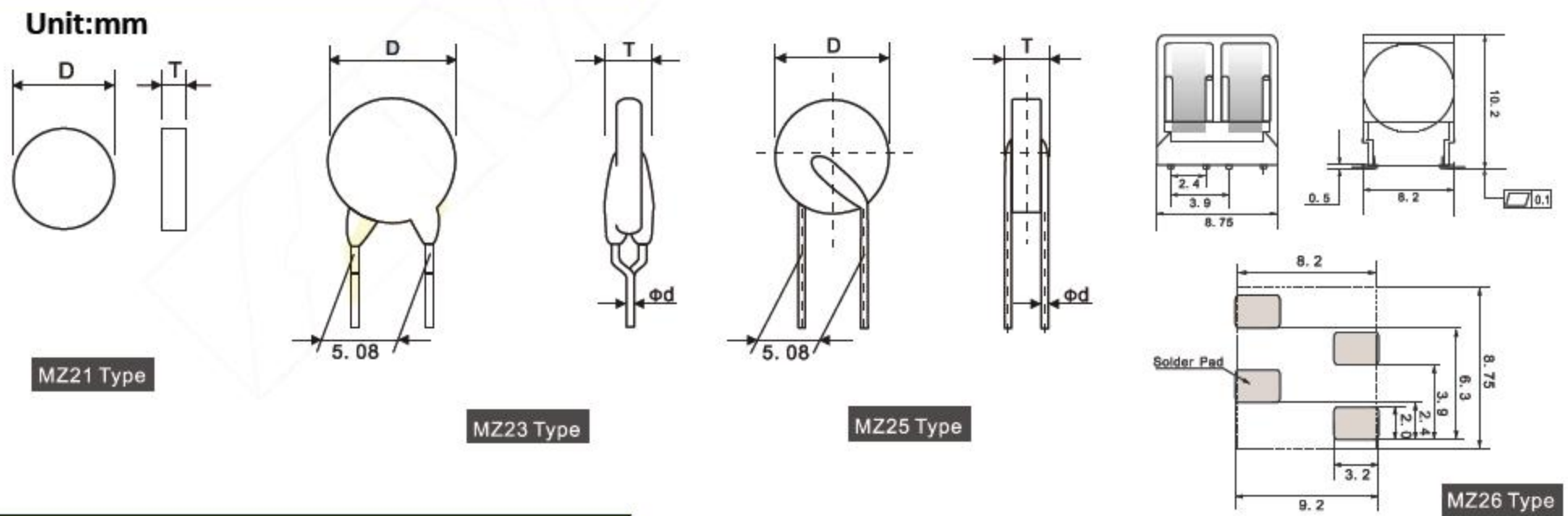
产品特点 PRODUCT FEATURES

1. MZ23 系列产品为树脂涂装引线型、MZ25 系列产品为无涂装引线型、MZ26 系列产品为贴片型 MZ23 is resin leading-wire type , MZ25 is non coating leading-wiretype
2. 满足 ITU-T K20 K21 fulfill ITU-T K20 K21
 - 电流冲击 (10/700 μ s) current impact (10/700 μ s)
 - 电力高压感应 (600V,1A,0.2S) electric high voltage induction (600V,1A,0.2S)
 - 电力线搭接 (230V,15min.) wire lap (230V,15min.)
3. 适用连续在 110/230V_{AC} (高阻态) 电压下工作 suitable for continuous work 110/230V_{AC}
4. 阻值允差小 (分阻配对) small resistance tolerance
5. 长期稳定 long term stability
6. 反应时间快 fast response
7. 产品过载保护后不需要再设置 re-setting isn't need after overload protection

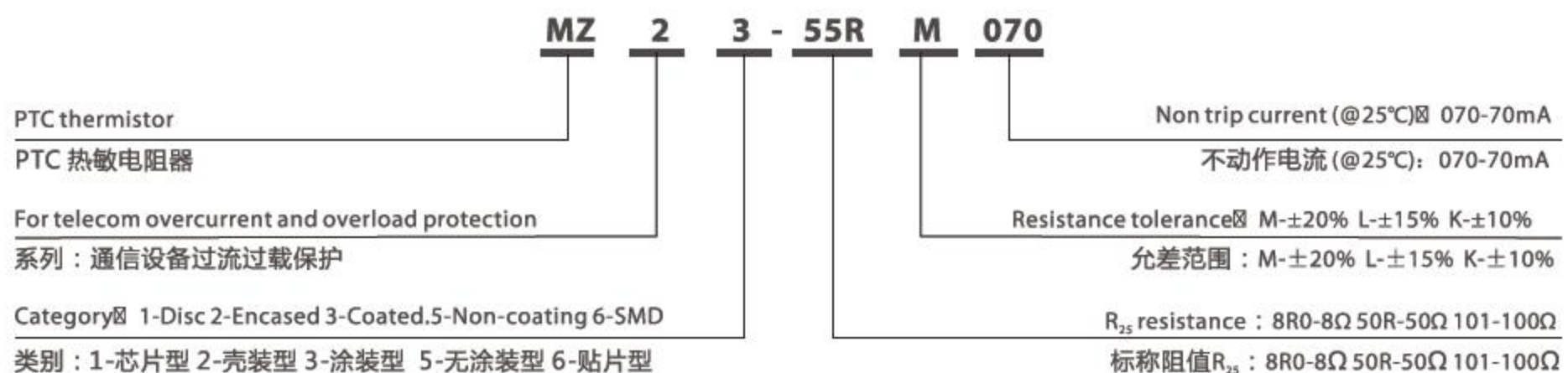
应用范围 APPLICATION

1. 程控交换机 SPC exchange
2. 配线架 distribution frame
3. 电话机 telephone
4. 通讯终端设备 communication terminal equipment
5. 通讯设备 communication equipment

产品外形结构图 OVERALL STRUCTURE



产品型号说明 MARKING OF PART NUMBER



规格表 SPEC.Table

通讯设备交换机过流过载保护 Overcurrent and overload protection for telecom exchange equipment

Part Number 型号	Resistance @25°C 额定电阻值R ₂₅ (Ω) ±20%	Non-trip current 不动作电流 Int (mA)		Trip current @ 25°C 动作电流 It (mA)	Tripping time at max current 最大电流下 的动作时间 t(Sec)	Max.Current 最大电流 Imax(A)	Max.Voltage 最大电压 Vmax (V)	Fail model 失效模式	Dimensions 外形尺寸(mm)		
		@ 25°C	@ 40°C						Dmax	Tmax	Φd
*MZ23-10RM150	10	150	130	280	<0.3	3.0	250	250V/10A	8.0	4.0	0.6
★MZ23-10RM130	10	130	100	260	<0.2	3.0	250	250V/10A	10.0	4.0	0.6
MZ23-12RM090	12	90	60	160	<0.2	2.0	250	250V/10A	9.0	5.0	0.6
MZ23-20RM100	20	100	80	200	<0.2	3.0	250	250V/10A	9.0	4.0	0.6
MZ23-35RM090	35	90	75	180	<0.2	3.0	250	250V/5A	9.0	5.0	0.6
MZ23-40RM080	40	80	70	160	<0.2	3.0	250	250V/5A	9.0	5.0	0.6
★*MZ23-50RM070	50	70	60	150	<0.2	3.0	250	250V/5A	9.5	5.0	0.6
★*MZ23-50RM075	50	75	60	150	<0.2	3.0	650	650V/10A	9.5	5.0	0.6
★MZ23-55RM070	55	70	60	150	<0.2	3.0	650	650V/10A	9.5	5.0	0.6
MZ25-9RM160	9	160	130	330	<0.8	3.0	250	250V/10A	10.5	4.5	0.6
MZ25-25RM100	25	100	80	220	<0.2	3.0	250	250V/10A	6.6	4.0	0.6
MZ25-25RM120	25	120	100	300	<0.4	3.0	250	250V/10A	8.2	4.0	0.6
MZ26-35RM080	35	80	60	180	<0.2	2.5	250	250V/10A	☒ ☒ 2 See Fig 2		

注：规格型号前加★表示此规格可通过短路电流波形 10/1000 μs, 最小开路电压 4.0KV 试验；

Note: Add ★ behind the part number means this specification can be through the short circuit current waveform 10/1000μ

通讯设备配线架过流过载保护 Overload protection for telecom main distribution frame (MDF)

Part Number 型号	Resistance @25°C 额定电阻值R ₂₅ (Ω) ±20%	Non-trip current 不动作电流 Int (mA)		Trip current @ 25°C 动作电流 It (mA)	Tripping time at max current 最大电流下 的动作时间 t(Sec)	Max.Current 最大电流 Imax(A)	Max.Voltage 最大电压 Vmax (V)	Dimensions 外形尺寸(mm)		
		@ 25°C	@ 40°C					Dmax	Tmax	Φd
MZ21-10RM150	10	150	130	350	<4.0	3	230	6.6	1.5	/
MZ21-18RM110	18	110	90	220	<0.15	3	250	5.5	1.5	/
MZ21-18RM130	18	130	110	260	<0.18	3	250	6.2	2.0	/
MZ21-20RM085	20	85	70	170	<0.18	3	250	6.2	2.0	/
MZ21-25RM055	25	55	45	110	<0.4	2	230	5.3	4.0	0.6
MZ21-25RM085	25	85	75	170	<0.7	2	230	5.3	4.0	0.6
MZ25-25RM055	25	55	45	110	<0.4	1	230	5.3	4.0	0.6
MZ25-25RM085	25	85	75	170	<0.7	1	230	5.3	4.0	0.6
MZ25-20RM145	20	145	100	250	<0.2	3	250	6.6	4.0	0.6
MZ25-10RM130	10	130	110	260	<4.0	1	230	6.6	4.0	0.6
MZ25-10RM150	10	150	135	300	<7.0	1	230	8.2	4.0	0.6
MZ25-18RM125	18	125	110	250	<1.0	1	230	5.5	4.0	0.6
MZ23-18RM135	18	135	110	270	<0.2	3	250	7.5	4.5	0.6
MZ23-18RM110	18	110	90	220	<0.2	3	250	9.0	4.5	0.6
MZ23-20RM100	20	100	80	200	<0.2	3	250	9.0	4.5	0.6
MZ23-25RM090	25	90	70	180	<0.2	3	250	9.0	4.5	0.6

注/Note:

1. 规格表中加*的规格表示已通过 UL/CUL (E243011) 认证。

Part number with * indicates that this part has been UL/CUL listed (E243011).

2. 规格表中 R25 电阻值精度及配对精度可根据客户实际需要选择。

R25 resistance tolerance can be selected upon customer's requirement.

3. 以上参数仅供参考，若知详细规格参数，请详见具体型号规格书。

The Parameters is only for your reference, please find the detail part number in our Specifications.

4. 产品包装可按客户实际要求包装。

Packing can be made upon customer's requirement.