

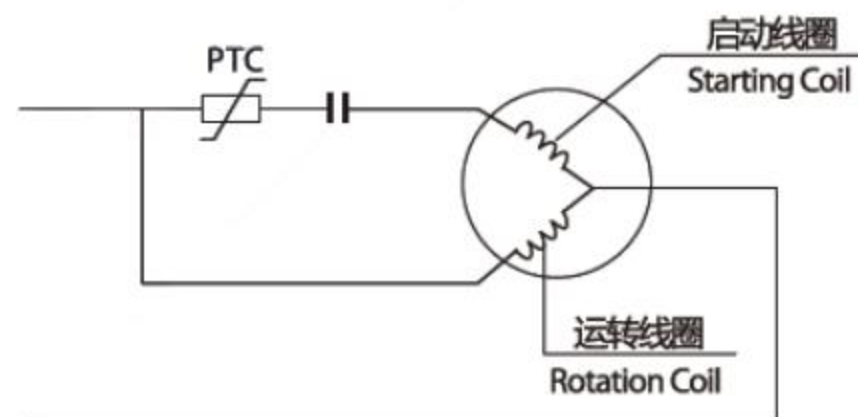
## MZ32 系列马达启动 FOR THE MOTOR START



本系列产品用于电冰箱、空调压缩机中，与启动线圈一起组成启动电路。PTC 启动器在接通电源的短时间内，可以通过较大电流，使电机启动运转；电机正常运转后，PTC 自动断开启动电路。

MZ32 PTC Thermistor is applied in air-conditioner and compressor. PTC starter allows a maximum current to flow in the short time switching on condition, makes the motor operate. After the normal operation of the motor, PTC automatically cuts off the starting circuit.

PTC启动器在启动电路中的连接举例  
A Sample of Starting Circuit with PTC Starter



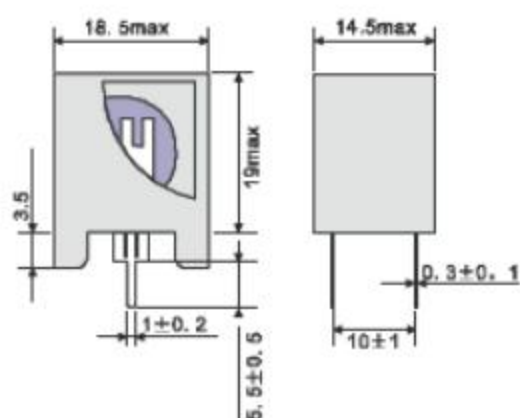
### 产品特点 PRODUCT FEATURES

1. MZ32 系列产品分两大类：A-芯片型、B-壳装型、C-涂装型  
MZ32 divided into three type: A-chip type、B-housing type、C-coating type
2. 耐电压：120V-500V Withstanding voltage: 120V-500V
3. 长期稳定 Long term stability
4. 无机械和电气噪音 No mechanical and electrical noise
5. 无触点 contactless

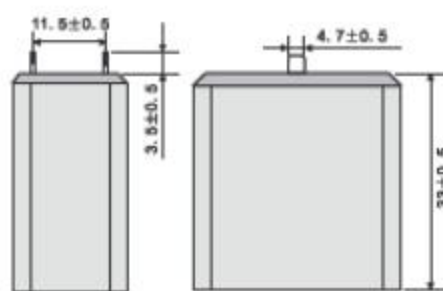
### 应用范围 APPLICATION

1. 家用电器（空调、冰箱）house appliance (Air conditioning、refrigerator)
2. 电机 motor

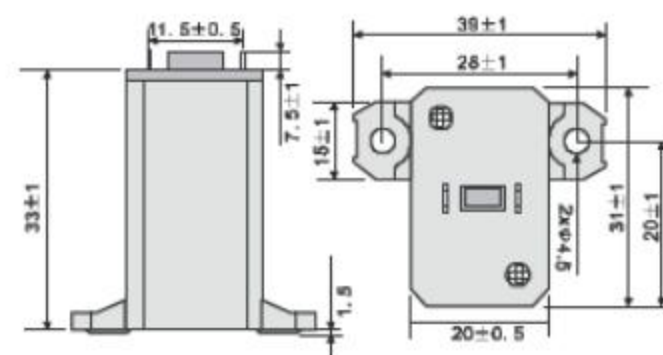
产品外形结构图 OVERALL STRUCTURE



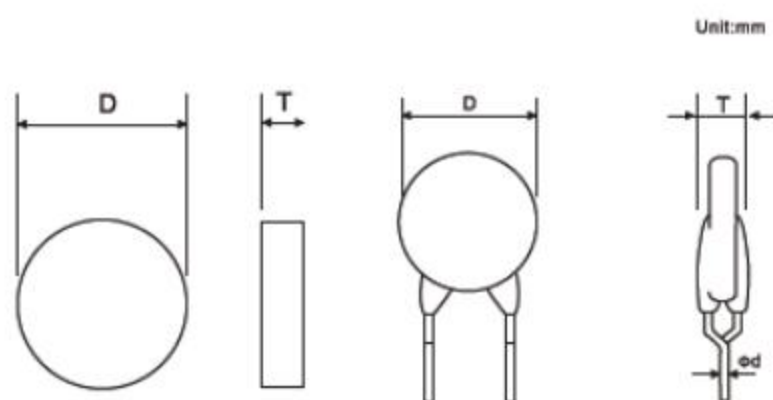
壳装型(I)  
Encased form(I)



壳装型(II)  
Encased form(II)



壳装型(III)  
Encased form(III)

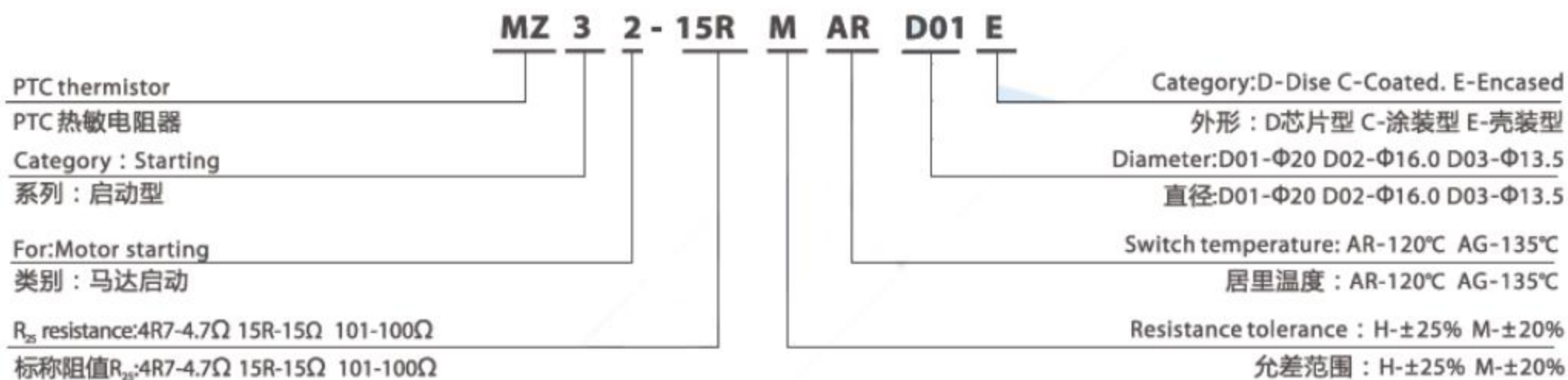


芯片型  
Disc form

涂装型  
Coated form

Unit:mm

产品型号说明 MARKING OF PART NUMBER





规格表 SPEC.Table

Part Number 型号	Switch Temperature 居里温度 Tc(°C)	Resistance @ 25°C 额定电阻值 R <sub>25</sub> (Ω)	Max.Voltage 最大电压 Vmax (V)	Max.Current 最大电流 Imax(A)	Starting Time 启动时间 t <sub>i</sub> (S)	Recovery Time 恢复时间 trmax(S)	Consumption Power 功率损耗 Pmax(W)	Disc Dimensions 芯片外形尺寸(mm)	
								D	T
MZ32-22RMARD01□	120±10	22	300	9	0.2-0.8	85	3	20.0 <sup>+0.5</sup> -1.0	2.5±0.2
MZ32-40RMARD01□		40	300	9	0.2-0.8	85	3		
MZ32-47RMARD01□		47	300	9	0.2-0.8	85	3		
MZ32-68RMARD01□		68	380	8	0.2-0.8	85	3		
MZ32-22RMARD02□		22	280	8	0.2-0.8	80	3	16.0±0.5	2.5±0.2
MZ32-33RMARD02□		33	280	8	0.2-0.8	80	3		
MZ32-47RMARD02□		47	300	8	0.2-0.8	80	3		
MZ32-68RMARD02□		68	300	8	0.2-0.8	80	3		
MZ32-47RMARD03□		47	300	6	0.1-0.6	70	3.5	13.5±1.0	2.5±0.2
MZ32-22RMAGD01□	135±10	22	300	8	0.2-1.0	65	3.2	20.0 <sup>+0.5</sup> -1.0	2.5±0.2
MZ32-33RMAGD01□		33	300	8	0.2-1.0	65	3.2		
MZ32-47RMAGD01□		47	300	8	0.2-1.0	65	3.2		
MZ32-68RMAGD01□		68	380	7	0.2-1.0	65	3.2		
MZ32-22RMAGD02□		22	280	7	0.2-0.8	65	3.2	16.0±0.5	2.5±0.2
MZ32-33RMAGD02□		33	300	7	0.2-0.8	65	3.2		
MZ32-47RMAGD02□		47	300	7	0.2-0.8	65	3.2		
MZ32-68RMAGD02□		68	300	7	0.2-0.8	65	3.2		
MZ32-22RMAGD03□		22	240	6	0.1-0.6	65	3.0	13.5±1.0	2.5±0.2
MZ32-33RMAGD03□		33	280	6	0.1-0.6	65	3.0		
MZ32-40RMAGD03□		40	300	6	0.1-0.6	65	3.0	18.0±1.0	6±0.5
MZ32-60RMAGD02C		60	320	4	0.2-0.8	65	3.4		
MZ32-80RMAGD02C		80	350	4	0.2-0.8	65	3.4		
MZ32-101RMAGD02C		100	400	4	0.2-0.8	65	3.4		
MZ32-121RMAGD02C		120	400	3	0.2-0.8	65	3.4		
MZ32-151RMAGD02C		150	400	3	0.2-0.8	65	3.4		
MZ32-181RMAGD02C		180	400	2.5	0.2-0.8	65	3.4		

注/Note :

- 规格表中的外形（芯片型、壳装型、涂装型）可根据客户需要选择。The product shape(Disc form,Encased form, Coated form)can be made upon customer,s requirement.
- 以上参数仅供参考，若知详细规格参数，请详见具体型号规格书。The parameters is only for your reference,please find the detail part number in our specifications.