



Details

No Attachment

Our sensors have the heat and moisture resistance and heat response speed for a wide range of microwave, gas and electric ovens. Its temperature sensors are used in the cooking control of ovens, while its humidity sensors are used to control automatic cooking in microwave ovens.

Temperature is at the very heart of microwave oven operations; the sensors used in them must work through repeated temperature cycle changes in humid, oily environments.

Humidity sensor

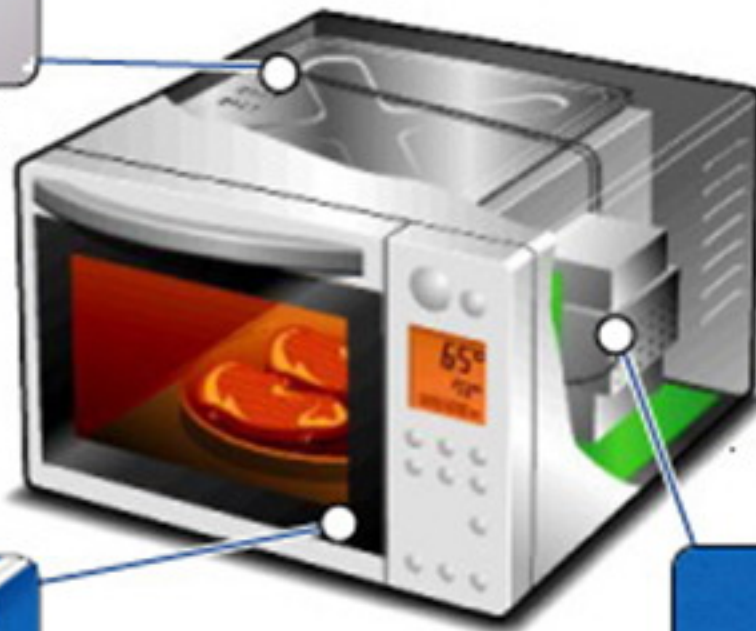


HS-13

Temperature sensor in chamber  
U1M-342-IT



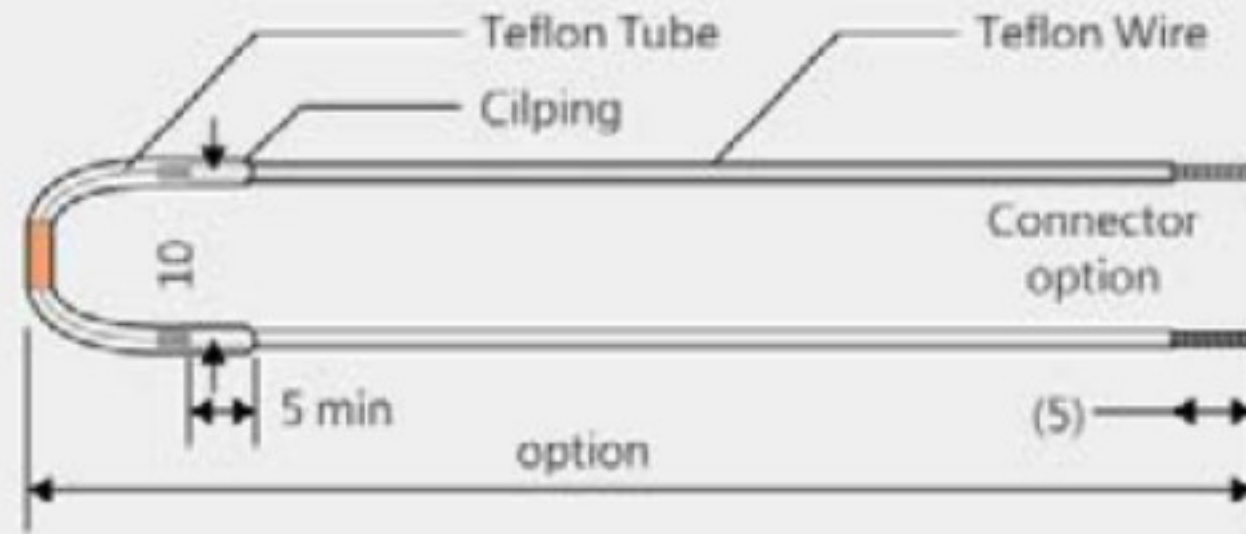
Temperature sensor at Magnetron  
PTP-43C-V1-1



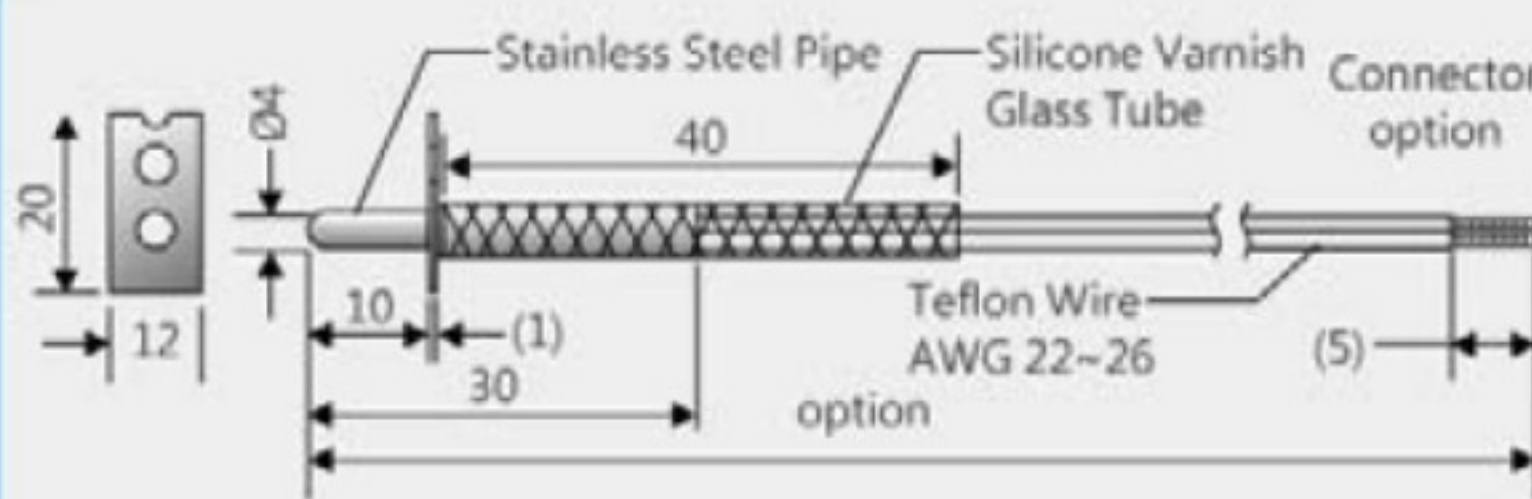
HS-13	Humidity sensor
U1M-342-IT	Temperature sensor in chamber
PTP-43C-V1-1	Temperature sensor at Magnetron



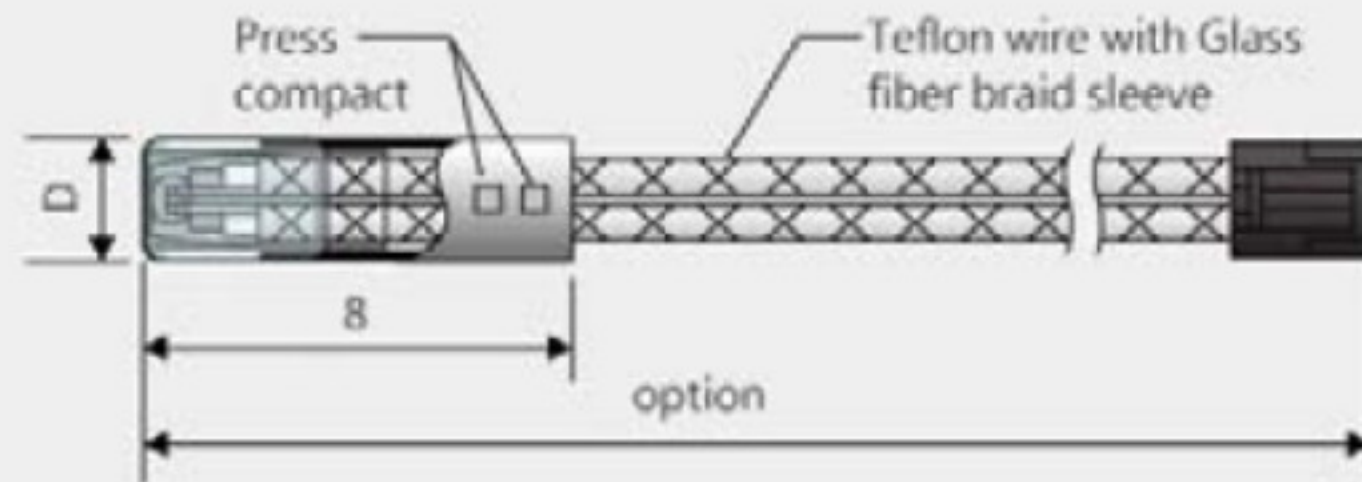
# Microwave oven/Oven



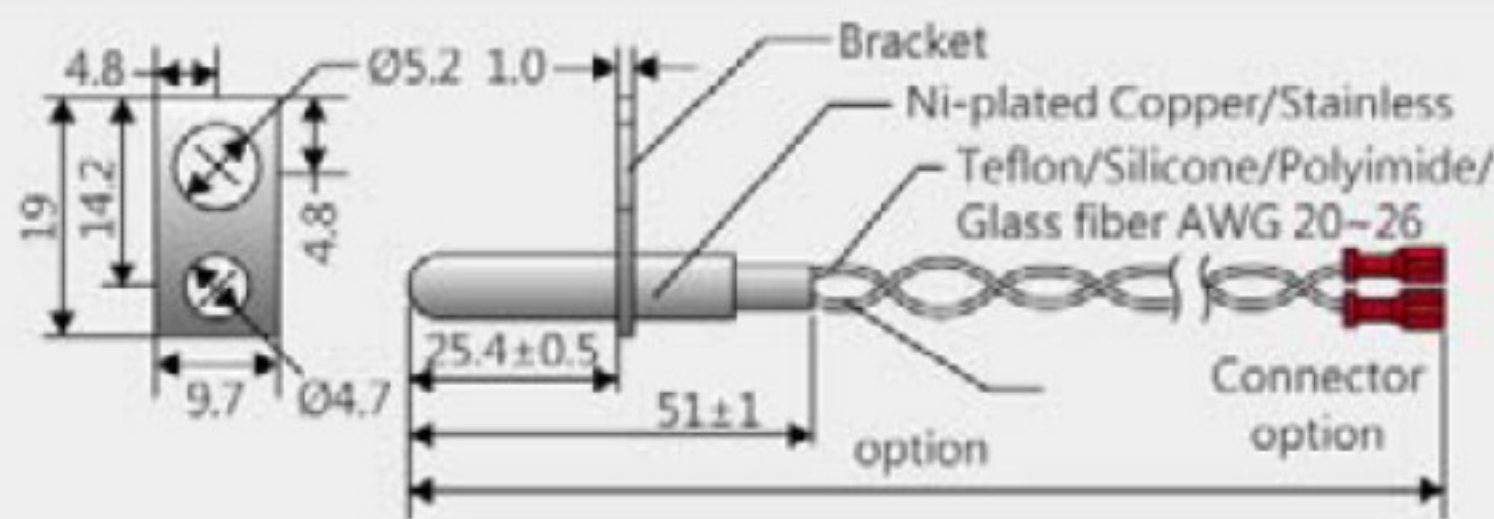
Application :  
Home Baker , Rice Cooker  
Operating temp. range :  
-30~ +260°C  
Dissipation constant :  
Approx. 2.5mW/°C  
Thermal time constant :  
Approx. 5 sec  
Withstand voltage :  
1000V AC for 1 min



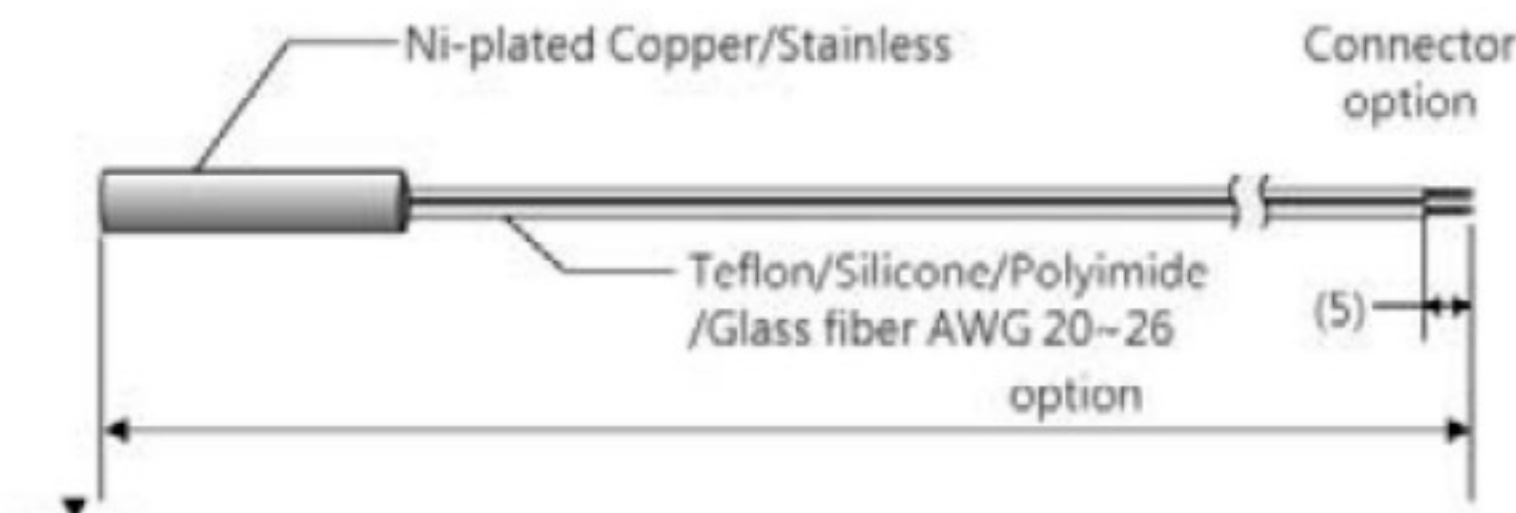
Application :  
Home Baker , Microwave oven  
Operating temp. range :  
-30~ +260°C  
Dissipation constant :  
Approx. 3mW/°C  
Thermal time constant :  
Approx. 10 sec  
Withstand voltage :  
1000V AC for 1 min



Application :  
Home Baker , Microwave oven  
Operating temp. range :  
-30~ +260°C  
Dissipation constant :  
Approx. 3mW/°C  
Thermal time constant :  
Approx. 10 sec  
Withstand voltage :  
1000V AC for 1 min



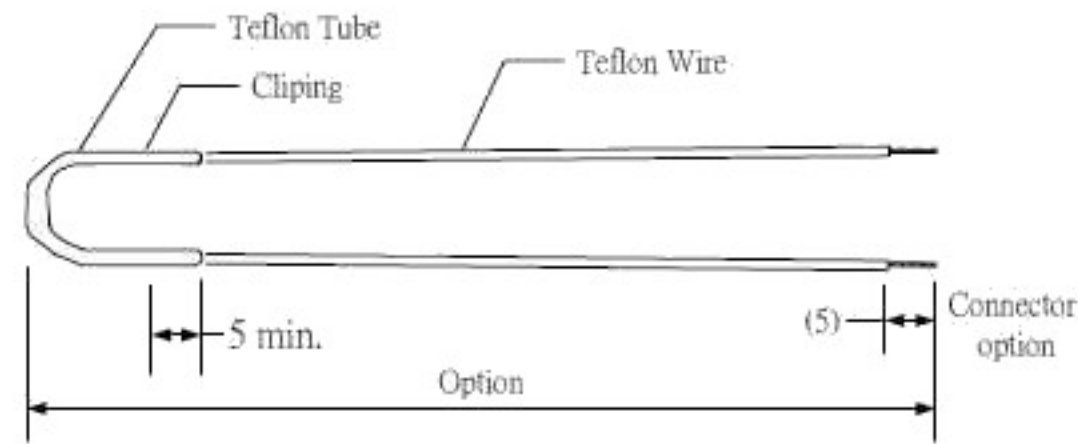
Application :  
Home Baker , Microwave oven  
Operating temp. range :  
-30~ +260°C  
Dissipation constant :  
Approx. 3mW/°C  
Thermal time constant :  
Approx. 10 sec  
Withstand voltage :  
1000V AC for 1 min



Application :  
Home Baker , Microwave oven  
Operating temp. range :  
-30~ +260°C  
Dissipation constant :  
Approx. 3mW/°C  
Thermal time constant :  
Approx. 10 sec  
Withstand voltage :  
1000V AC for 1 min



OV-M-U-01



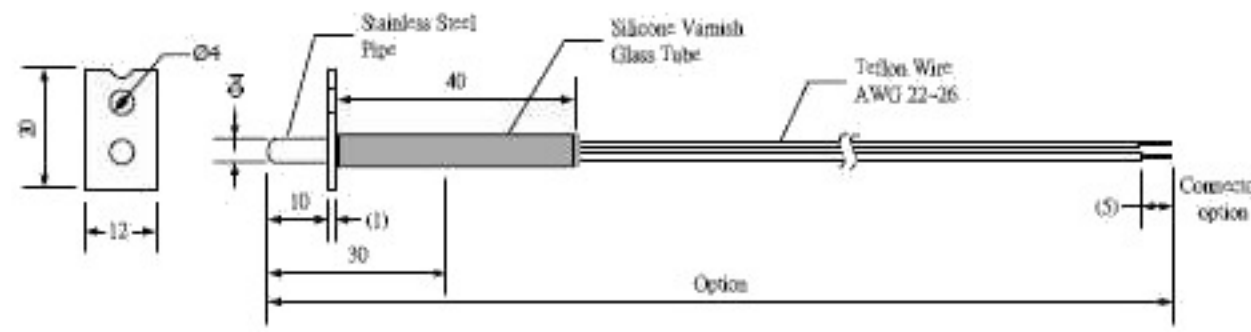
\* Application :

Home Baker , Rice Cooker...

Operating temp. range	-30~+260°C
Dissipation constant	Approx. 2.5mW/°C
Thermal time constant	Approx. 5 sec.
Withstand voltage	1000V AC for 1 min.



OV-M-X-01



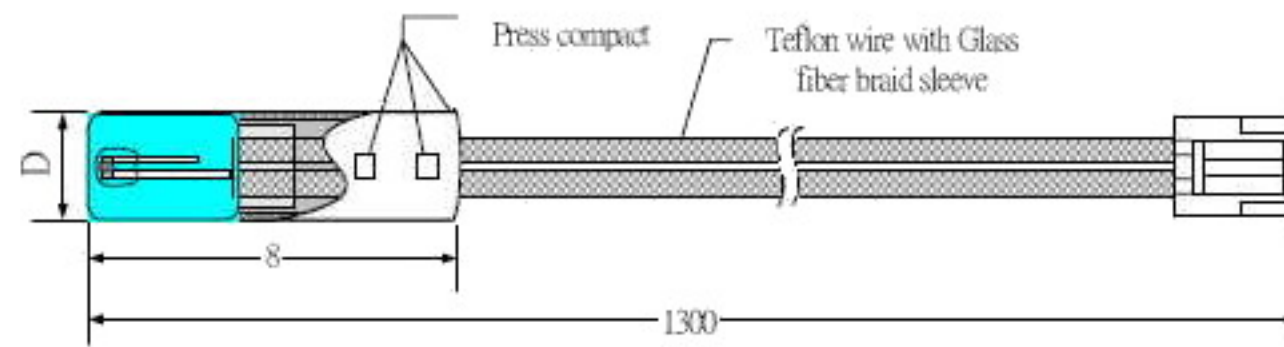
\* Application :

Home Baker , Microwave oven...

Operating temp. range	-30~+260°C
Dissipation constant	Approx. 3mW/°C
Thermal time constant	Approx. 10 sec.
Withstand voltage	1000V AC for 1 min.



OV-M-T-01



\* Application :

Home Baker , Microwave oven...

Operating temp. range	-30~+260°C
Dissipation constant	Approx. 3mW/°C
Thermal time constant	Approx. 10 sec.
Withstand voltage	1000V AC for 1 min.