

## SPECIFICATIONS

**RATING:** 1A 125VAC / 250VAC

**CONTACT RESISTANCE:** 30 mΩ max.

**INSULATION RESISTANCE:** DC 500V 100 MΩ min.

**DIELECTRIC STRENGTH:** AC 1000V 1 MINUTE.

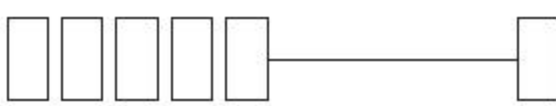
**ELECTRICAL LIFE:** 5,000 cycles Min.

**MECHANICAL LIFE:** 10,000 cycles Min.

**TERMINAL MATERIAL:** Copper, alloy, (silver or gold), plated.

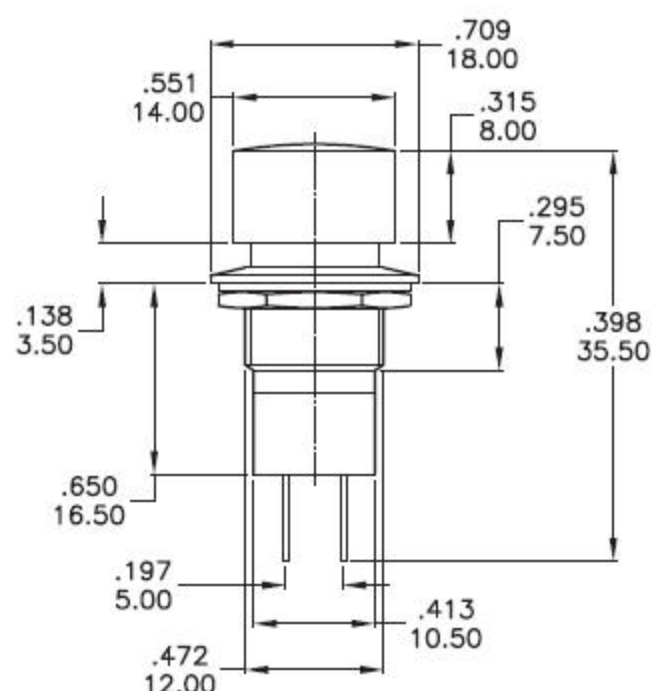
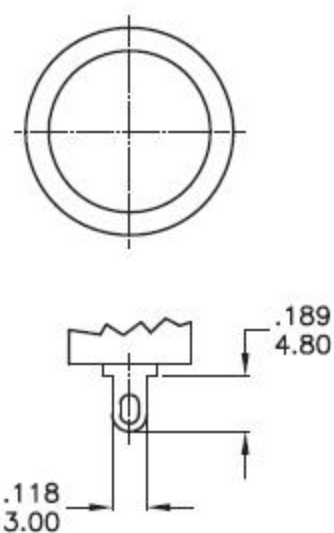
**PUSH FORCE:** >0.3kg

## HOW TO ORDER

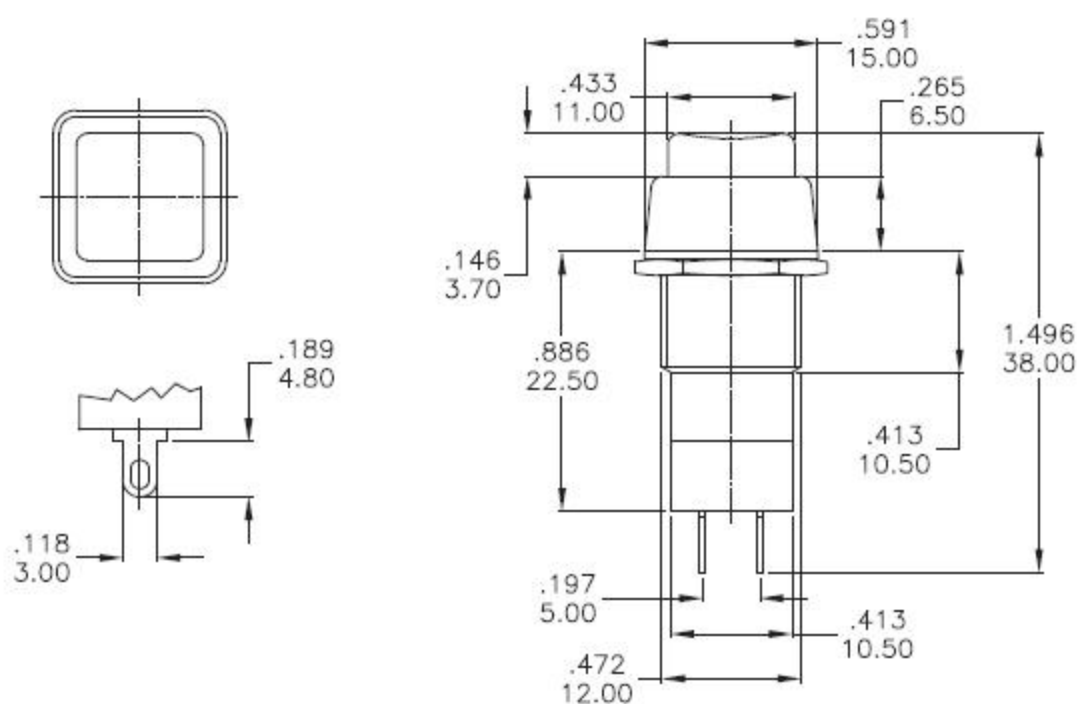
Model No.	Cap Color
	
PS21A	OFF-ON
PS21B	OFF-(ON) 1 (White)
PS21C	ON-(OFF) 2 (Black)
PS23A	OFF-ON 3 (Red Std.)
PS23B	OFF-(ON) 4 (Orange)
PS23C	ON-(OFF) 5 (Yellow)
PS24A	OFF-ON 6 (Green)
PS24B	OFF-(ON) 7 (Blue)
PS25A	OFF-ON 8 (Brown)
PS25B	OFF-(ON) 9 (Gray)
PS25C	ON-(OFF)
PS26A	OFF-ON
PS26B	OFF-(ON)
PS27A	OFF-(ON)
PS27B	ON-(OFF)
PS28A	OFF-(ON)
PS28B	OFF-(ON)
PS29A	OFF-(ON)
PS29B	ON-(OFF)
PS29C	OFF-ON
PS32A	OFF-ON
PS32B	OFF-(ON)



PS21

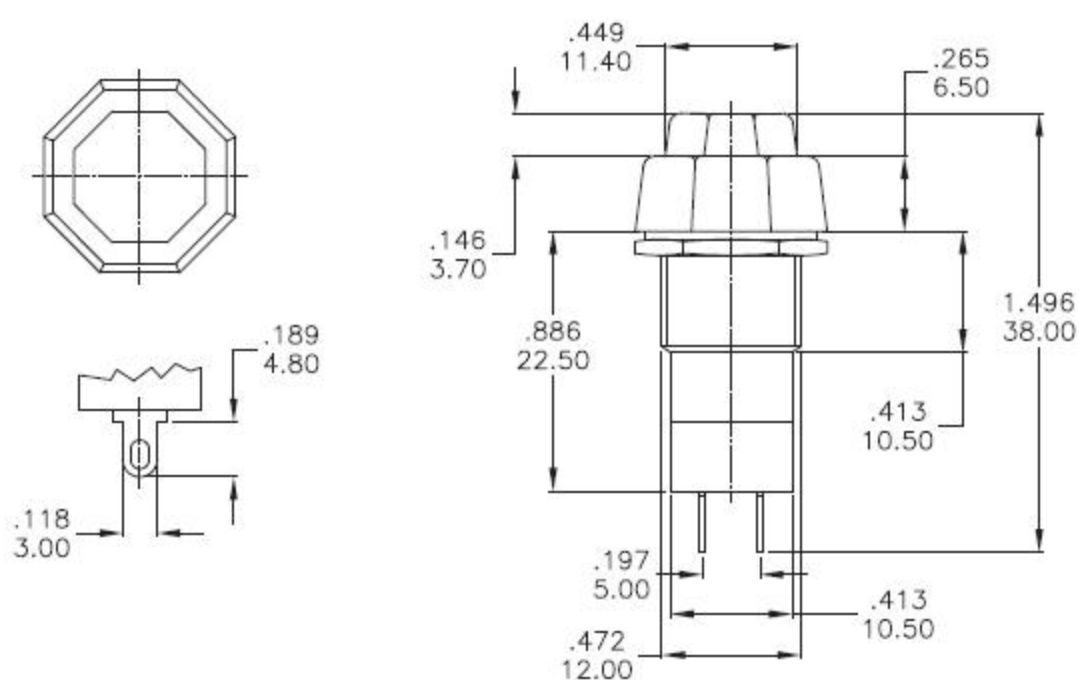


Model No.	TYPE
PS21A	OFF-ON (LOCK)
PS21B	OFF-(ON)
PS21C	ON-(OFF)



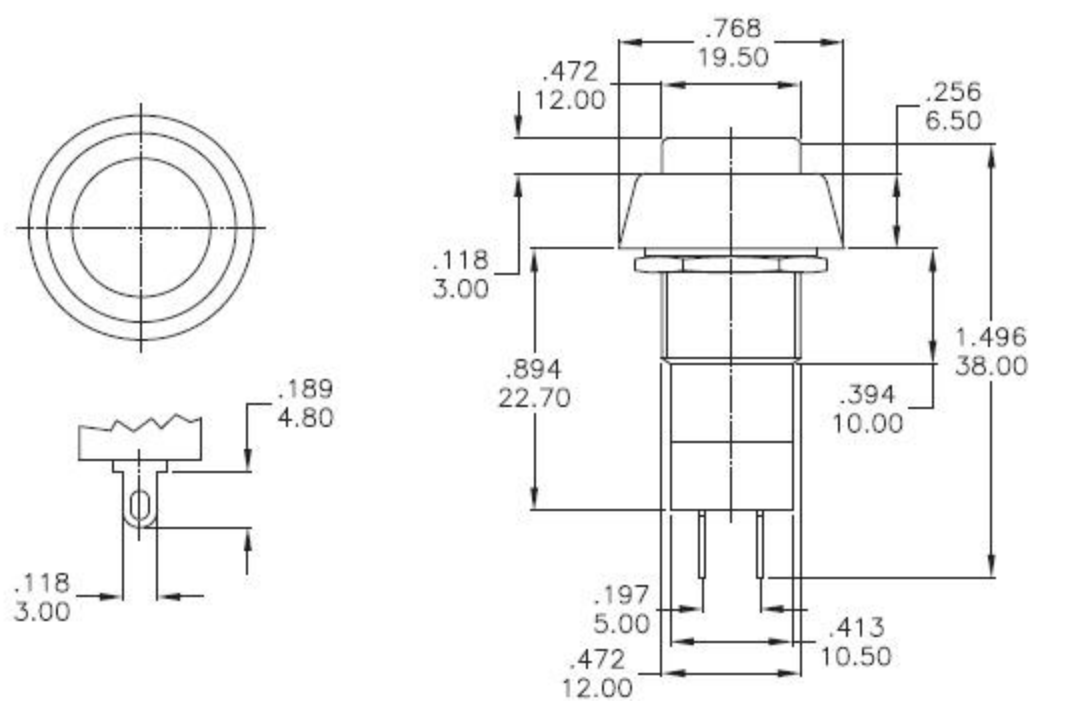
Model No.	TYPE
PS23A	OFF-ON (LOCK)
PS23B	OFF-(ON)
PS23C	ON-(OFF)

PS23



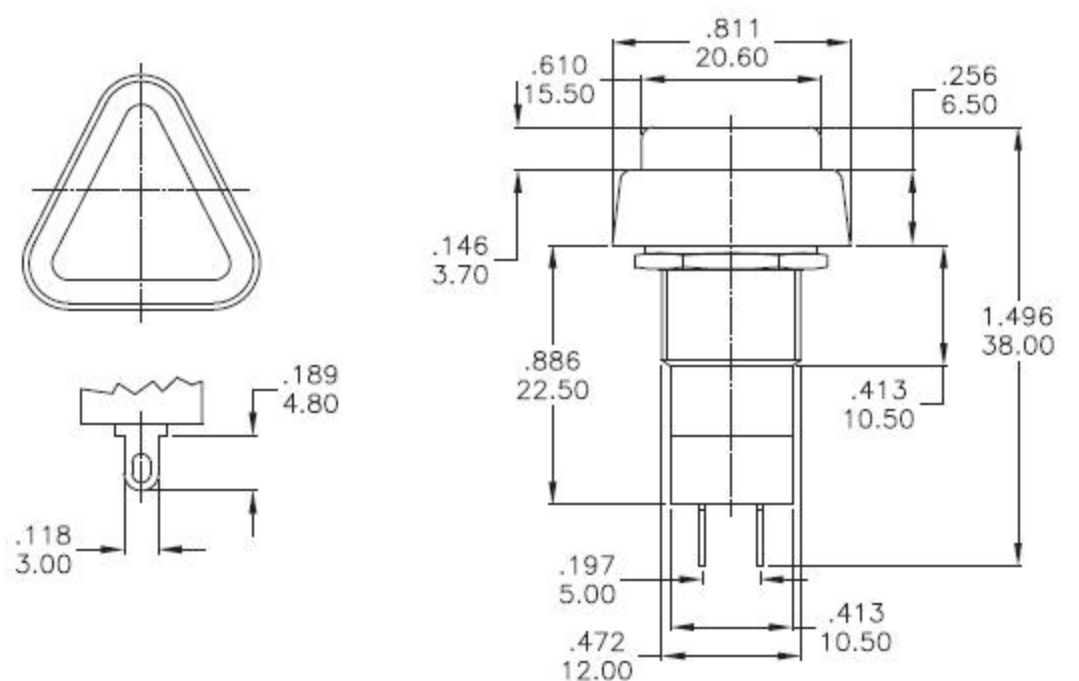
Model No.	TYPE
PS24A	OFF-ON (LOCK)
PS24B	OFF-(ON)

PS24



Model No.	TYPE
PS25A	OFF-ON (LOCK)
PS25B	OFF-(ON)
PS25C	ON-(OFF)

PS25



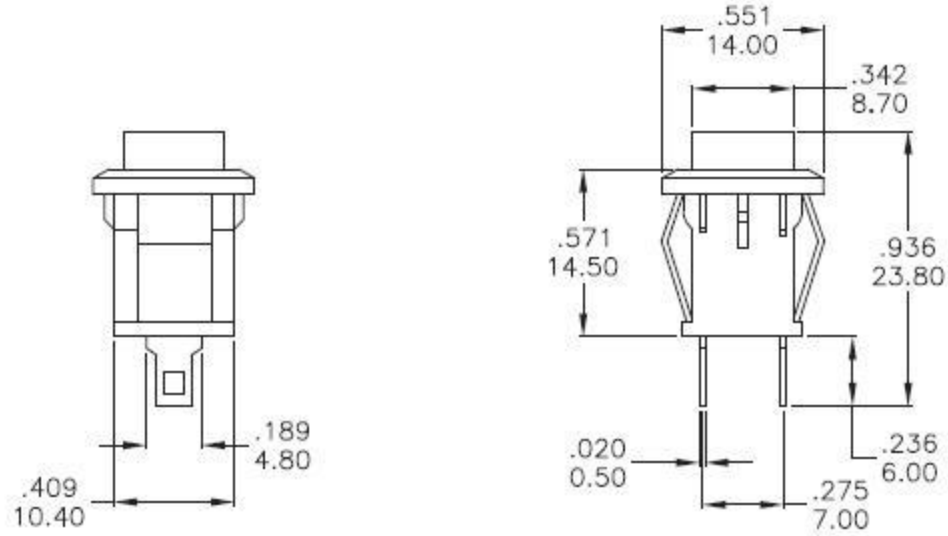
Model No.	TYPE
PS26A	OFF-ON (LOCK)
PS26B	OFF-(ON)

PS26





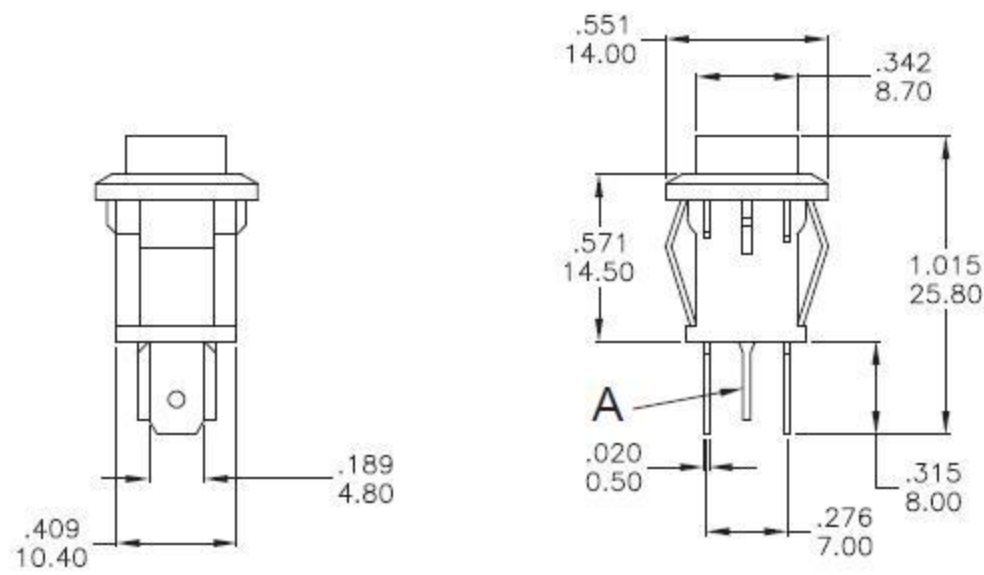
PS27



Model No.	TYPE
PS27A	OFF-(ON)
PS27B	ON-(OFF)



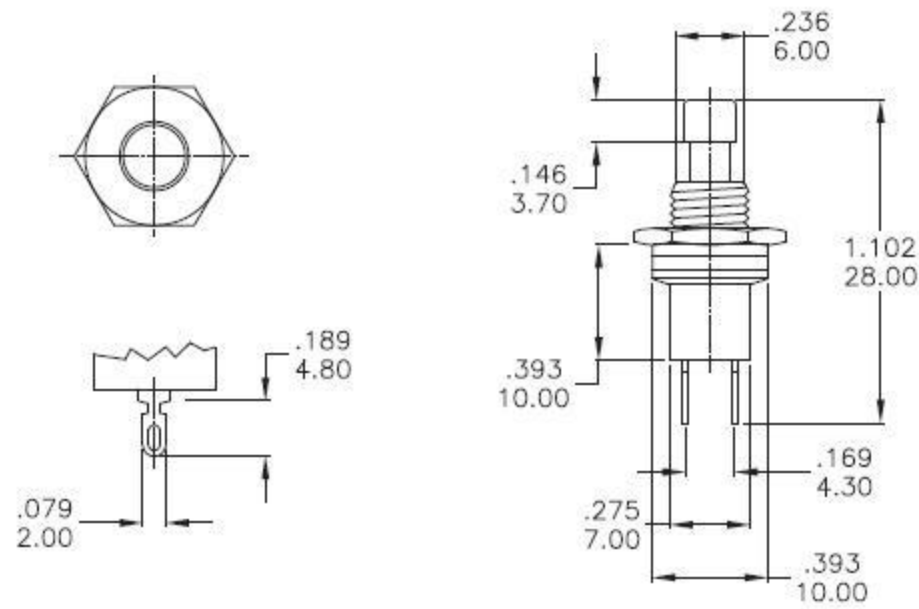
PS28



Model No.	TYPE	A
PS28A	OFF-(ON)	X
PS28B	OFF-(ON)	V



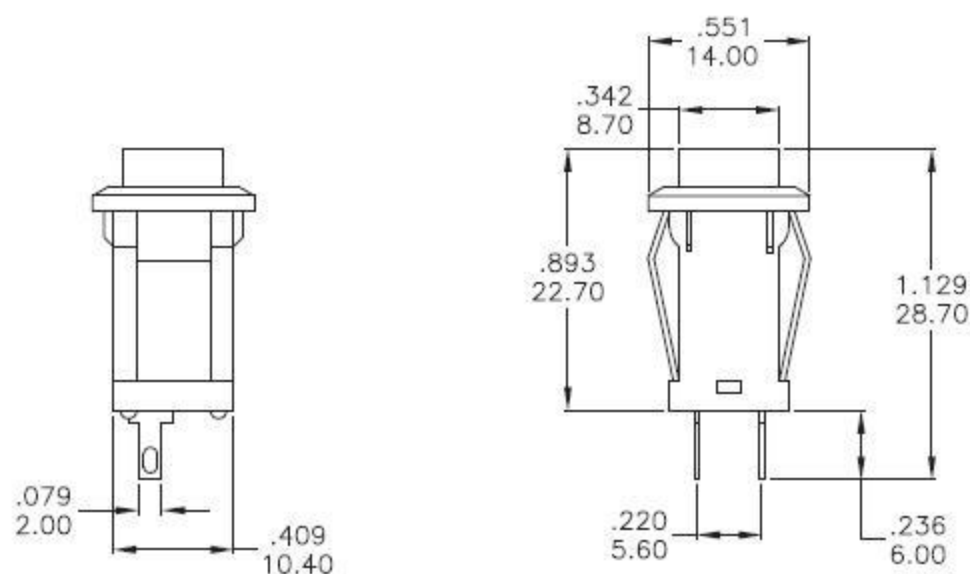
PS29



Model No.	TYPE
PS29A	OFF-(ON)
PS29B	ON-(OFF)
PS29C	OFF-NO (LOCK)



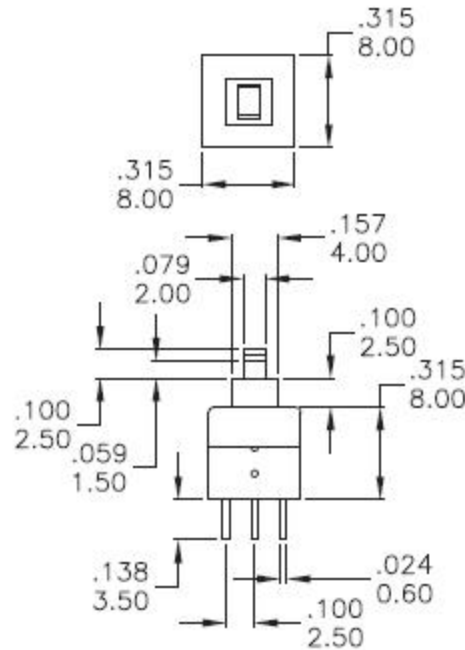
PS32

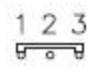
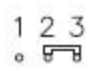
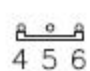



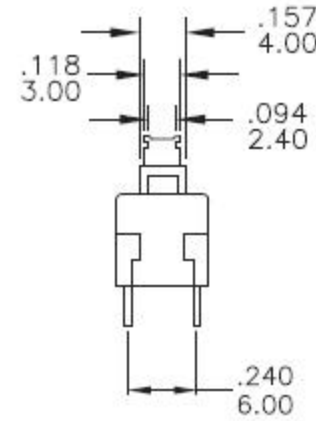
Model No.	TYPE
PS32A	OFF-ON (LOCK)
PS32B	OFF-(ON)



BS800



Model No.	Function	Free	Push
BS800N	OFF-MOM		
BS800L	OFF-ON (LOCK)		

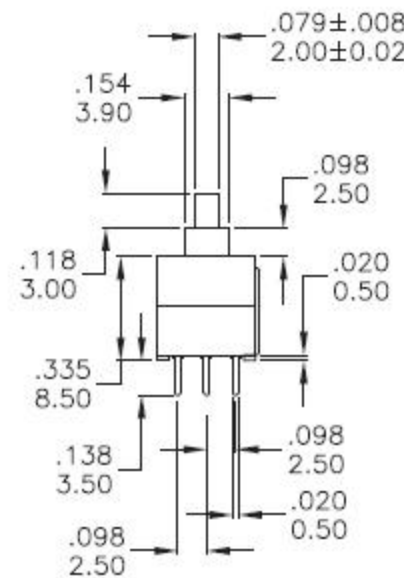
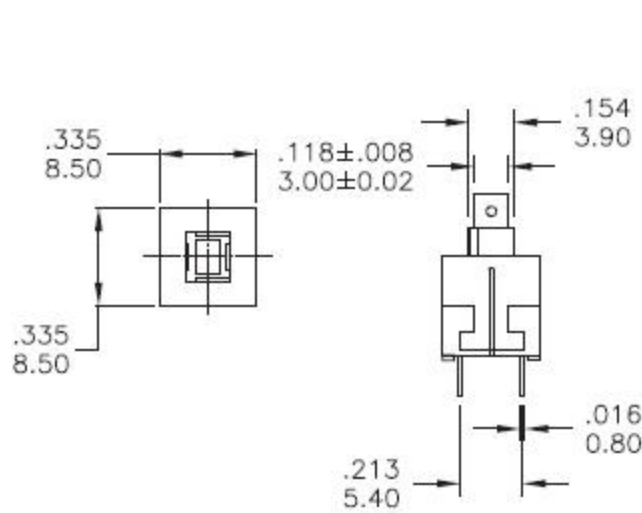


### SPECIFICATION

- Rating : DC 30V 0.1A
- Circuit : 2C-2P
- Timing : Non-shoreing or S-Shoreing
- Operating Mode : Self Lock  
Non-Lock
- Travel : Full 2.5  
Lock 1.5
- Operating Force : 160 ± 80gf



BS850

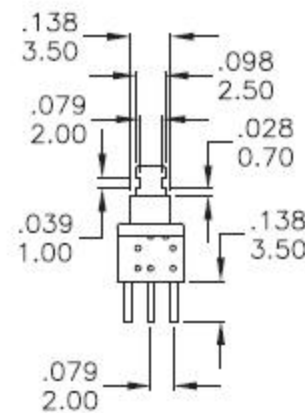
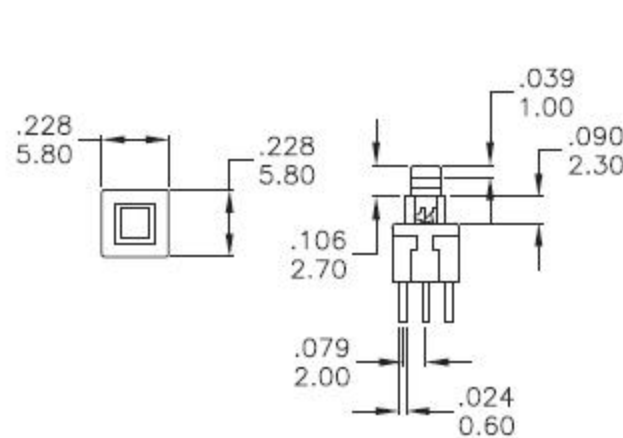


### SPECIFICATION

- Rating : DC 30V 0.3A
- Circuit : 2C-2P
- Timing : Non-shoreing or S-Shoreing
- Operating Mode : Self Lock  
Non-Lock
- Travel : Full 2.5  
Lock 1.5
- Operating Force : 200 ± 80gf



PS580L

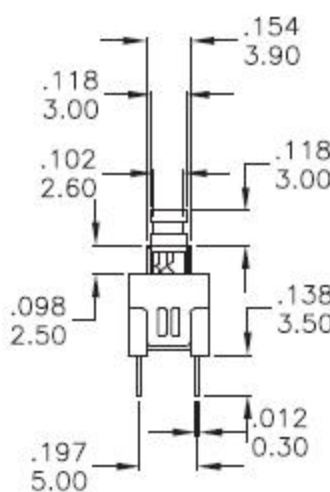
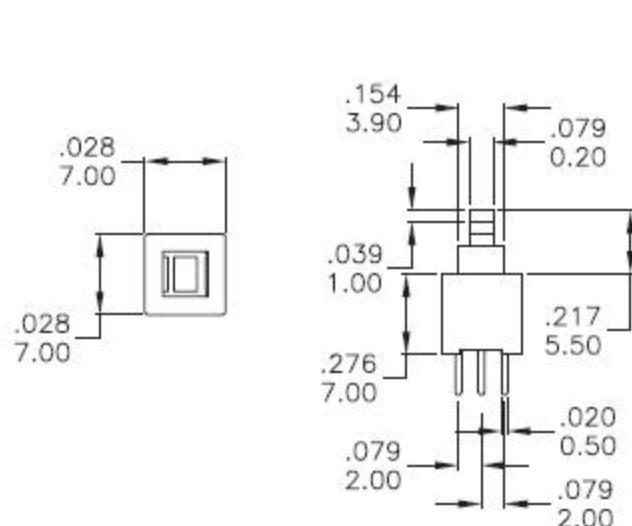


### SPECIFICATION

- Rating : DC 12V 0.1A
- Circuit : 2C-2P
- Timing : Non-shoreing or S-Shoreing
- Terminal : p.c.board terminal
- Operating Mode : Non-Lock
- Travel : Lock 1.8  
Lock 1.0
- Operating Force : 150 ± 80gf



PS701

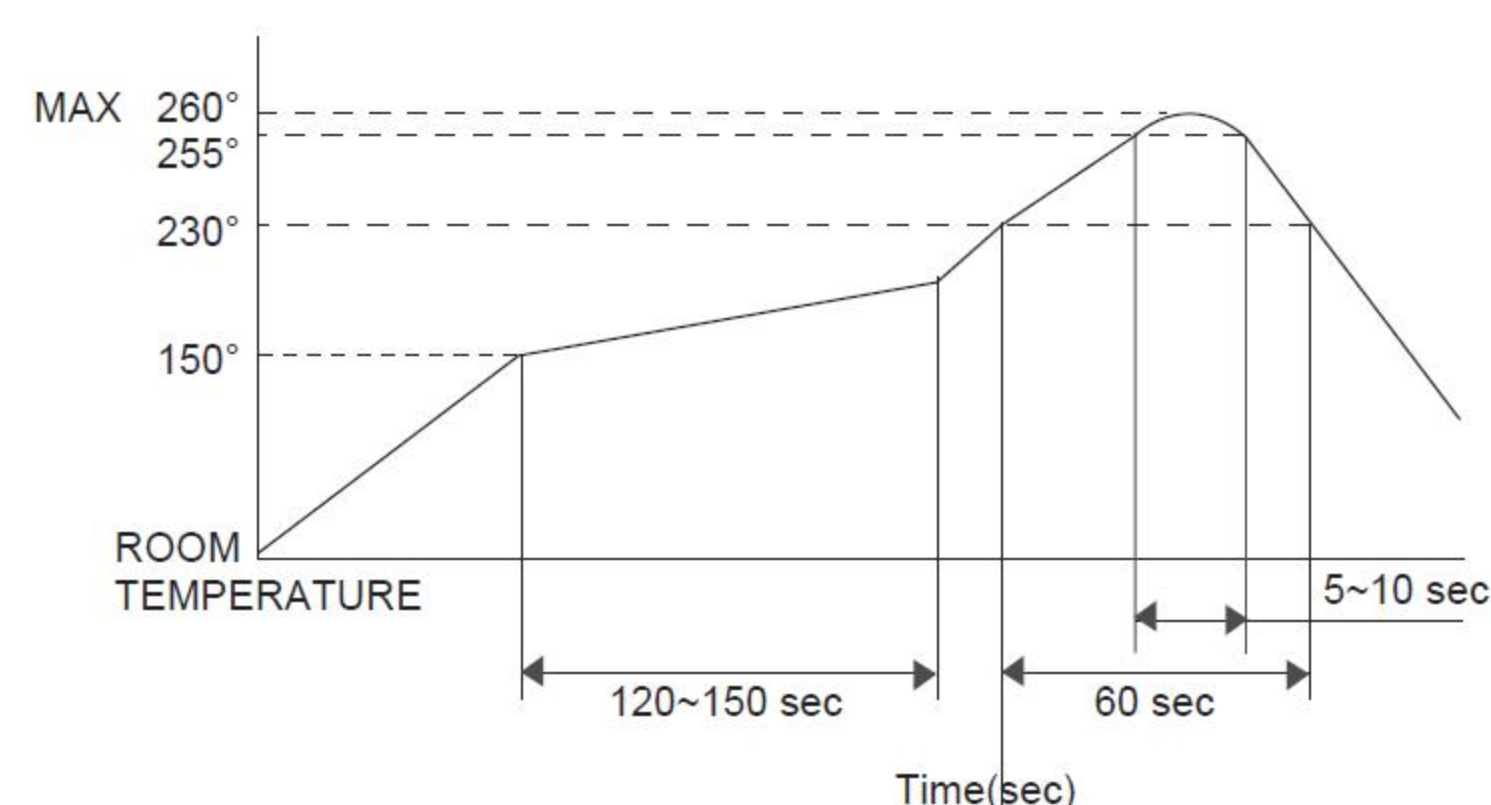


### SPECIFICATION

- Rating : DC 30V 0.1A
- Circuit : 2C-2P
- Timing : Non-shoreing or S-Shoreing
- Operating Mode : Self Lock  
Non-Lock
- Travel : Full 1.8  
Lock 1
- Operating Force : 150 ± 80gf



**LEAD - FREE SOLDERING CONDITION**

ITEM	LEAD - FREE SOLDERING CONDITION
HAND SOLDERING	350°C±10°C / 5 sec max.
WAVE SOLDERING	Pre - Heat 100°C/60 sec    260°C±5°C / 5 sec
REFLOW SOLDERING	 <p>The graph shows a reflow soldering temperature profile. The y-axis is temperature in degrees Celsius, with markers at ROOM TEMPERATURE, 150°, 230°, 255°, and MAX 260°. The x-axis is Time in seconds. The profile starts at ROOM TEMPERATURE, rises to 150°C, then continues to rise to a peak of 260°C. A horizontal dashed line is drawn at 230°C. The time from the start of the 150°C ramp to the end of the 230°C ramp is 120~150 sec. The time from the start of the 230°C ramp to the end of the 230°C ramp is 60 sec. The time from the start of the 230°C ramp to the end of the 260°C peak is 5~10 sec.</p>

**RoHS COMPLIANT**

- The limit value that we declare.  
 Pb<100 ppm  
 Cd<75 ppm  
 Hg<2 ppm  
 Cr6<2 ppm  
 PBB<0 ppm  
 PBDE<0 ppm
- Start from jan 2005.



**紘緯科技股份有限公司**  
**Honest-Well Co., Ltd.**

新北市新店區中正路560巷4號4樓; Zip : 23148

4F., No.4, Ln. 560, Zhongzheng Rd., Xindian Dist., New Taipei City 23148, Taiwan

TEL:886-2-2219-0080 ; FAX:886-2-2219-2508

<http://www.honest-well.com.tw>