



**Feature**

- LED illumination, Two color available
- Snap in Panel Mount installation
- Single pole/Single throw, Momentary

**Applications**

- Automotive Industry
- Office appliance
- Computer Products
- Communication Equipments

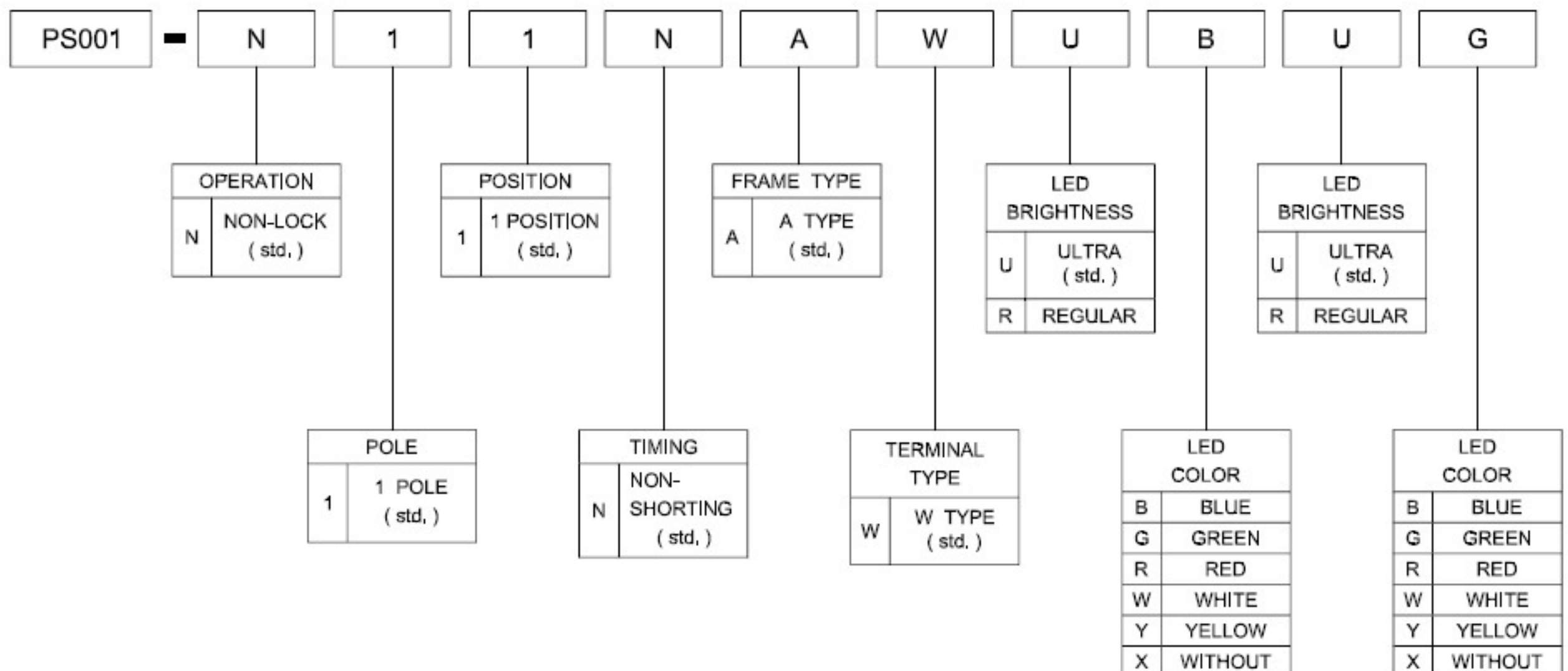
**SPECIFICATIONS**

SWITCH SPECIFICATIONS	
POLE - POSITION	Momentary Type , SPST with LED
CONTACT RATING	30 V DC , 0,1 A
CONTACT RESISTANCE	50 mΩ max . 1.5 V DC ; 100 mA , by Method of Voltage DROP
INSULATION RESISTANCE	100 MΩ mln . 500 V DC
DIELECTRIC STRENGTH	Breakdown Is not Allowable ; 500 V AC for 1 Minute
OPERATING FORCE	250 ± 100 gf
OPERATING LIFE	10,000 cycles
OPERATING TEMPERATURE RANGE	-40°C ~ 85°C
TOTAL TRAVEL	1,8 ± 0,3 mm

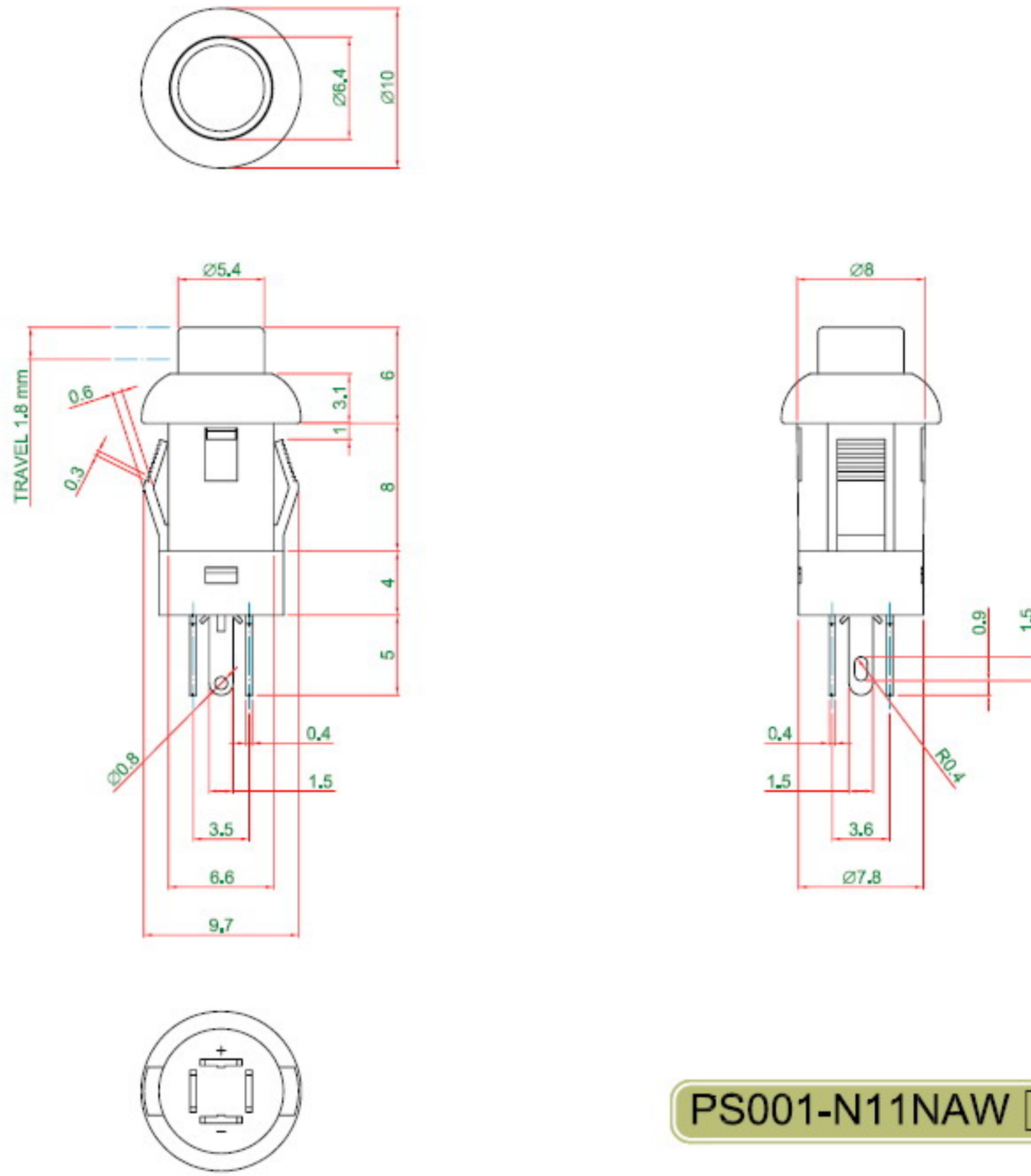
LED SPECIFICATIONS		Unit	Value / LED Color				
ATTENTION LEDs are Electrostatic Sensitive devices	Symbol		Blue	Green	Red	White	Yellow
		FORWARD CURRENT	$I_f$	mA	30	30	30
REVERSE VOLTAGE	$V_r$	V	5.0	5.0	5.0	5.0	5.0
REVERSE CURRENT	$I_r$	μA	50	10	10	10	10
FORWARD VOLTAGE@20mA	$V_f$	V	@4mA 2,5-3,5	1,7-2,6	2,0-2,5	3,3-3,8	2,2-2,7
LUMINOUS INTENSITY@20mA	$I_v$	mcd	@4mA 160	65-120	100	145	200

• Physical and electrical information of LED will be provided upon customer's request on switches.

**HOW TO ORDER**

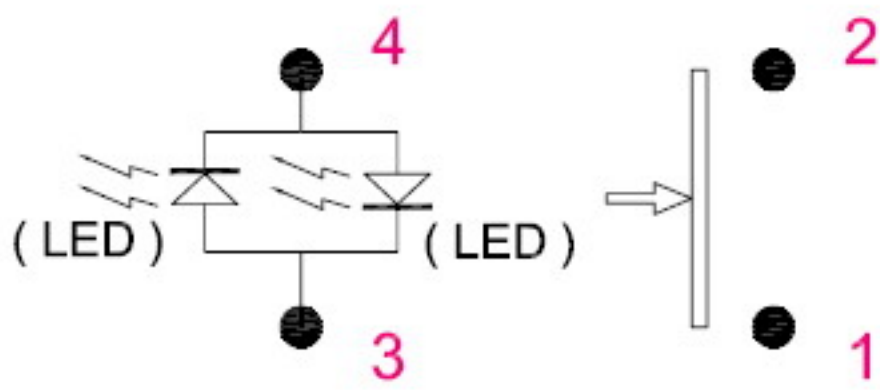


## DIMENSION



PS001-N11NAW

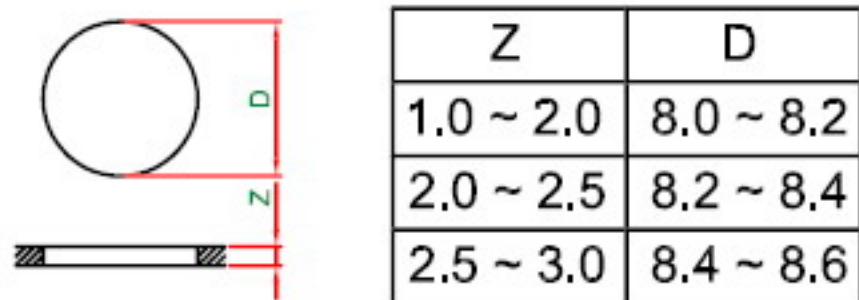
## LED CIRCUIT DIAGRAM



## MATERIAL

- COVER - PA + GF
- ACTUATOR - PC
- BASE FRAME - PA + GF
- TERMINAL - BRASS GOLD FLASH

## PANEL CUT OUT



## UNIT WEIGHT

- PS001 -  $1.2 \pm 0.05$  g / pcs