



## SPECIFICATION

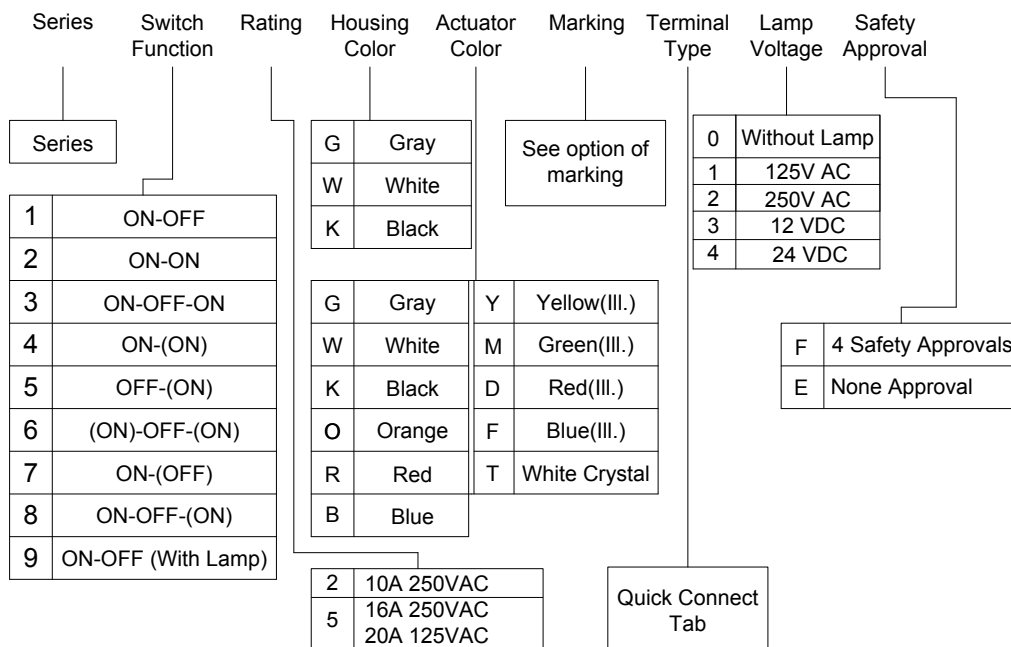
- Electrical Rating : 20A 125VAC/16A 250VAC(UL)  
10A/15A/16A 250VAC(VDE)  
10A 250VAC(UL)
- Mechanical life: Over 30000 cycles
- Electrical life: Over 10000 cycles
- Contact resistance: <20mΩ
- Insulation resistance: >1000MΩ
- High voltage resistance: >1500V 1 min.
- Ambient temperature: Terminal side -20 to +85°C  
Actuating side -20 to +55°C
- Storage temperature: -30 to +80°C Max
- Atmospheric humidity: Max.85%
- Actuating force: 4~8N(depends on different switch function)
- Flammability: UL94 V-2
- Temperature rise at the terminal: Max 30°C (UL1054)
- Solder ability of terminal: Max 350°C , 3s

## MATERIALS

- Housing: Nylon 66
- Rocker: PC & PA66
- Contacts: Silver Alloy
- Terminal: Brass Silver Plated
- Lamp: Neon Lamp, Tungsten Lamp
- Spring: SWP, SUS
- Movable Arm: Brass Silver Plated


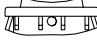

## HOW TO ORDER

**R5 1 5 K K E T O F A**

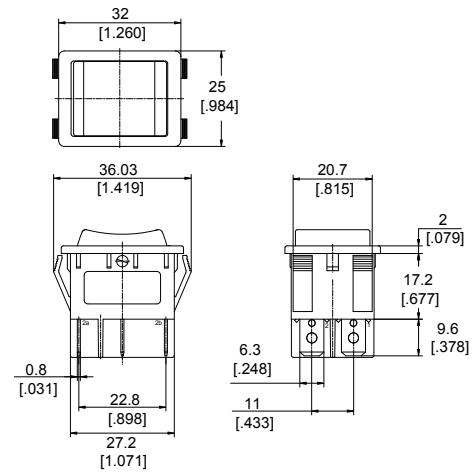


R5/32/62/82  
10A 250VAC (UL)

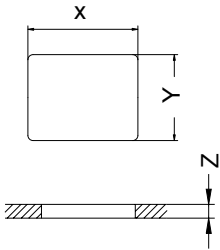
## Option of switch function

Item NO	POLES & THROWS	Rocker position ( ):Momentary		
		Left	Center	Right
				
R51	DPST	ON	None	OFF
R52	DPDT	ON	None	ON
R53	DPDT	ON	OFF	ON
R54	DPDT	ON	None	(ON)
R55	DPST	OFF	None	(ON)
R56	DPDT	(ON)	OFF	(ON)
R57	DPST	ON	None	(OFF)
R58	DPDT	ON	OFF	(ON)
R59	DPST (WITHLAMP)	ON	None	OFF

## Dimension



## Panel cut out



Z	Y	X
0.70~1.25	22.20~22.30	30.0~30.20
1.25~2.00	22.20~22.30	30.2~30.40
2.00~3.00	22.20~22.30	30.6~30.80

## Circuits for switch with lamp

- For circuits of 250V AC or 125V AC
- For circuits of 24V DC or 12V DC

