

## Sealed tilt switch

### NEW PRODUCT INTRODUCTION

- R511, R511L vibration switch are sensitive triggering switches, made from environmental protection materials. The switch features are sealed, dust proof, water proof with a small action angle and long operation life. They're recommended to use in low voltage and low current. The switches are with patent protection.

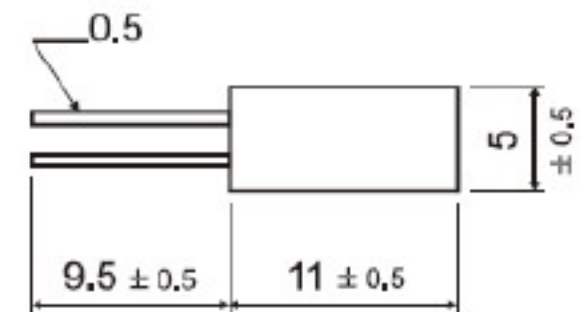
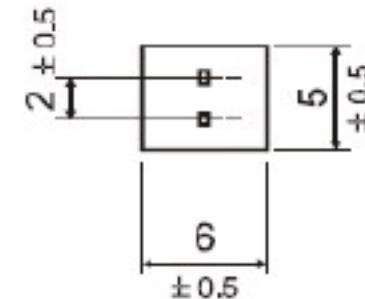
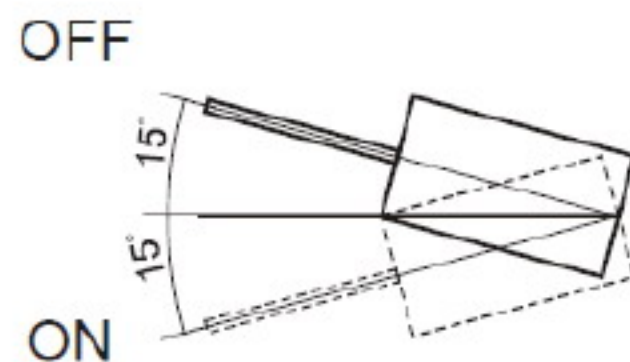
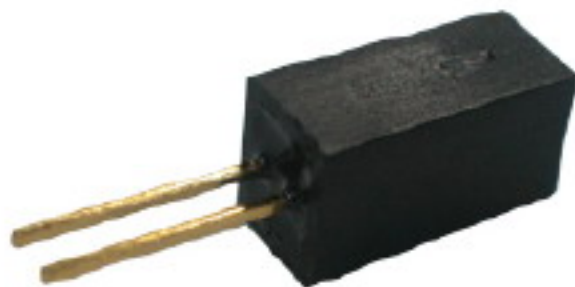
### APPLICATION

- Game machines and toys, Security systems, Electrical and electronic products, Personal security alarms, Vibration sensors, Car alarms.

### SPECIFICATION

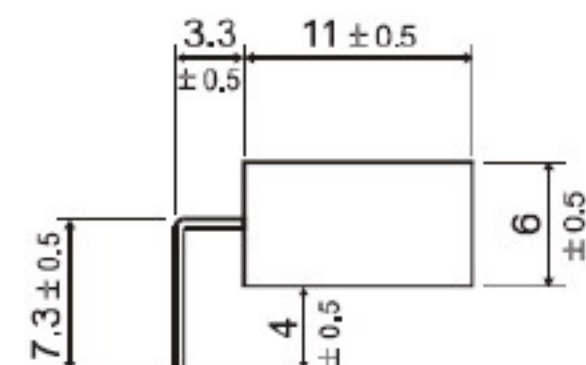
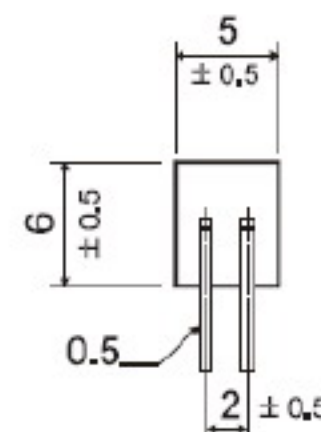
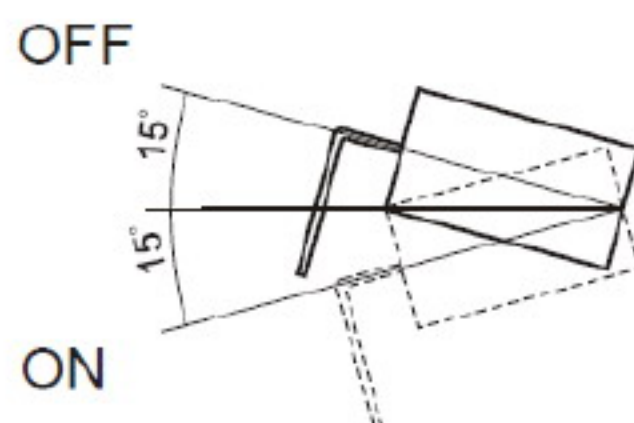
- Maximum Switch Rating : 24VDC, 6mA
- Electrical Life : 200,000 cycles Min.
- Contact Resistance : 0.5Ω Max.
- Differential Angle : 15° Max.
- Solder Temperature : Manual soldering 350℃, 3~5 seconds.
- Operating Temperature : -40℃~+85℃

#### R511



Unit : mm

#### R511L



Unit : mm