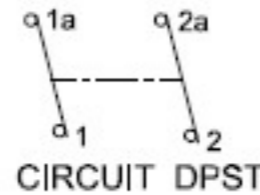
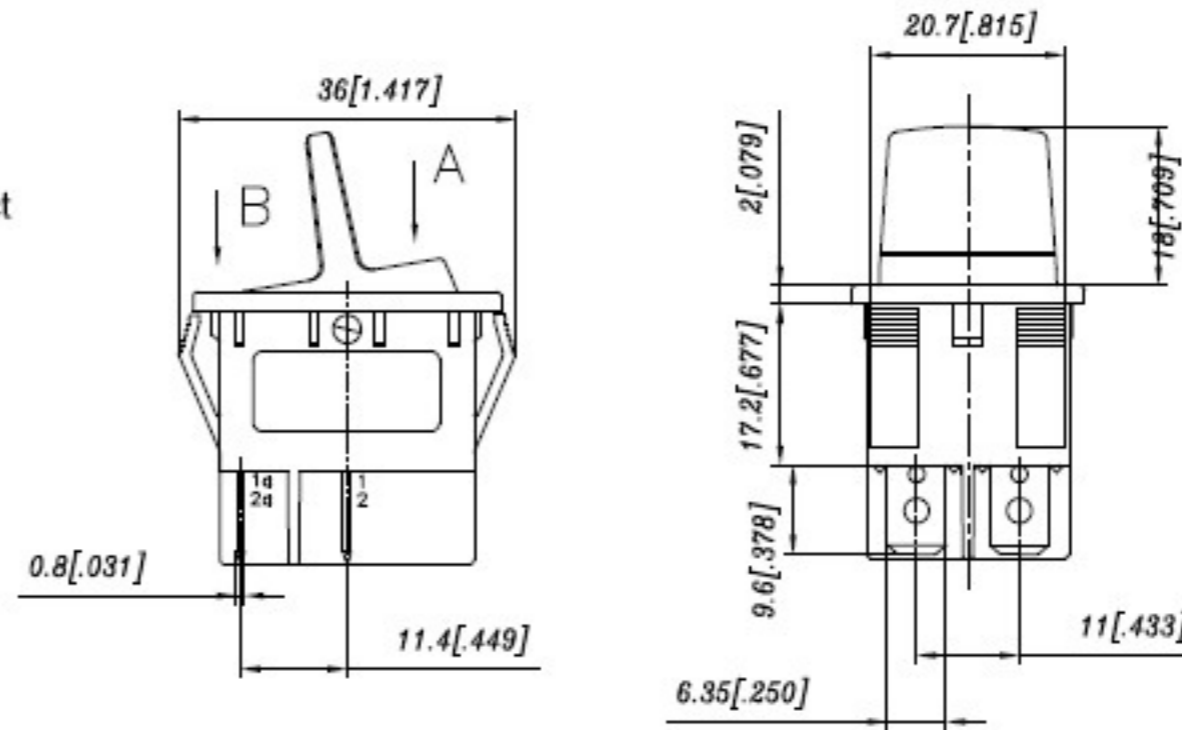
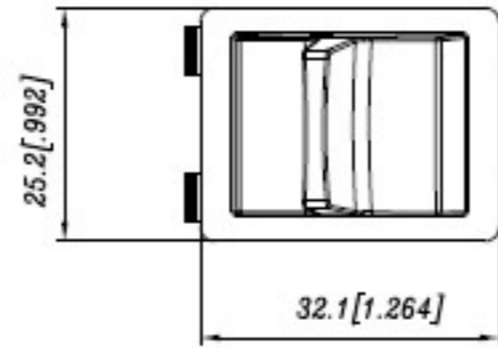


- 1、All dimensions in mm [Inch]
- 2、General tolerance : $>10\pm 0.4$
 $<10\pm 0.25$
- 3、Electrical rating : 16A 250VAC & 20A 125VAC(UL) & 16A 250VAC(VDE)
- 4、Contact resistance : $<20\text{m}\Omega$ (Initial)
- 5、Insulation resistance : $>1000\text{M}\Omega$ (500VDC between open contacts)
- 6、Dielectric strength : $>1500\text{V}$ 1 minute
- 7、Mechanical life : >30000 cycles
- 8、Electrical life : >10000 cycles
- 9、Temperature rise at the terminal : Max.30°C
- 10、Solder ability of terminal : Max350°C,3S(no pressure may be placed in the terminals when soldering by hand)
- 11、Any Cd Pb Hg etc and it's compounds is not include in this product
- 12、Inrush current: 140A
- 13、Ambient temperature : 10T85
- 14、Ambient humidity : Max.85%
- 15、Degree of protection : IP20
- 16、Applicability for appliance of class : class II
- 17、Proof tracking resistance index(PTI) : 175
- 18、Degree of pollution : normal

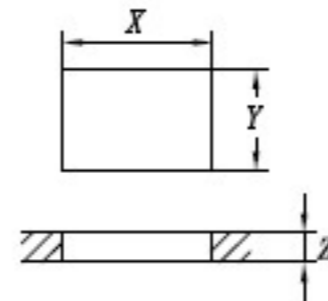


Color	Housing	Actuator
K(Black)	✓	✓
W(White)		
R(Red)		
G(Gray)		
O(Orange)		
B(Blue)		
Y(III. Yellow)		
M(III. Green)		
F(III. Blue)		
T(III. White)		
D(III. Red)		

():momentary

POLE FUNCTION	OPTIONS OF FUNCTION		
	(A)	—	B
DPST	1-1a 2-2a	—	OFF

PANEL CUT-OUT		
Z	Y	X
0.7~1.25 [.028~.049]	22.1~22.2 [.870~.874]	30.0~30.2 [1.181~1.189]
1.25~2.0 [.049~.079]	22.1~22.2 [.870~.874]	30.2~30.4 [1.189~1.197]
2.0~3.0 [.079~.118]	22.1~22.2 [.870~.874]	30.6~30.8 [1.205~1.213]



•	— ○ =	 ○ 	 		 ○	— ○	△ ○ ▽	ON OFF
A	B	C	D	E	F	G	H	I
				✓				

SCALE:0.6:1

Part NO.	R555KKETOFAP	Honest-Well Co., Ltd.				
Dwg. NO.	R555-100831					
Series NO.	R5	Drawing	wuyong	Auditing	zengluhua	
Dwg.Name	Speciflcation	Scale	2:1	Date	07/07/10	Page

* We keep the right to alter the dimension without notice.