



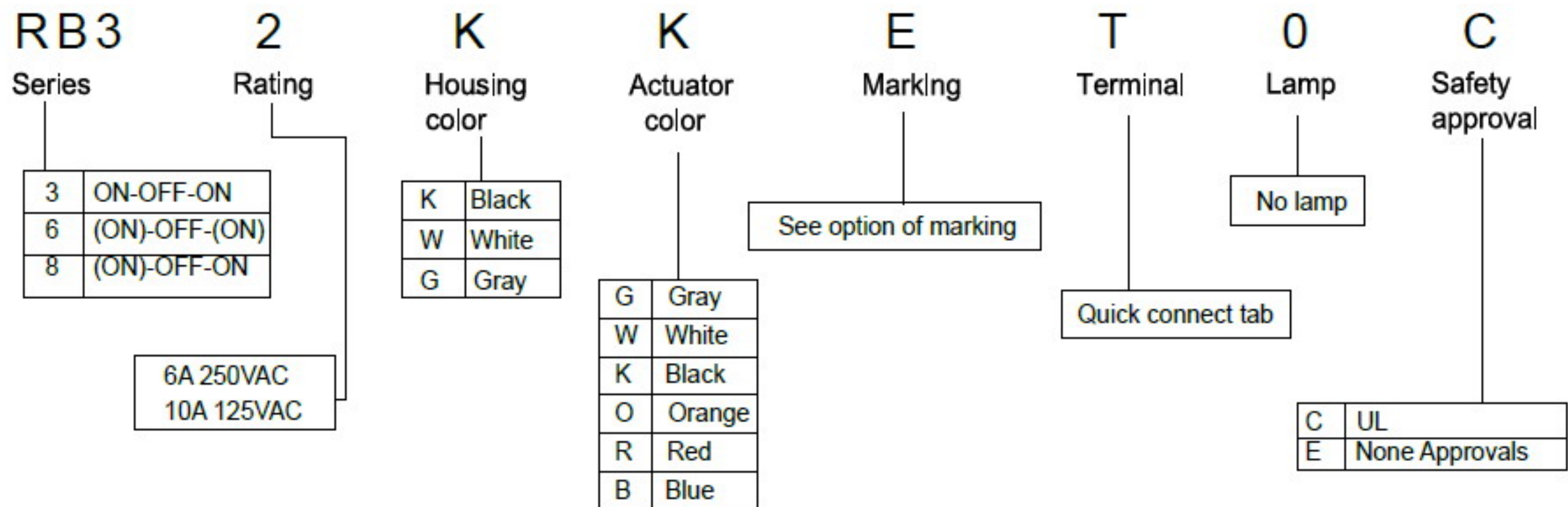
SPECIFICATION

- Electrical Rating : 6A 250VAC/10A 125VAC(UL)
- Mechanical life: Over 30000 cycles
- Electrical life: Over 10000 cycles
- Contact resistance: <math><20\text{m}\Omega</math>
- Insulation resistance: >1000M Ω
- High voltage resistance: >1500V 1 min.
- Ambient temperature: Terminal side -20 to +85°C
Actuating side -20 to +55°C
- Storage temperature: -30 to +80°C Max
- Atmospheric humidity: Max.85%
- Actuating force: 4 to 8N(depends on different switch function)
- Flammability: 94V-2
- Temperature rise at the terminal: Max 30°C (UL1054)
- Solder ability of terminal: Max 350°C, 3s

MATERIALS

- Housing: PA66
- Rocker: PC
- Contacts: Silver Alloy
- Terminal: Copper silver plated
- Spring: SWC
- Movable arm: Copper silver plated

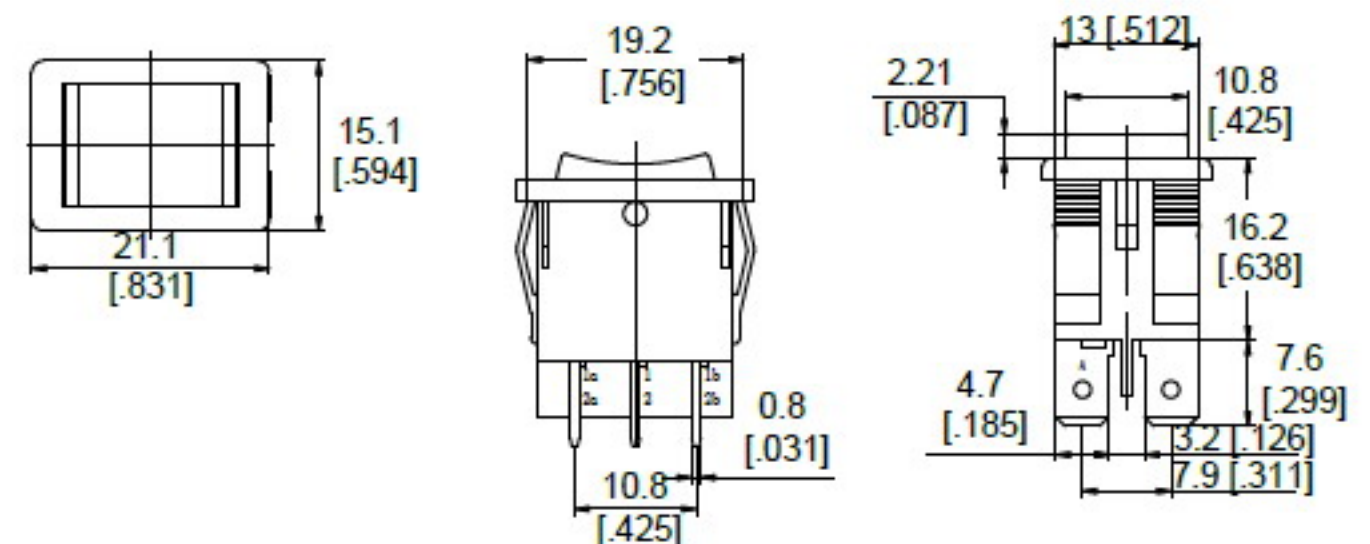
HOW TO ORDER



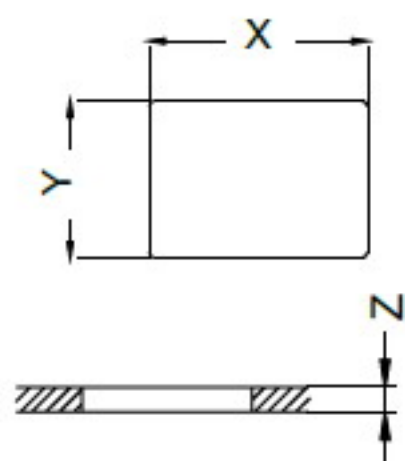
Option of switch function

Item NO	POLES & THROWS	Rocker position ():Momentary		
		Left	Center	Right
RB3	DPDT	ON	OFF	OFF
RB6	DPDT	(ON)	OFF	(ON)
RB8	DPDT	(ON)	OFF	ON

Dimension



Panel cut out



Z	Y	X
0.70~1.25	12.80~12.90	19.20~19.30
1.25~2.00	12.80~12.90	19.30~19.40
2.00~3.00	12.80~12.90	19.50~19.60