



SPECIFICATION

- Electrical Rating : 2A 250VAC/125VAC, 6A 250VAC/10A125VAC (UL) 10A 250VAC/15A 125VAC(UL) 10(4)A 250 VAC (VDE)
- Mechanical life: Over 30000 cycles
- Electrical life: Over 10000 cycles
- Contact resistance: <math><20\text{m}\Omega</math>
- Insulation resistance: >1000M Ω
- High voltage resistance: >1500VAC 1 min.
- Ambient temperature: Terminal side -20 to +85 $^{\circ}\text{C}$ Actuating side- 20 to +55 $^{\circ}\text{C}$
- Atmospheric humidity: Max.85%
- Actuating force: 3 to 6N(depends on different switch function)
- Flammability: UL94V-2 & UL94V-0
- Storage temperature: -30 to +80 $^{\circ}\text{C}$ Max
- Temperature rise at the terminal: 30 $^{\circ}\text{C}$ (UL1054)
- Solder ability of terminal: Max 350 $^{\circ}\text{C}$ 3s

MATERIALS

- Housing: PA 66
- Rocker: PA 66 & PC
- Contacts: Silver alloy
- Terminal: Copper or brass silver plated
- Spring: SWC
- Movable arm: Copper silver plated
- Lamp: Neon lamp, Tungsten lamp, LED
- Bracket: PA66

HOW TO ORDER

ORDERING PROCEDURE (PART I): NON-ILLUMINATED

RC 1 5 K K E T 0 0 B

SERIES	SWITCH FUNCTION	RATING	HOUSING COLOR	ACTUATOR COLOR	MARKING	TERMINAL	LAMP VOLTAGE	SHAPE OF WINDOW	SAFETY APPROVAL
1	ON-OFF		K (BLACK)	○	○	SEE OPTION OF MARKING		0 NO WINDOW	
2	ON-ON		W (WHITE)	○	○			B UL,VDE	
3	ON-OFF-ON		G (GRAY)	○	○			0 NO LAMP	
			O (ORANGE)		○				
			R (RED)		○				
			N (GREEN)		○				
			Y (YELLOW)		○				
			B (BLUE)		○				
			V (VIOLET)		○				
			○ AVAILABLE						
2	6A 250VAC								
	10A 250VAC								
5	15A 125VAC								
	10(4)A 250VAC								
						T	QUICK CONNECT TERMINAL, 4.8mm WIDE, 0.8mm THICK		

HOW TO ORDER

ORDERING PROCEDURE (PART II): ILLUMINATED

RC 9 5 K K D E T 1 L N B

SERIES SWITCH FUNCTION RATING HOUSING COLOR ACTUATOR COLOR COLOR OF WINDOW MARKING TERMINAL LAMP VOLTAGE SHAPE OF WINDOW COLOR OF LAMP SAFETY APPROVAL

9	ON-OFF (LIGHTED)		K (BLACK)	○	○							
			W (WHITE)	○	○		SEE OPTION OF MARKING					
			G (GRAY)	○	○							
			O (ORANGE)		○							
			R (RED)		○							
			N (GREEN)		○							
			Y (YELLOW)		○							
			B (BLUE)		○							
			V (VIOLET)		○							
			D (RED) illu.		○							
			M (GREEN) illu.		○							
			Y (YELLOW) illu.		○							
			F (BLUE) illu.		○							

○ AVAILABLE

E	(NO WINDOW)
D	(RED) illu.
M	(GREEN) illu.
Y	(YELLOW) illu.
F	(BLUE) illu.
T	(TRANSPARENT) illu.

L	ELLIPSE (FOR LED LAMP)
C	ROUND (FOR NEON OR TUNGSTEN LAMP)
E	NO WINDOW (FOR NEON OR TUNGSTEN LAMP)

N	TRANSPARENT NEON LAMP
F	GREEN FLUORESCENT NEON LAMP
B	BLUE FLUORESCENT NEON LAMP
T	TUNGSTEN LAMP
R	RED LED LAMP
M	GREEN LED LAMP
Y	YELLOW LED LAMP

1	NEON LAMP (125VAC)
2	NEON LAMP (250VAC)
3	12VDC TUNGSTEN LAMP
4	24VDC TUNGSTEN LAMP
L	LED

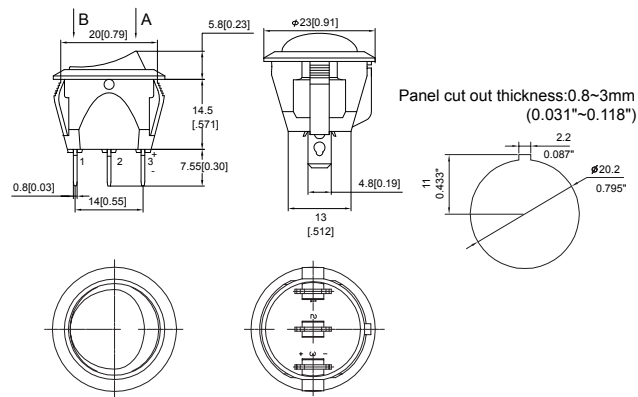
T	QUICK CONNECT TERMINAL, 4.8mm WIDE, 0.8mm THICK
---	---

B	UL, VDE
---	---------

Option of switch function

Item No	POLES & THROWS	Rocker position (): Momentary		
		Left	Center	Right
RC1	SPST	ON	None	OFF
RC2	SPDT	ON	None	ON
RC3	SPDT	ON	OFF	ON
RC9	SPST (With LED)	ON	None	OFF

Dimension & Panel cut out



Lamp Circuit

