

SPECIFICATION

- Electrical Rating : 12A 125VAC/250VAC(UL)
16A 125VAC/250VAC(UL)
16(4)A 250VAC(VDE)
- Mechanical life: Over 30000 cycles
- Electrical life: Over 10000 cycles
- Contact resistance: <math><20m\Omega</math>
- Insulation resistance: >1000M Ω
- High voltage resistance: >1500V 1 min.
- Ambient temperature: Terminal side -20 to +85°C
Actuating side -20 to +55°C
- Storage temperature: -30 to +80°C Max
- Atmospheric humidity: Max.85%
- Actuating force: 4 to 8N
- Flammability: 94V-0
- Temperature rise at the terminal: Max 30°C (UL1054)
- Solder ability of terminal: Max 350°C , 3s

MATERIALS

- Housing: Nylon 66 UL94V-0
- Rocker: Nylon 66 UL94V-0
- Contacts: Copper alloy silver plated
- Terminal: Copper alloy silver plated
- Spring: Piano wire nickel plated
- Movable arm: Copper alloy silver plated
- Roller: Carbon steel nickel plated

HOW TO ORDER

SS24 (B B I W Q - 4 - M 1)

MODEL NO.

ACTUATOR COLOR		HOUSING COLOR	
B	BLACK	W	WHITE
R	RED	E	GREY

RPINTING COLOR	
W	WHITE
B	BLACK
N	NONE

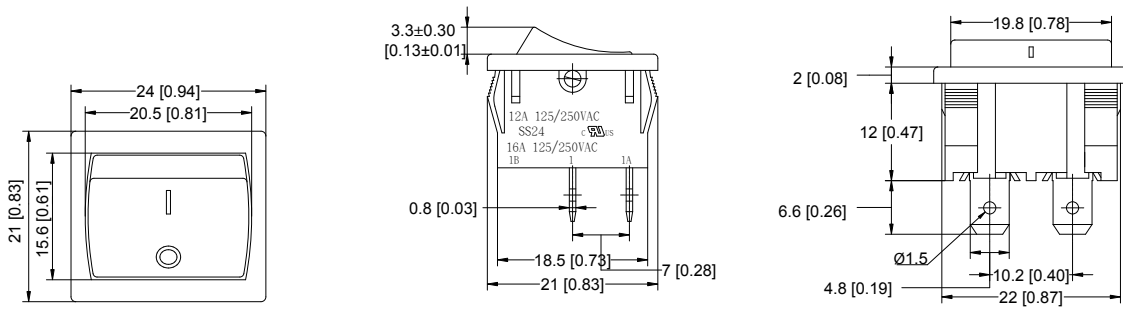
OPERATING CODE	
M1	MOMENTARY (NORMALLY OFF)
M2	MOMENTARY (NORMALLY ON)

PRINTING OPTION			
I		D	
N		O	
T		E	
C			

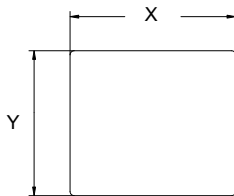
TERMINAL TYPE	
Q	QUICK-CONN.
S	SOLDERING

CURRENT CIRCUIT	
4	DPST
6	DPDT

Dimension

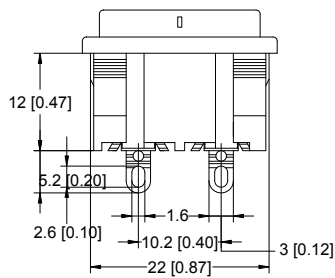


Panel cut out

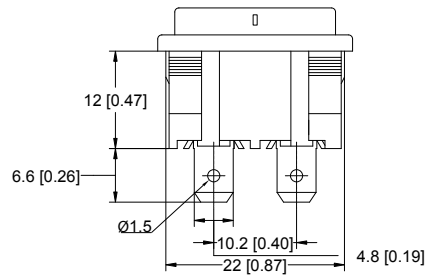


PANEL THICKNESS	Y	X
0.70~1.25mm	21.9~22.0mm	19.1~19.2mm
1.25~2.00mm	21.9~22.0mm	19.3~19.4mm
2.00~3.00mm	21.9~22.0mm	19.7~19.8mm

Terminal Option



SOLDERING TYPE



QUICK CONNECTING TYPE