



**4A-BF2**

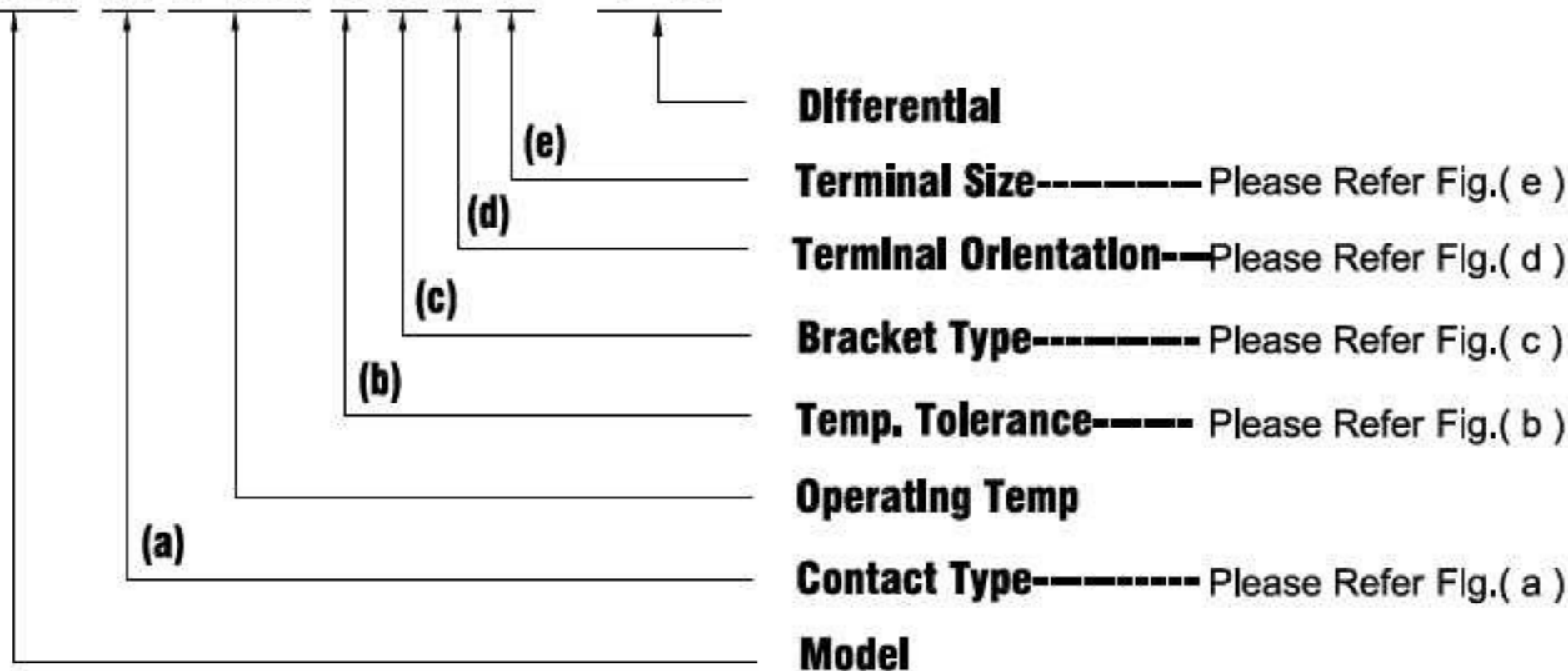
### SPECIFICATION

- Electrical Rating : 15A 125V AC (Resistive Load)  
10A 250V AC (Resistive Load)  
16A 250V AC(Resistive Load)
- Operating Temp : 50 ~ 175°C (UL.CUL 205°C)
- Differential : 10~30K (15K Standard)
- Temp. Tolerance : Operating Temp.±3K±5K
- Heat Durability : 220°C Max.(PPS)
- Circuit Resistance : 50mΩ Max.
- Insulation Resistance : 100MΩ Min.at DC 500V
- Dielectric Strength : AC 1000V for One Minute.  
or AC 1800V for One Second.
- Operating Life : 100000 Cycles (15A 125V/10A 250V AC)  
10000 Cycles (16A 250V AC)
- Weight:5.2g max.

### HOW TO ORDER

#### MODEL CODE (FULL CODE)

**T 24 A 1 1 0 B B F 2 - 1 5**

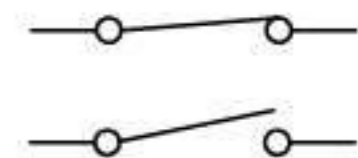


#### (a) CONTACT TYPE :

A = Contact Opens When Temperature Rises to Set Point (Normally Closed)

B = Contact Closes When Temperature Rises to Set Point (Normally Open)

M = Manual Reset



#### (b) TEMP. TOLERANCE : (\*=STANDARD)

Grade	A	*B
Action ± °C	3	5
Reset ± °C	4	8

• The Grade of Temp. Tolerance is "A", When The Operating Temp. is Less Than 105°C.

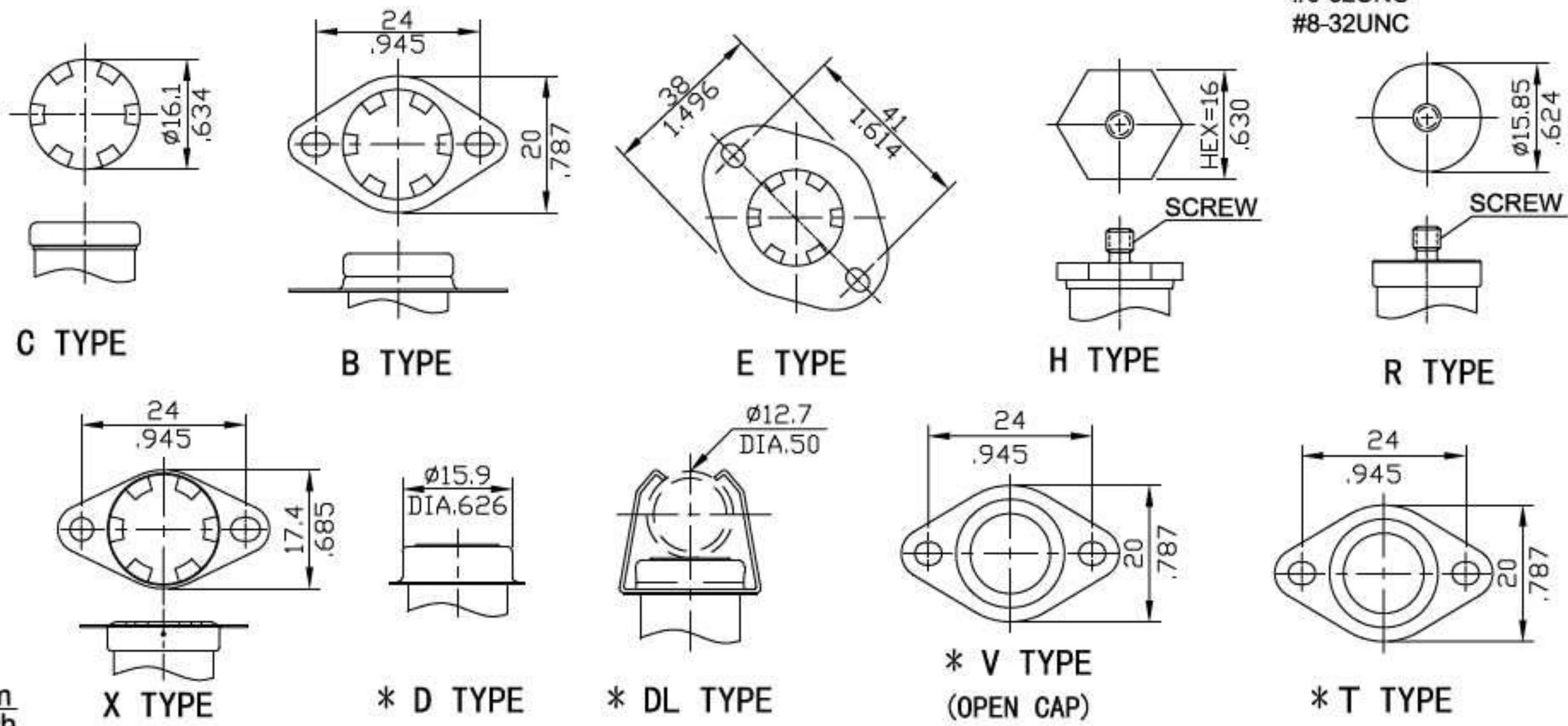
• The Grade of Temp. Tolerance is "B", When The Operating Temp. is Over 106°C.

**(c) BRACKET TYPE :**

**• FIXED BRACKET**

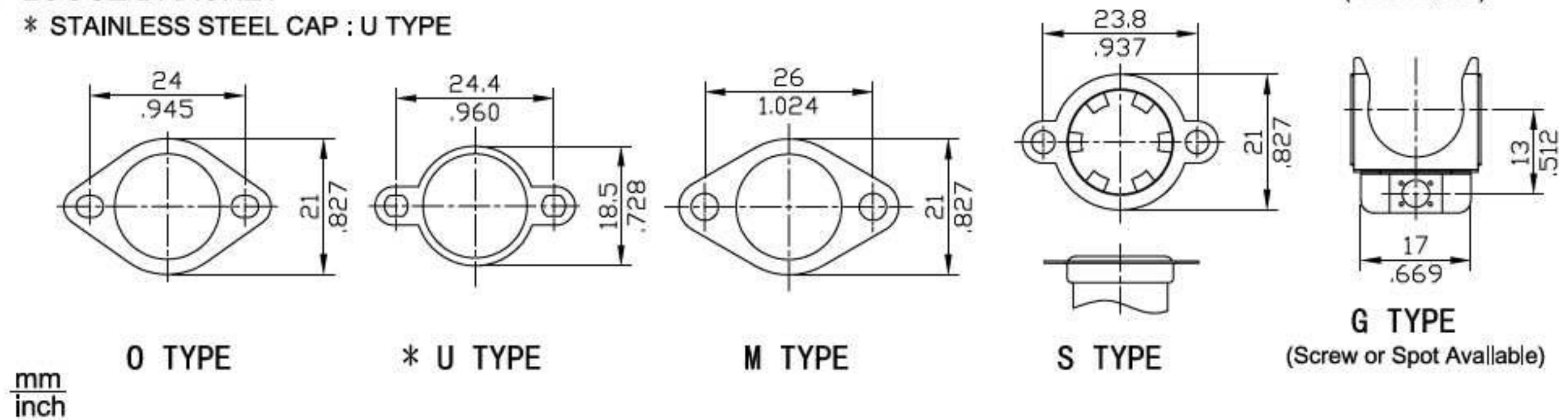
\* STAINLESS STEEL CAP : D,DL,V,T TYPE

SCREW TYPE : M4x0.7 L:6mm (STD)  
M5x0.8 L:6mm (STD)  
#6-32UNC  
#8-32UNC

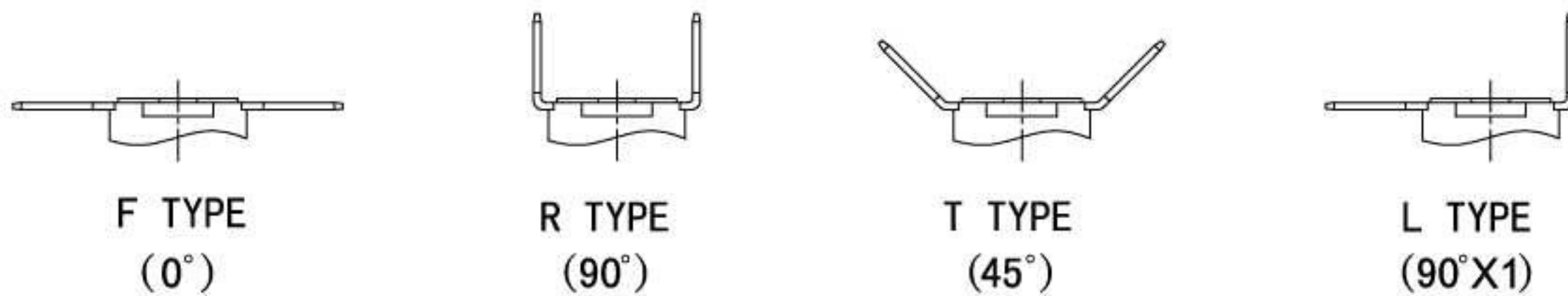


**• LOOSE BRACKET**

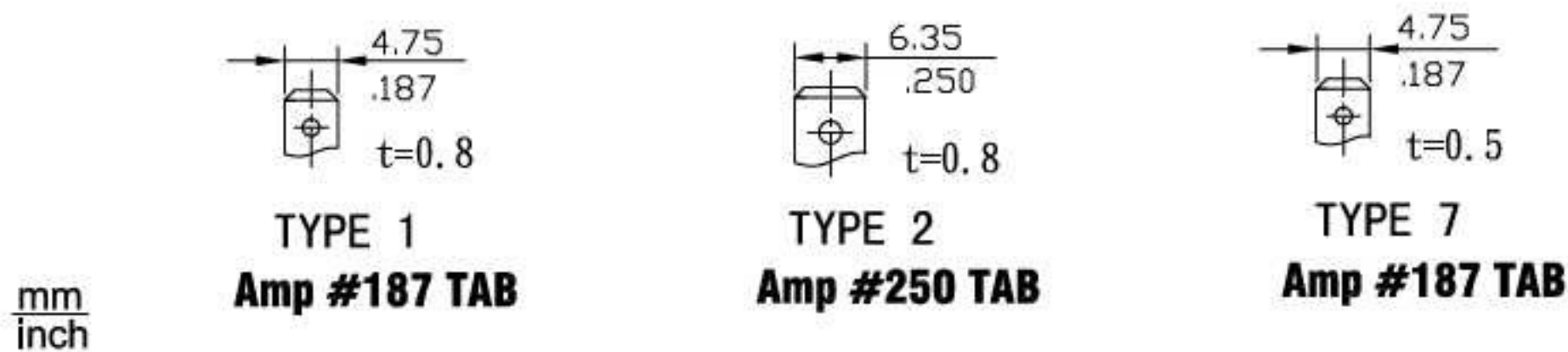
\* STAINLESS STEEL CAP : U TYPE



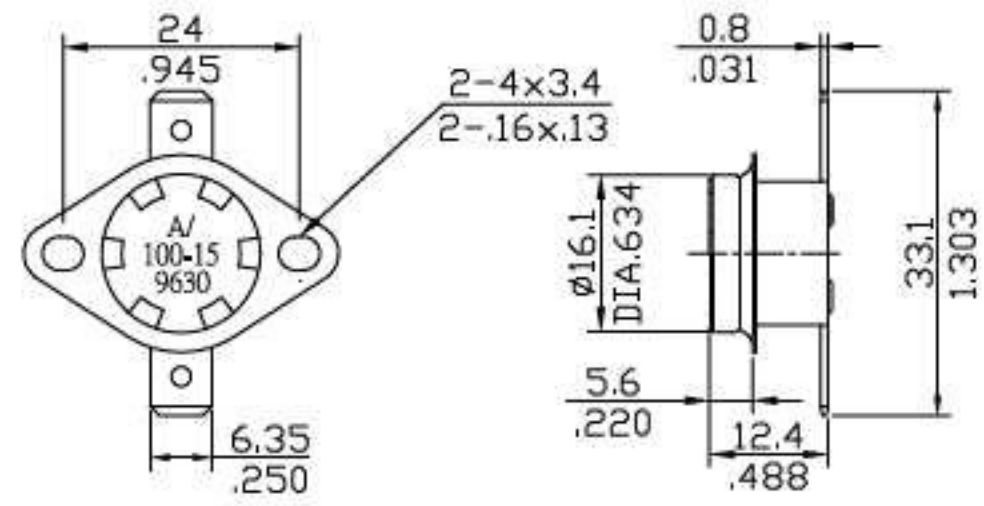
**(d) TERMINAL ORIENTATION:**



**(e) TERMINAL SIZE:**

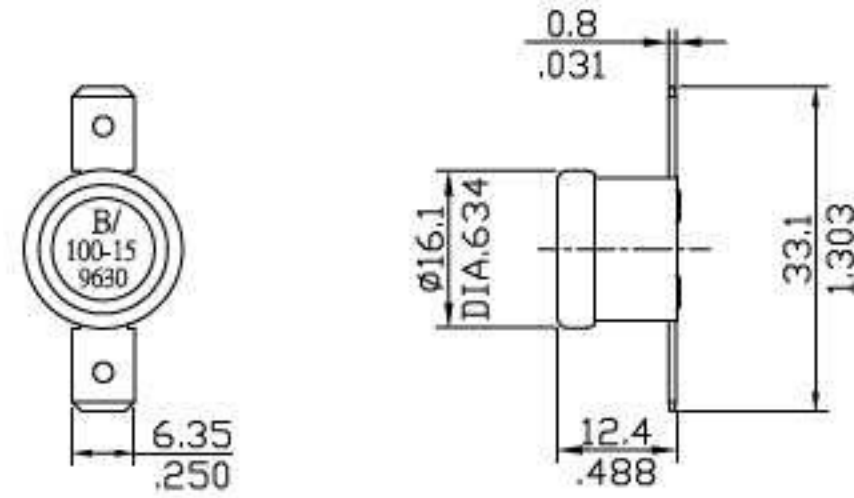


4A-BF2



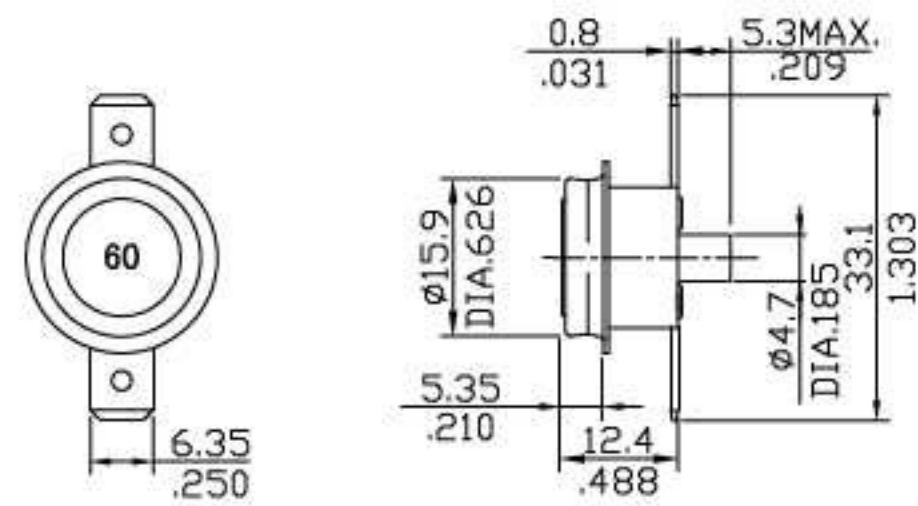
mm  
inch

4B-CF2



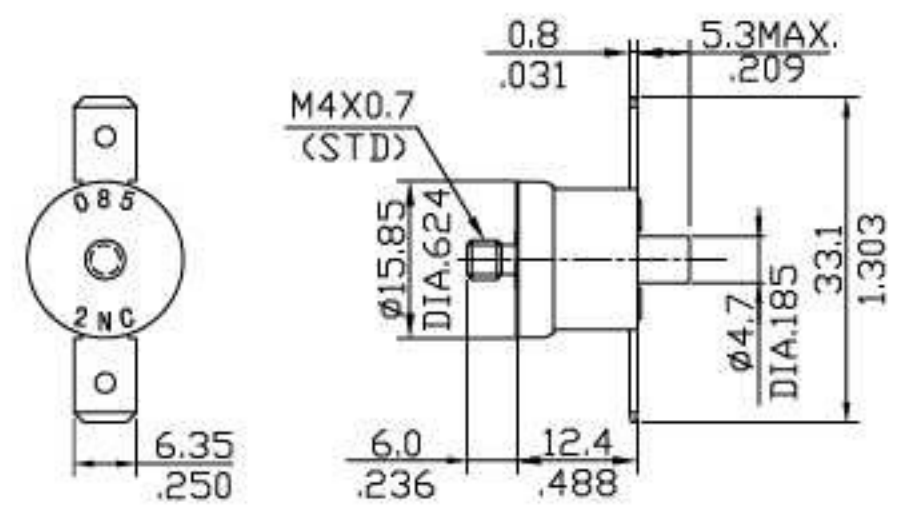
mm  
inch

4M-DF2



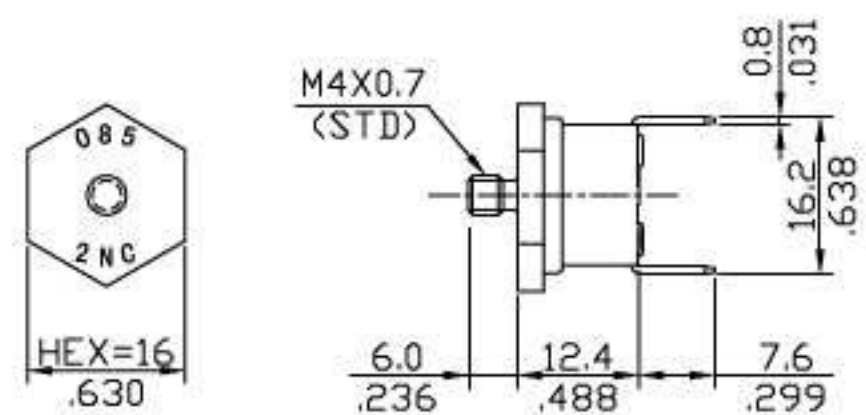
mm  
inch

4M-RF2



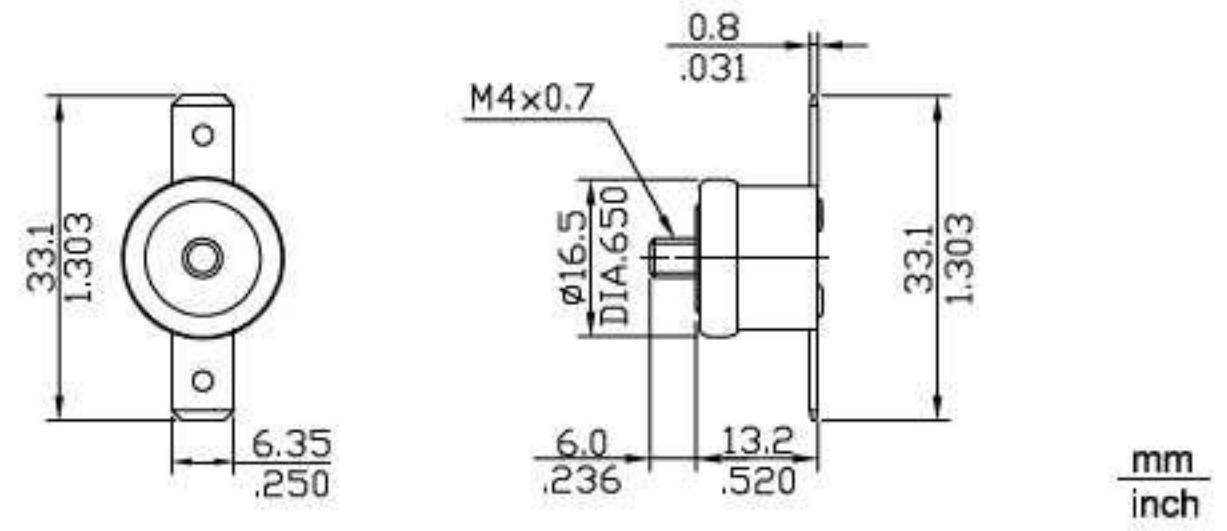
mm  
inch

4A-HR1

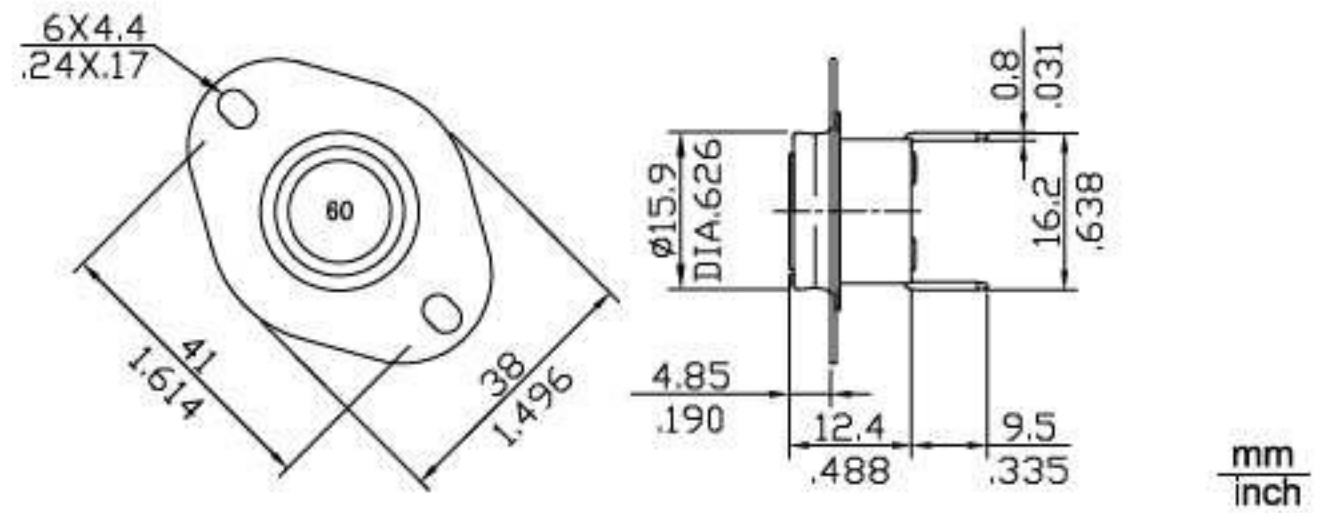


mm  
inch

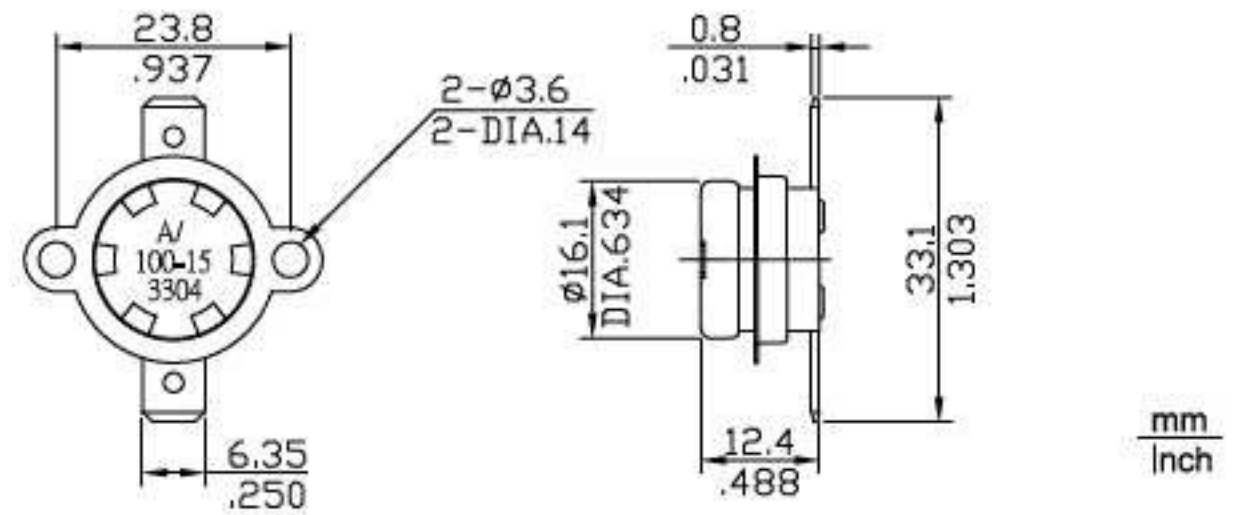
**4A-RF2-A**



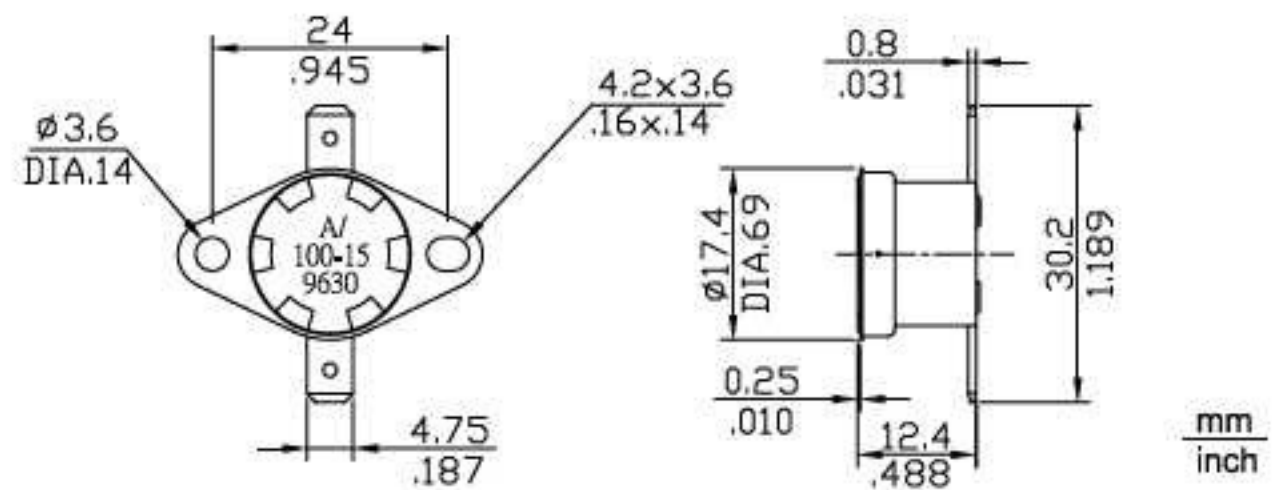
**4A-DR2-E**



**4A-SF2(LOOSE BRACKET)**



**4A-XF1(FIX BRACKET)**



**4A-BF2-V(OPEN CAP)**

