

Customer:

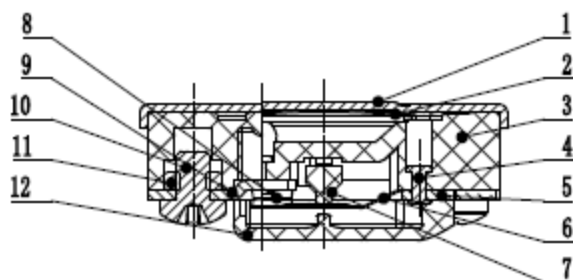
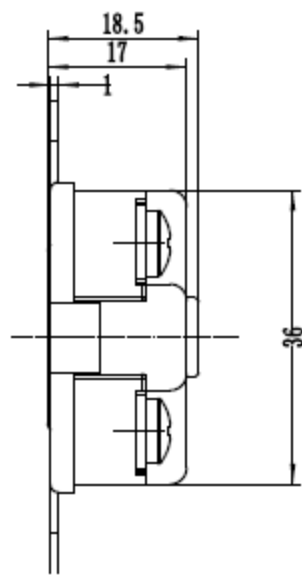
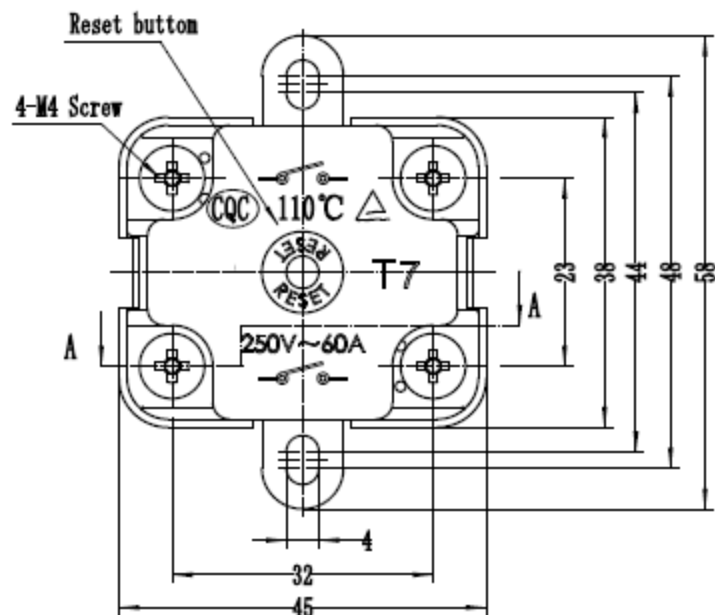
A

B

C

D

E



Marking



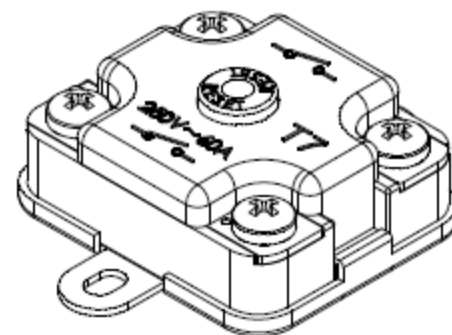
## Specification

- Standards According: GB14536.1-2008, GB14536.10-2008, GB/T22687-2008, IBC60730-1, IBC60730-2-9;
- Rating: 250V AC 60A;
- Resistance between terminals: below 50mΩ at DC5V/0.25A (initial figure);
- Insulated resistance: above 100MΩ with DC500V between terminals and cap;
- Dielectric strength: AC1500V for 1 minute between terminals and cap without breakdown;
- Heat resistant: 160°C;
- The product meet with the orders of 2011/65/EU RoHS and the orders of 1907/2006/EC REACH;
- Packing: 1 box=500pcs=100pcs×5 Box, Box size: 470×340×220mm;
- the measurements no marking toolerance, chose the free tolerance from below table.

## free tolerance table

Measurement range	0~9	9.1~16	16.1~30	>30
tolerance value	±0.2	±0.3	±0.4	±0.5

Type	Off Temp. (°C)	On Temp. (°C)	Contact State	Obtained standard and Electrical parameters	Remark
T7-110/SM11	110±4°C	--	N.C	CQC 250V~60A(13002091087) TuV 250V~60A(R50256977)	



12	Cover	PF	1	
11	M4 Nut	Steel	4	
10	M4 Screw	Steel	4	
9	Stationary arm	Brass	2	
8	Movable Contact	AgNi/Cu(T2)	4	
7	Reset Pin	PF	1	
6	Movable arm	Alloy copper	2	
5	Tab	Brass	2	
4	Rivet	Steel	4	Tin plated
3	Case	PF	1	
2	Bimetal Disc	Bimetal	1	
1	Cap	Aluminium	1	
No.	Parts Name	Material	Qty.	Remark

Designed	Li Zhongcai 20150526	Snap Action Thermostat	SN: 20150526-03			
Reviewed			Sample	Qty.	Weight	Proportion
Centersign		T7	絃緯科技			
Approved						

F

Old No.

Base No.

Signature

Date

1

2

3

4

5

6

7

8