

SPECIFICATIONS

RATING : 5-24V / 1A DC

OPERATING LIFE : 50 MILLION CYCLE MIN.

CONTACT RESISTANCE : 1Ω MAX.

OPERATING TEMPERATURE: -20°C to 65°C.

MATERIALS

BUSHING: Aluminum alloy / Stainless steel.

CAP : PC ; Aluminum alloy / Stainless steel.

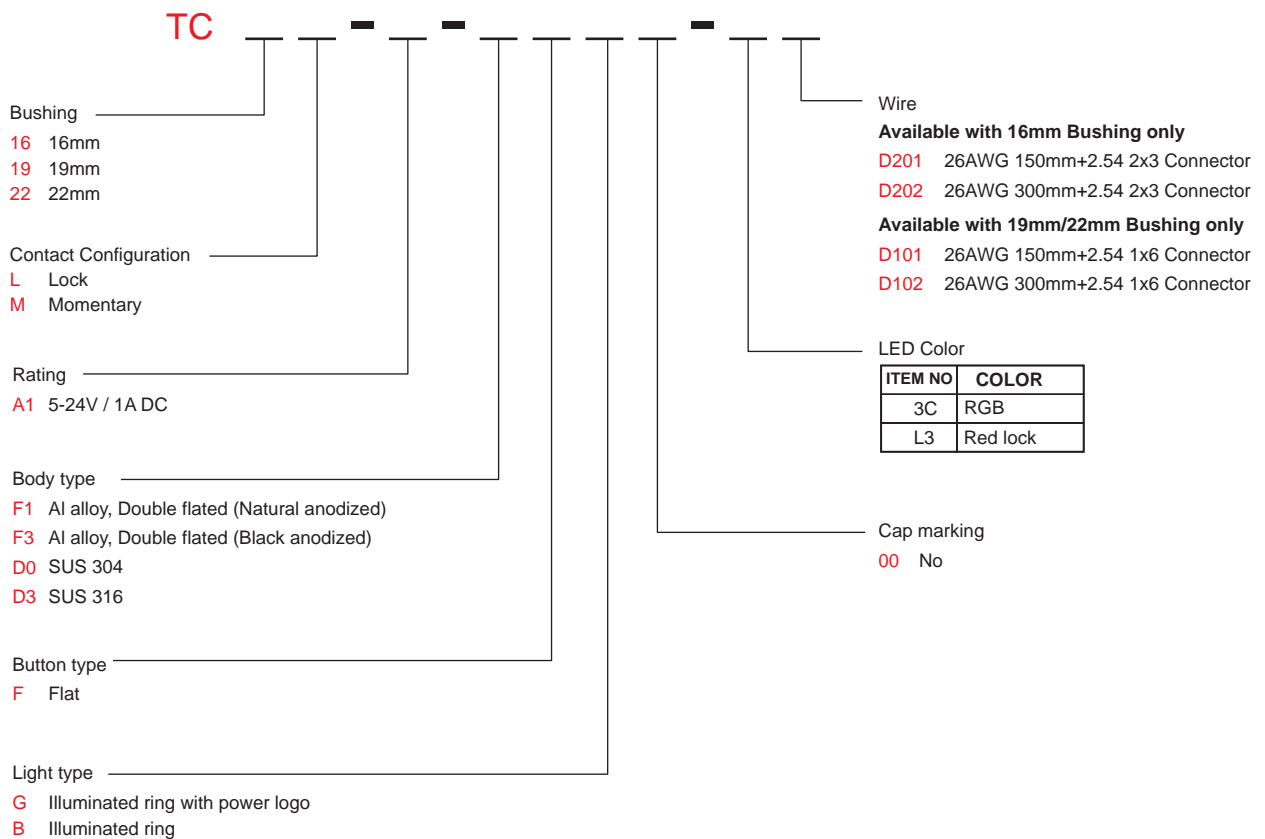
SEALING : Silicone,EPOXY.

O-RING: Silicone.

HEX NUT : Nickel plated brass.



HOW TO ORDER



EXAMPLE:

TC16M-A1-F1FG00-3CD201

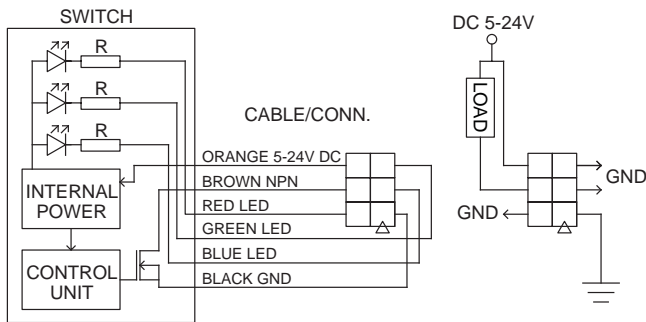
TC19M-A1-F1F□00-3CD101

Light type Wire

CIRCUIT

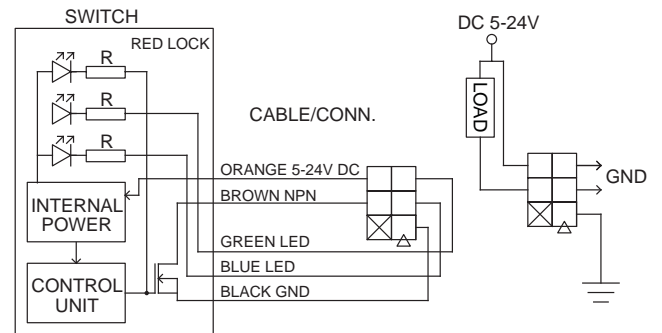
3C color led application diagram

Available with 16mm Bushing only



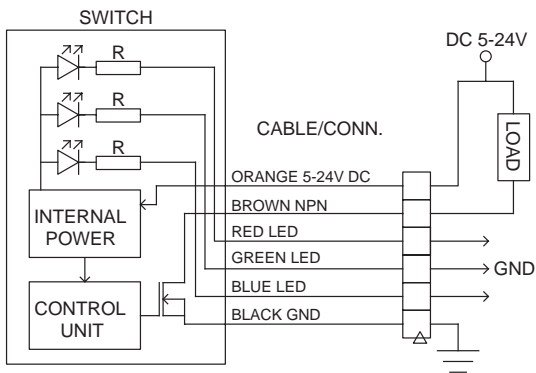
L3 color led application diagram

Available with 16mm Bushing only



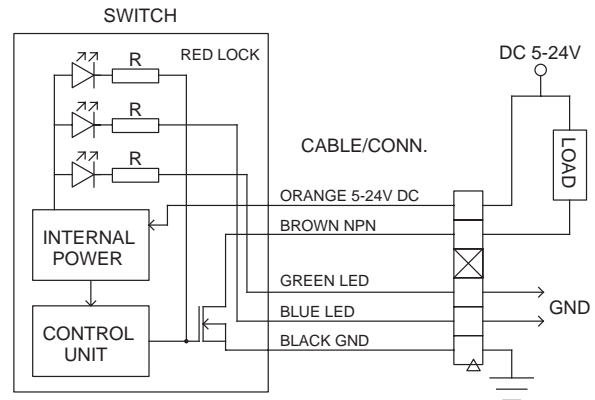
3C color led application diagram

Available with 19mm/22mm Bushing only



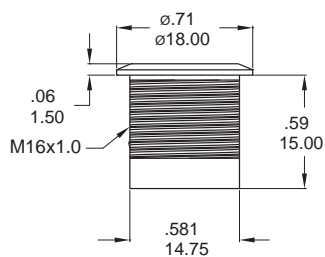
L3 color led application diagram

Available with 19mm/22mm Bushing only

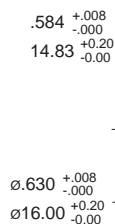


BUSHING

16mm

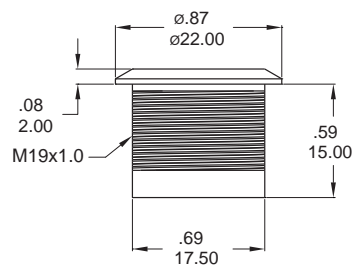


PANEL CUTOUT

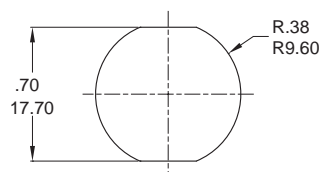


Max. Panel thickness: 8.0mm [.315] (Max.)

19mm

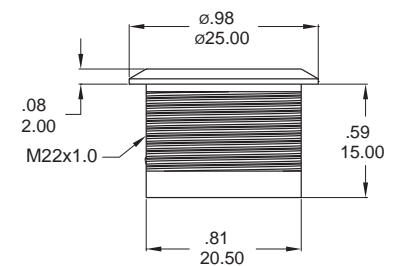


PANEL CUTOUT

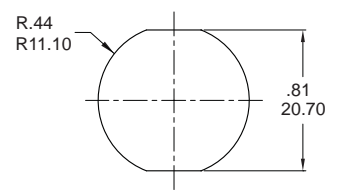


Max. Panel thickness: 10.0mm [.394]

22mm



PANEL CUTOUT



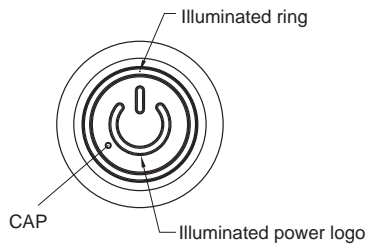
Max. Panel thickness: 10.0mm [.394]

TC

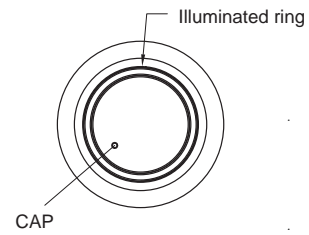
Capacitive switches

LIGHT TYPE

G Illuminated Ring with Power logo

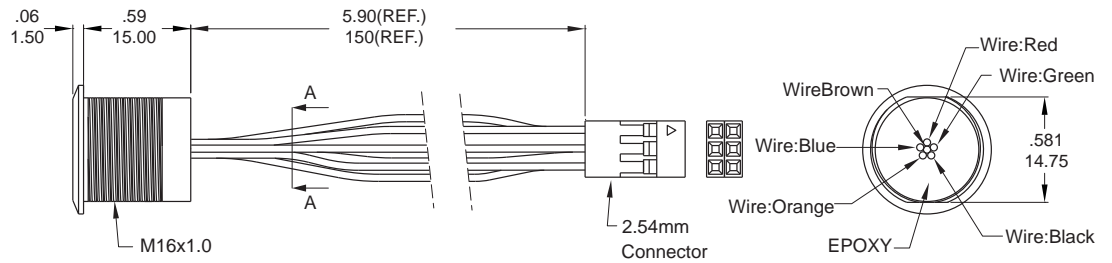


B Illuminated Ring



BUSHING

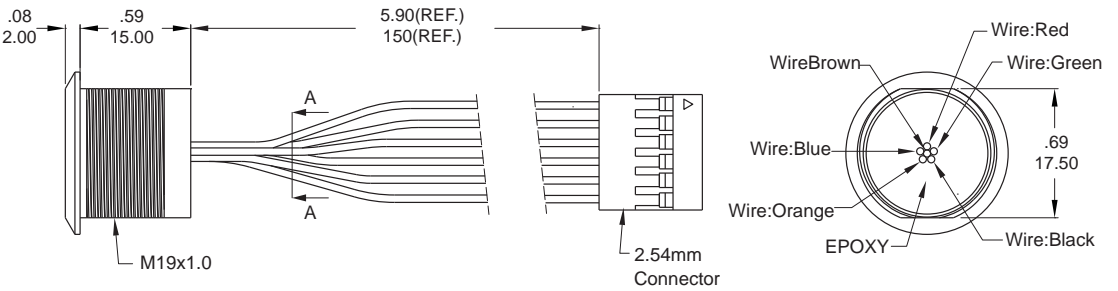
TC16



Part No. Shown :
TC16□-A1-F1FB00-3CD201

SECTION A-A

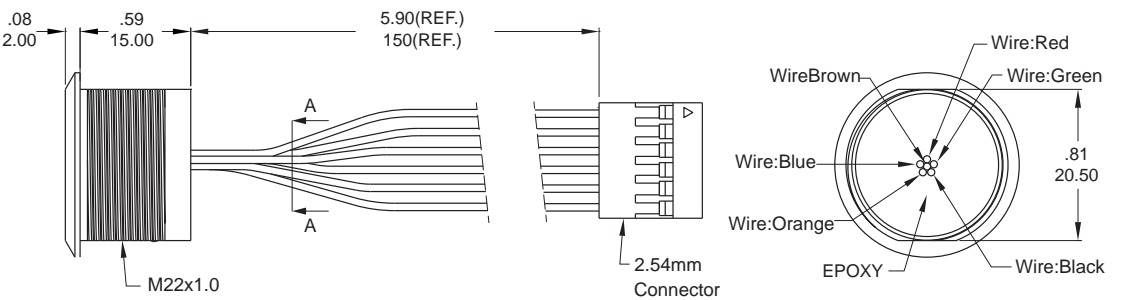
TC19



Part No. Shown :
TC19□-A1-F1FG00-3CD101

SECTION A-A

TC22



Part No. Shown :
TC22□-A1-F1FG00-3CD101

SECTION A-A