

Micro switch TTM Series

TTM Series Micro Switch



Features

Compact detector switches for micro-current circuit.

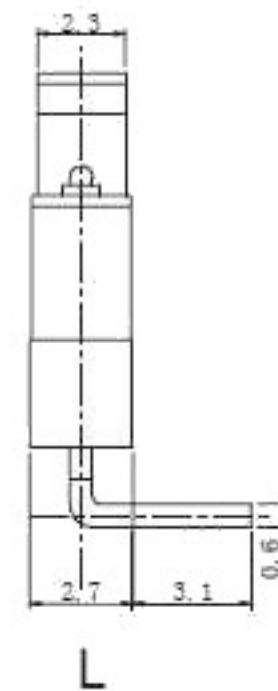
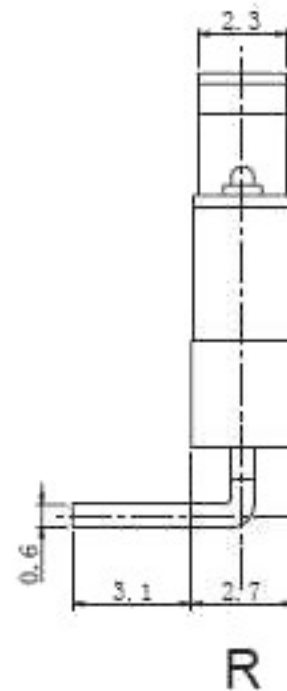
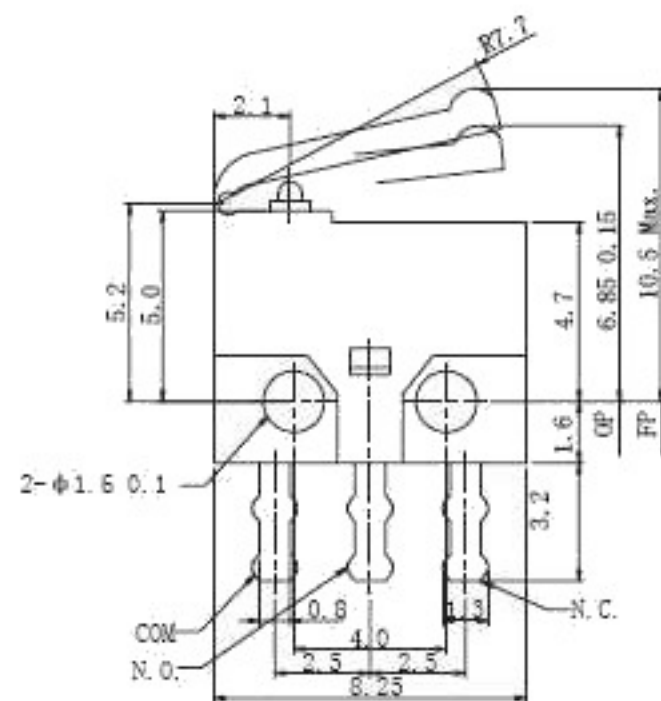
Applications :

Compact audio products, office machines, compact radio equipments, VCRs, video camera recorders, etc.

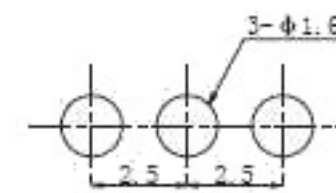
Specifications

Rating	500mA 12VDC	Mechanical Life	30,000 cycles
Contact Resistance	100mΩ Max.	Electrical Life.	20,000 cycles
Insulation Resistance	>100MΩ DC250V	Ambient Temper. Used	-25°C to 85°C
Withstand Voltage	AC500V 1min.	Ambient Humidity Used	<85% RH
Soldering Temper.	260 ±5°C 3s	Operating Force	50gf Max.

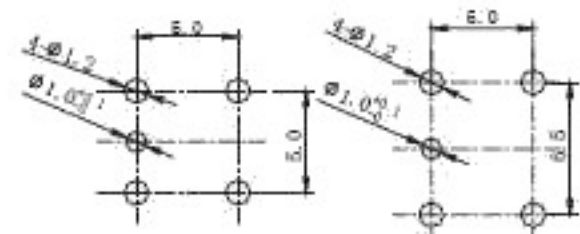
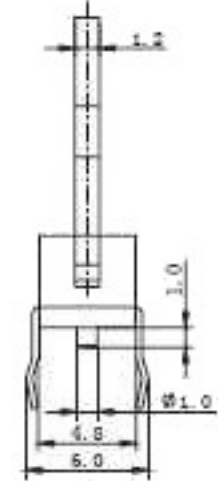
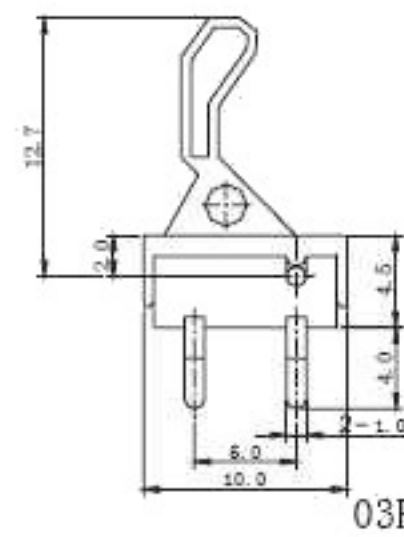
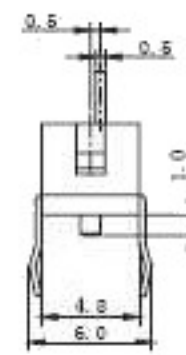
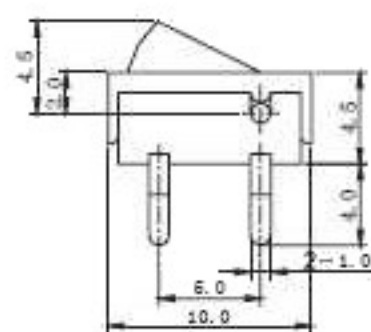
TTM-00P/L/R-30



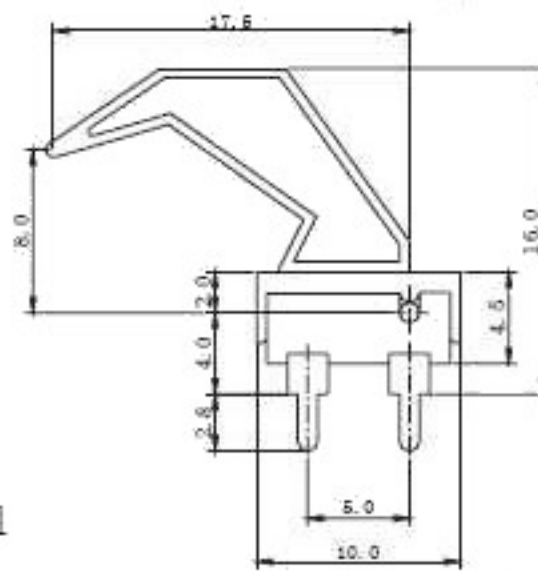
P.C.B mounting hole detail



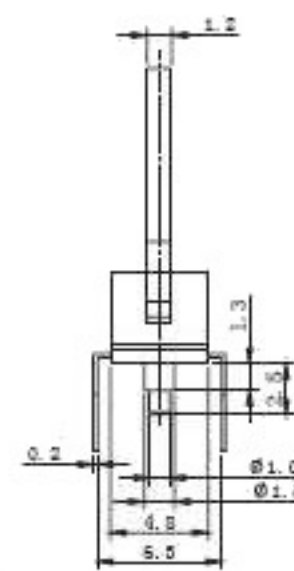
TTM4-01/02/03/04P



P.C.B mounting hole detail



02P



04P

