



Piezo switches (Pulse)

SPECIFICATIONS

RATING : 5-24VADC/1A PULSE MODE.

OPERATING LIFE : 50 MILLION CYCLE MIN.

CONTACT RESISTANCE : 1Ω MAX.

OPERATING TEMPERATURE: -20°C to 65°C.

MATERIALS

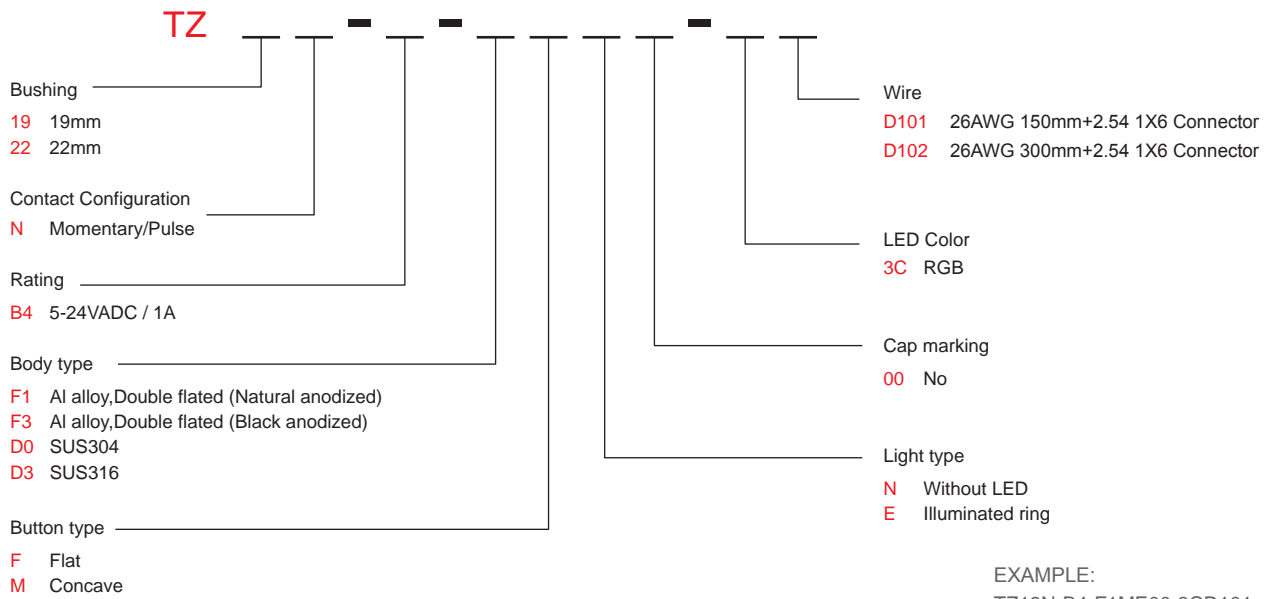
BUSHING: Aluminum alloy / Stainless steel.

SEALING : Silicone,EPOXY.

HEX NUT : Nickel plated brass.

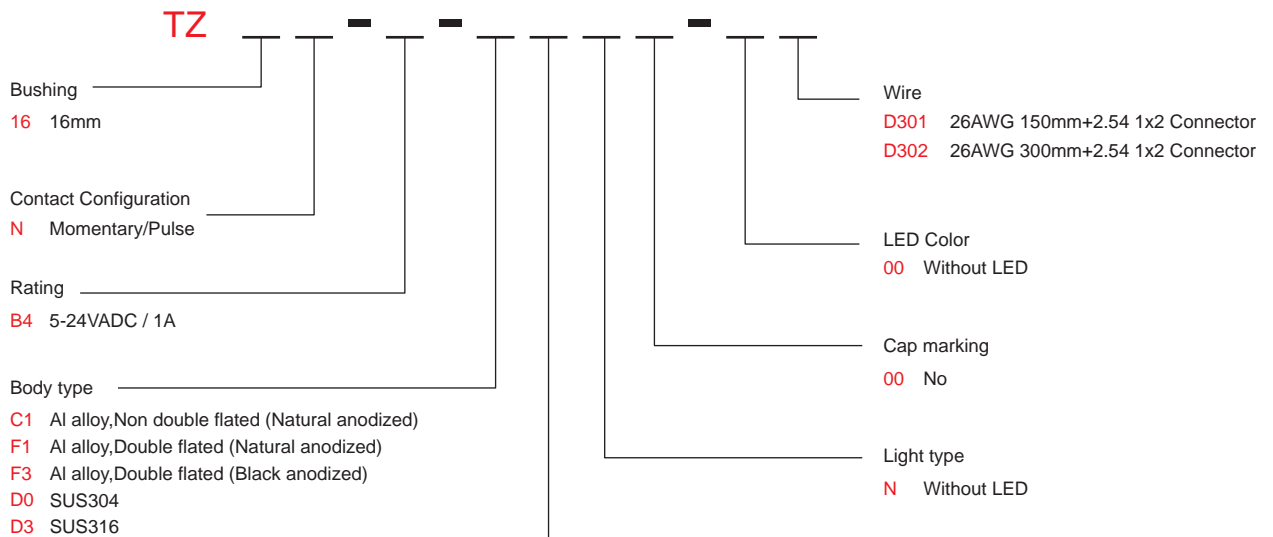


HOW TO ORDER



EXAMPLE:
TZ19N-B4-F1ME00-3CD101
Wire

HOW TO ORDER

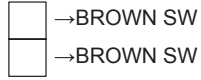


EXAMPLE:
TZ16N-B4-C1HN00-00D301
Wire

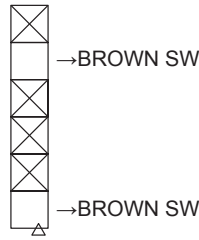
CIRCUIT

00 Without led application diagram

Available with 16mm Bushing only

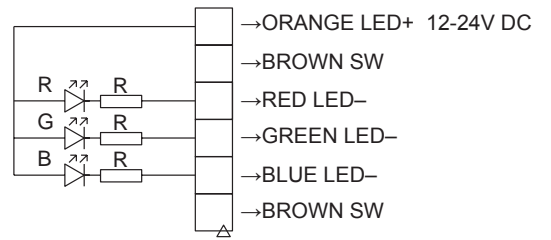


Available with 19mm/22mm Bushing only



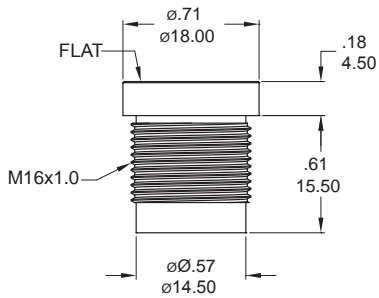
3C Color led application diagram

Available with 19mm/22mm Bushing only

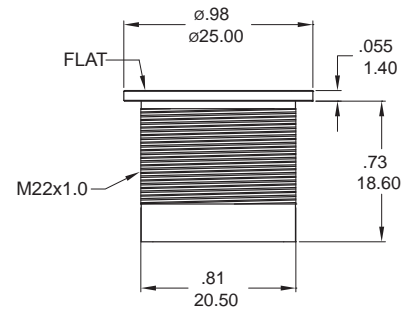
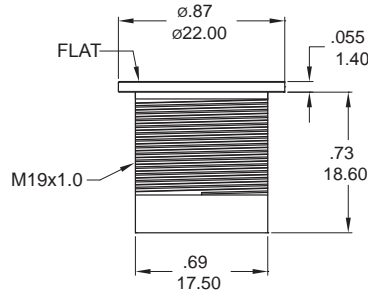


BUSHING

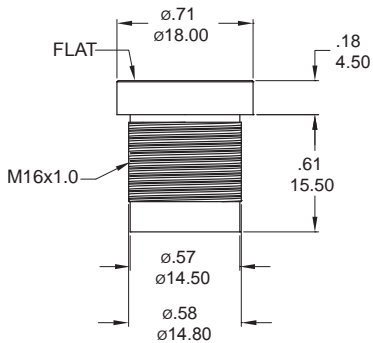
F Flat button type Non double flated



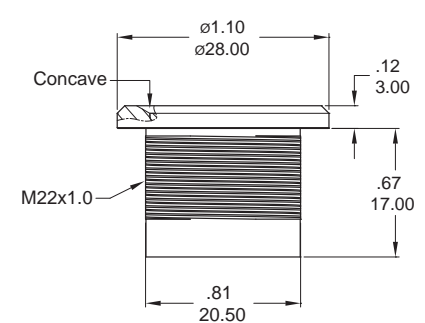
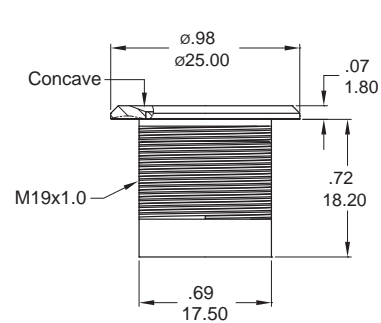
F Flat button type Double flated



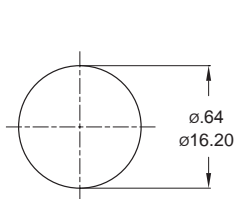
F Flat button type Double flated



M Concave button type Double flated

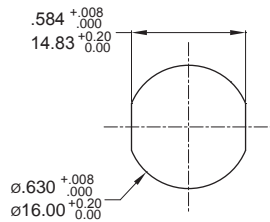


PANEL CUTOUT

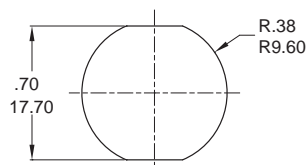


Non double flated

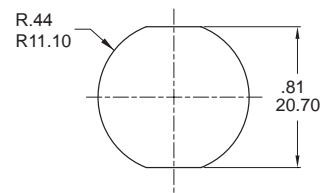
Available with 16mm Bushing only
Max.Panel thickness:8.0mm[.315](Max.)



Double flated



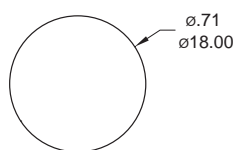
Available with 19mm Bushing only
Max.Panel thickness:10.0mm[.394]



Available with 22mm Bushing only
Max.Panel thickness:10.0mm[.394]

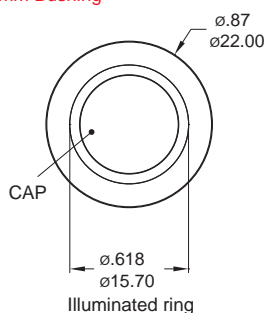
CIRCUIT

F Flat button type (Without led)

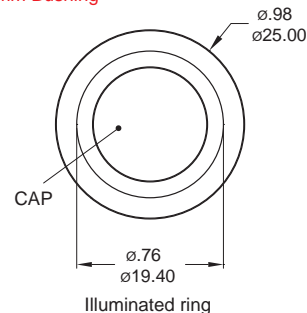


F Flat button type (Illuminated ring)

19mm Bushing

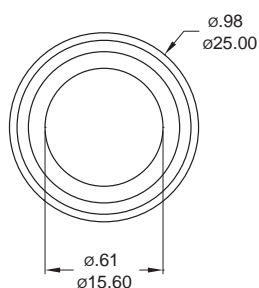


22mm Bushing

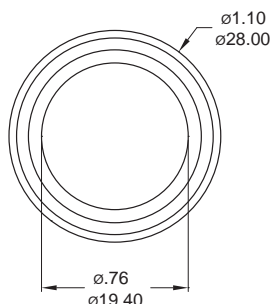


M Concave button type (Without led)

19mm Bushing

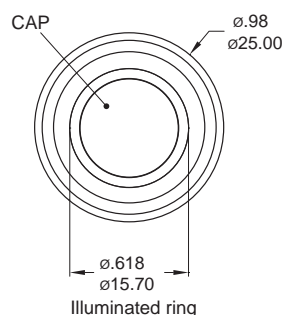


22mm Bushing

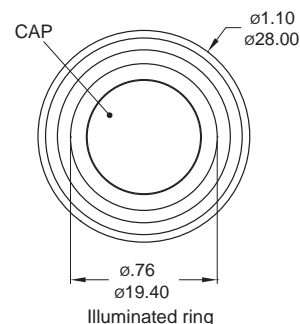


M Concave button type (Illuminated ring)

19mm Bushing

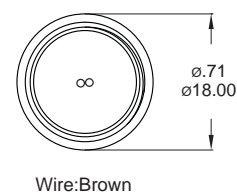
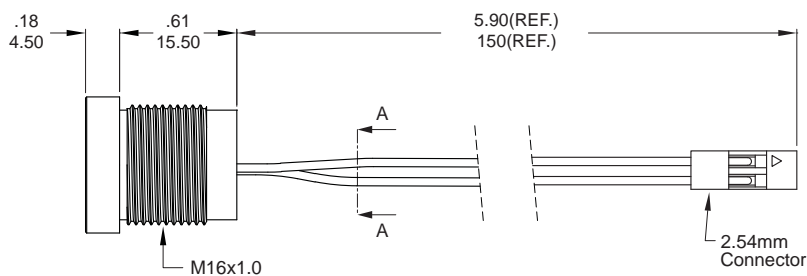


22mm Bushing



WIRE

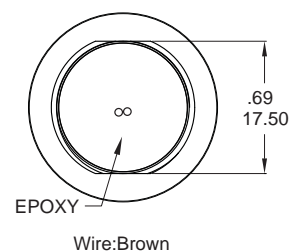
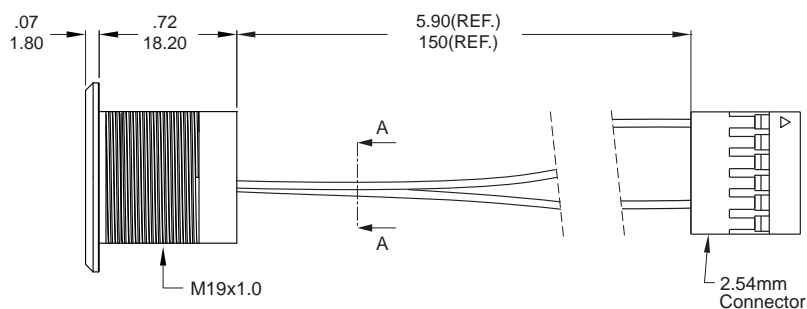
F Flat, Without led



Part No. Shown :
TZ16N-B4-C1HN00-00D301

SECTION A-A

M Concave, Without led

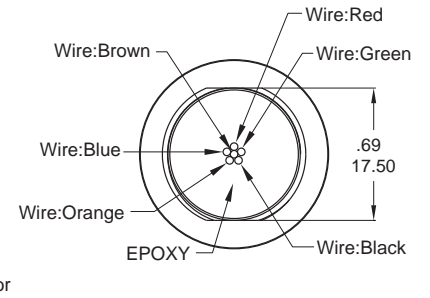
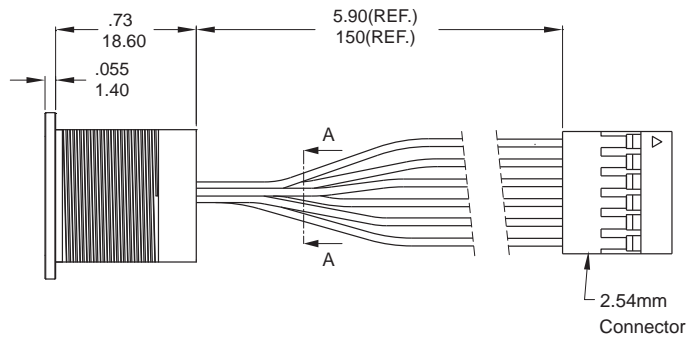


Part No. Shown :
TZ19N-B4-F1MN00-00D101

SECTION A-A

Piezo switches (Pulse)

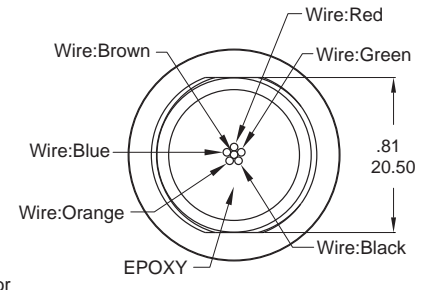
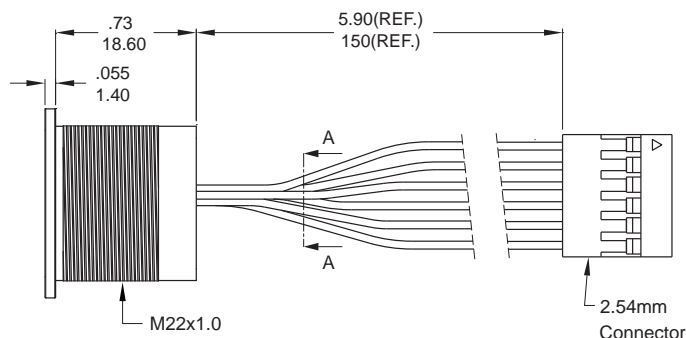
F Flat,Illuminated ring



Part No. Shown :
TZ19N-B4-F1FE00-3CD101

SECTION A-A

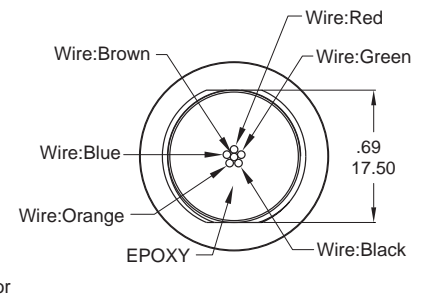
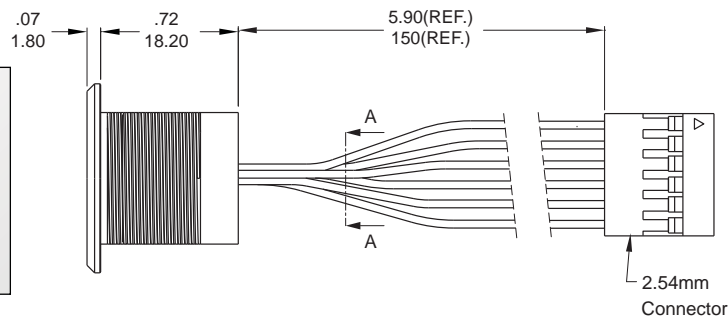
F Flat,Illuminated ring



Part No. Shown :
TZ22N-B4-F1FE00-3CD101

SECTION A-A

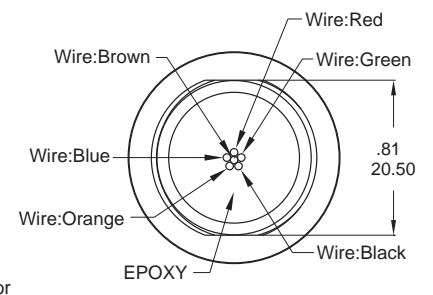
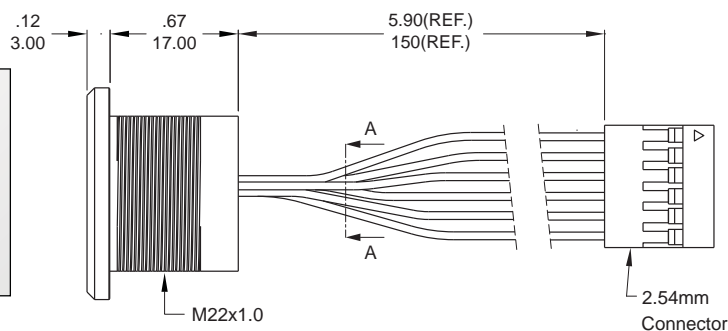
M Concave,Illuminated ring



Part No. Shown :
TZ19N-B4-F1ME00-3CD101

SECTION A-A

M Concave,Illuminated ring



Part No. Shown :
TZ22N-B4-F1ME00-3CD101

SECTION A-A