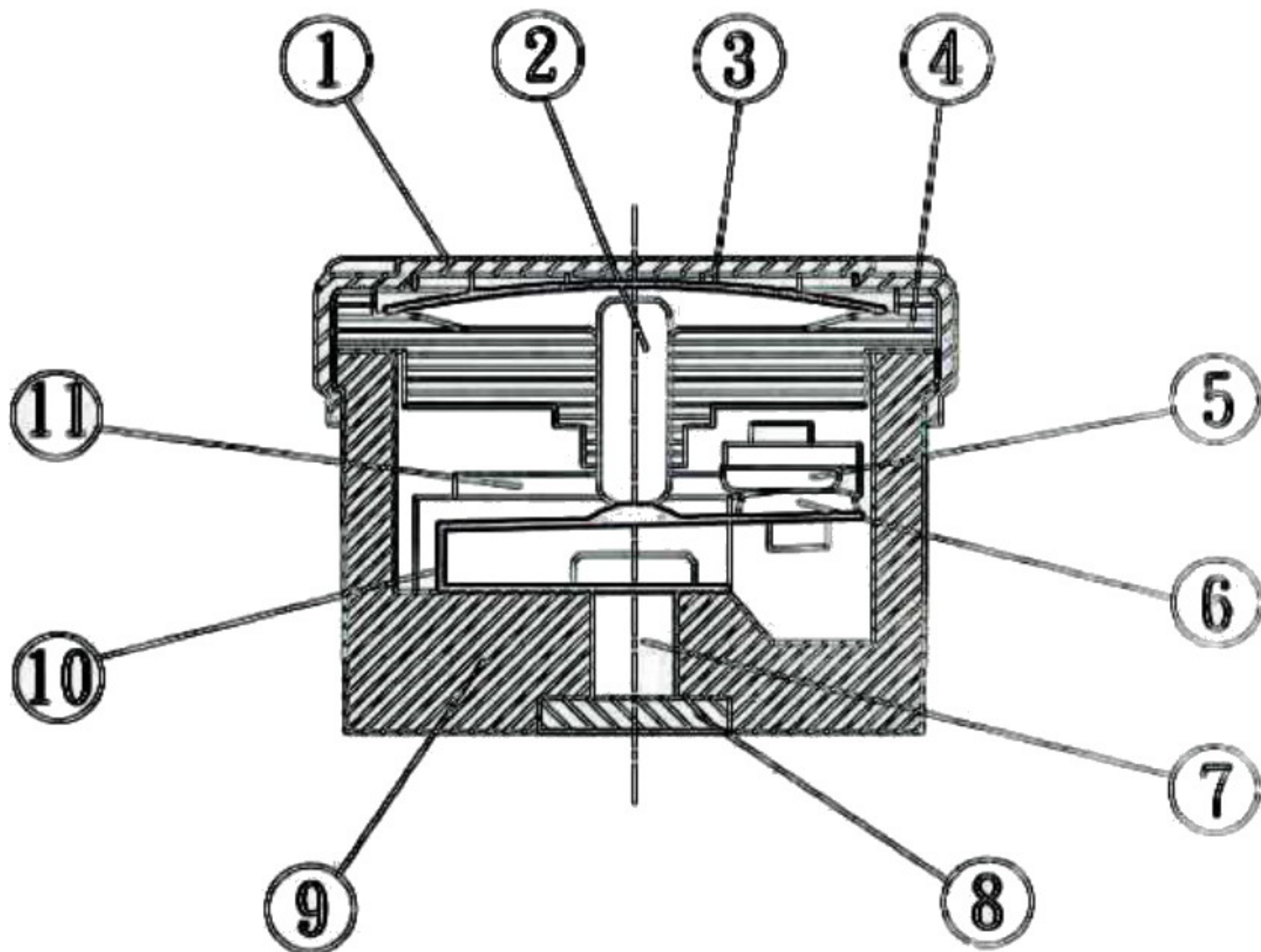


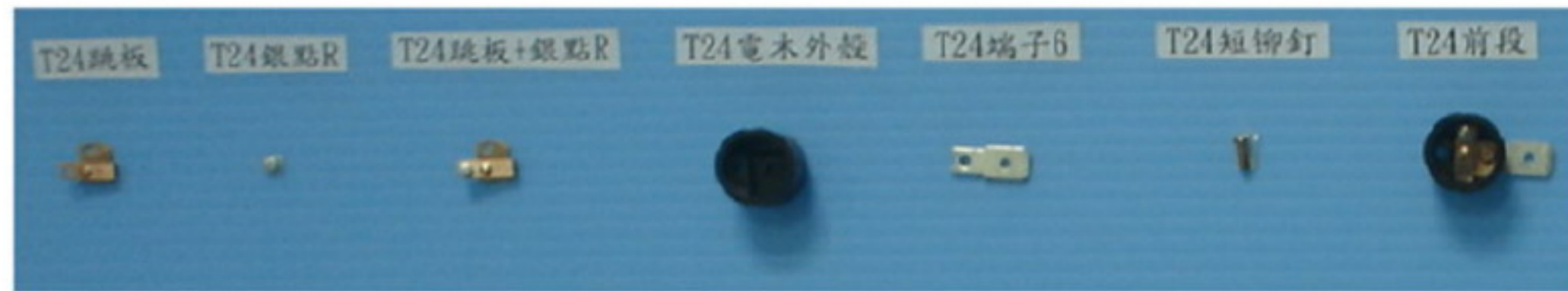
# Thermostat Internal Structure



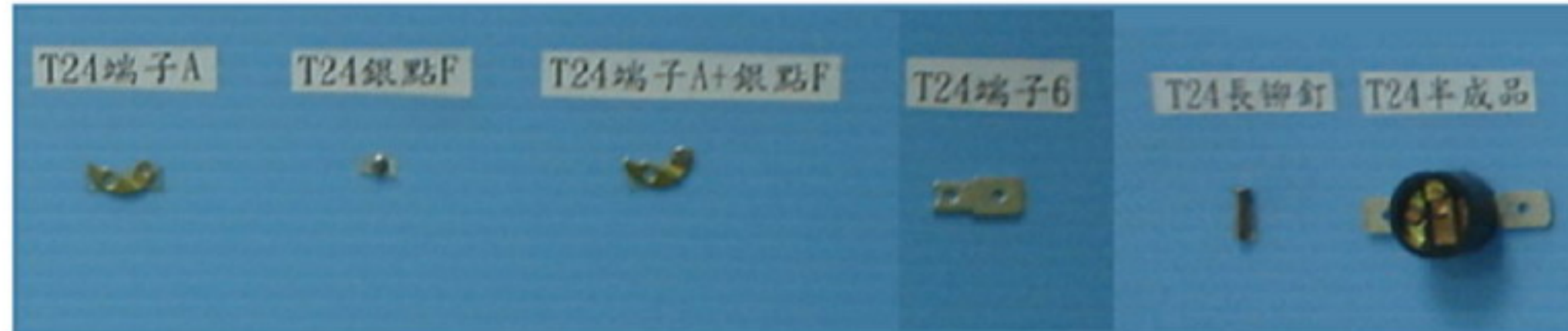
	<b>Component</b>	<b>Material</b>
1	Cap	Aluminum/Stainless Steel
2	Actuating Pin	Ceramic
3	Bimetal Disc	Bimetal
4	Retainer	Phenolic/PPS
5	Silver Contact F	Silver Alloy
6	Silver Contact R	Silver Alloy
7	Rivet	Brass Alloy
8	Terminal	Brass tin plated
9	Case	PF/PPS/Ceramic
10	Movable Arm	Beryllium Copper
11	Stationary Arm	Brass

## T24 processing structure

### Stage I



### Stage II

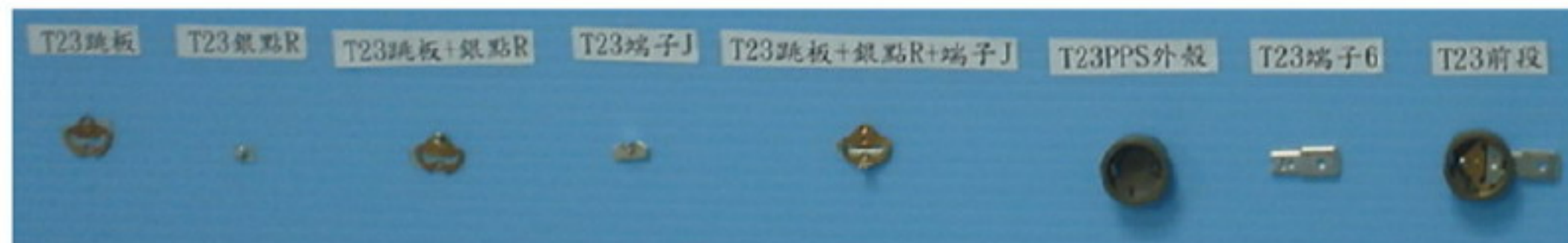


### Stage III



## T23 processing structure

### Stage I



### Stage II



Glue on rivet

### Stage III

